



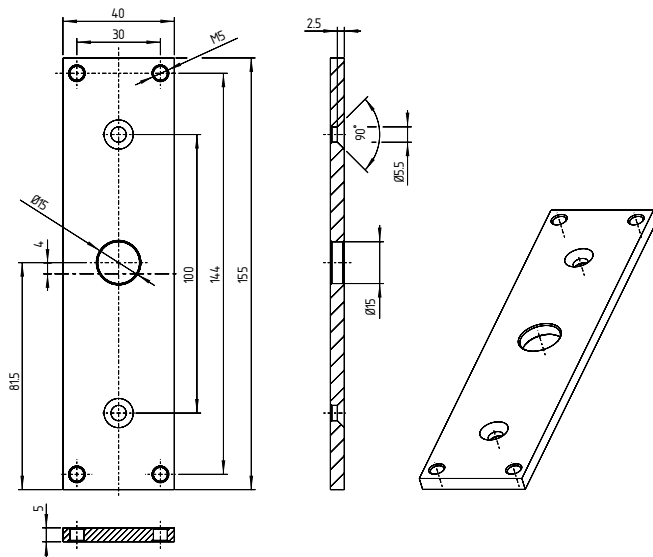
EN Operating instructions. Page 1
Original

Mounting plates for AZM150

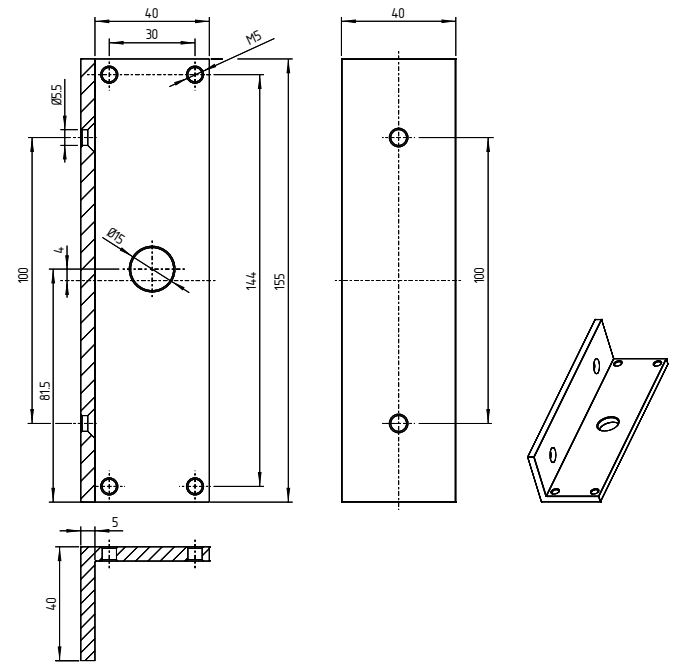
The mounting plates shown are for attachment of the AZM150 solenoid interlock to standard profile rails with a width of 40 mm.

4 M5x45 screws with a strength class of at least 5.6 must be used to mount the solenoid interlock.

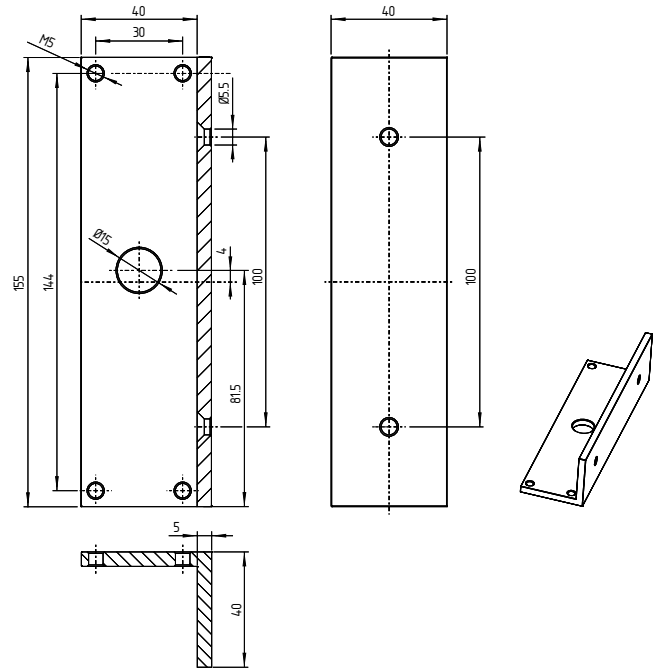
MP-AZM150-1



MP-AZM150-2R
Angled mounting plate for right hinged doors



MP-AZM150-2L
Angled mounting plate for left hinged doors



K.A. Schmersal GmbH & Co. KG
Mödinghofe 30, 42279 Wuppertal
Germany
Phone: +49 202 6474-0
Telefax: +49 202 6474-100
E-Mail: info@schmersal.com
Internet: www.schmersal.com