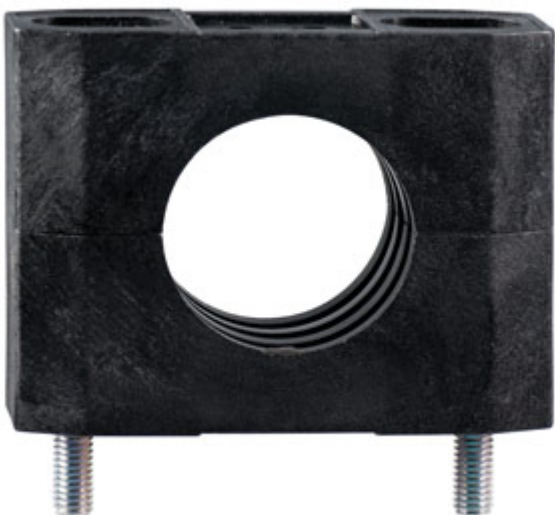


Datasheet - MOUNTING CLAMP H 30

Mounting accessories / MOUNTING CLAMP H4, H6.5, H12, H18, H20, H30, H40



- For a smooth fitting of the proximity switches with cylindric shape \varnothing 30 mm or thread M30

(Minor differences between the printed image and the original product may exist!)

Ordering details

Product type description	KLEMMSCHELLE H 30
Article number	101068520
EAN code	4030661105307
eCl@ss	27-27-92-02

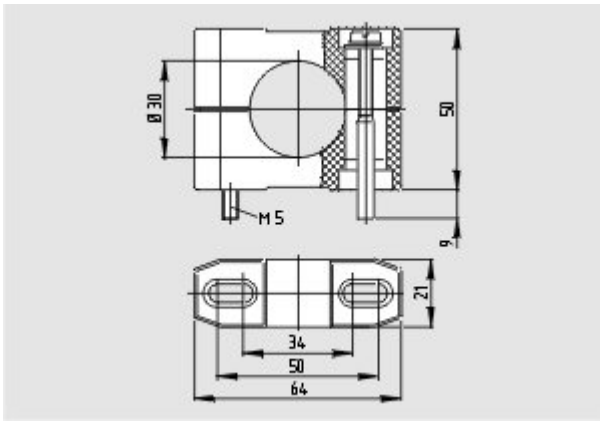
Global Properties

Product name	Klemmschelle
Materials	
- Material of the terminal fixing	thermoplastic
Weight	65 g

Dimensions

Dimensions	
- Width	64 mm
- Height	50 mm
- Depth	21 mm
Mounting clamp \varnothing	30 mm (M30)

Images



Dimensional drawing (basic component)

K.A. Schmersal GmbH & Co. KG, Möddinghofe 30, D-42279 Wuppertal

The data and values have been checked thoroughly. Technical modifications and errors excepted.

Generiert am 18.07.2016 - 20:26:02h Kasbase 3.2.4.F.64I