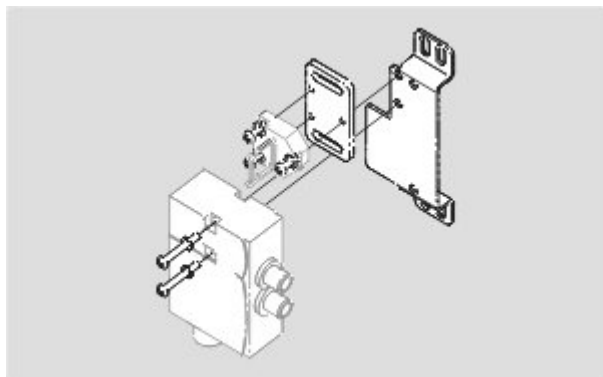


Datasheet - Mounting set MS AZM 170 P

Solenoid interlock / AZM 170 / Accessories AZM 170



Preferred typ



(Minor differences between the printed image and the original product may exist!)

Ordering details

Product type description	Montagebausatz MS AZM 170 P
Article number	101150367
EAN code	4030661287751
eCl@ss	27-27-92-91

Global Properties

Product name	Montagebausatz
Weight	210 g

Mechanical data

mounting	Mounting parallel to safety guard
----------	-----------------------------------

notice

The mounting sets can only be used in conjunction with actuator AZM 170-B6.

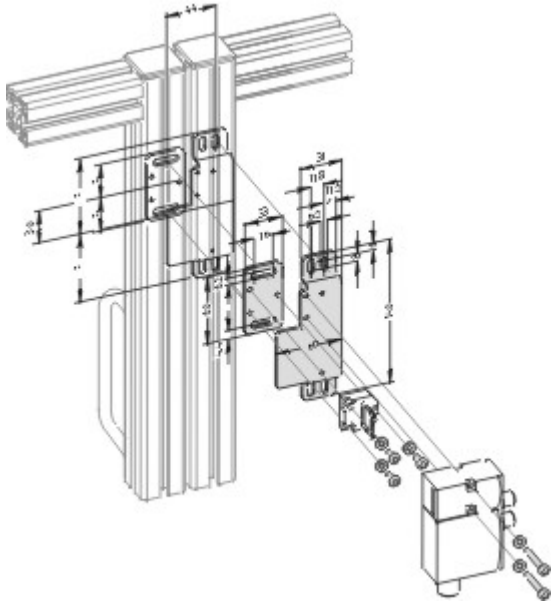
Included in delivery

Included in delivery

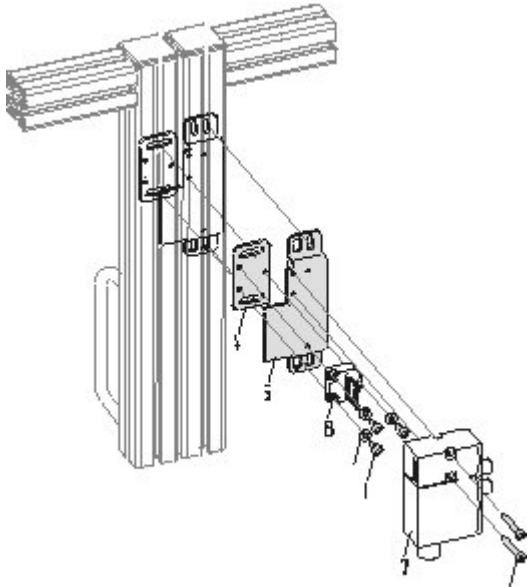
- Roundhead screw M 4 x 30 per ISO 7380
- Roundhead screw M 4 x 10 per ISO 7380
- Washer DIN 433-4,3
- U-profile AZM 170
- Mounting angle AZM 170
- Mounting plate AZ 17/AZM 170

Documents

Images



Dimensional drawing (miscellaneous)



Product graph (exploded-view drawing)