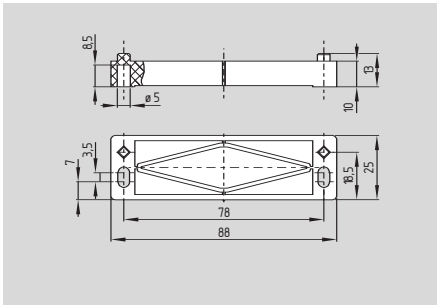


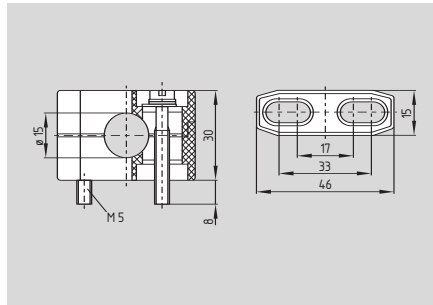
Magnetic reed switches

Spacer BN 31/33



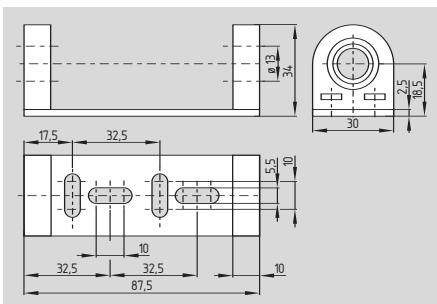
- To mount the magnetic safety sensor and actuator on ferromagnetic material

Terminal mounting H 15



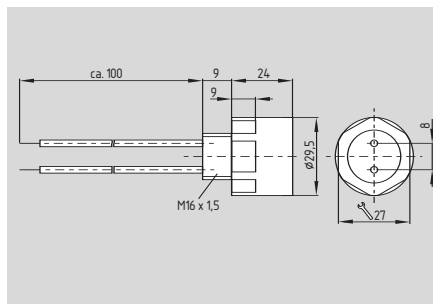
- For BN 65
- Material: thermoplastic

Holder H1/1



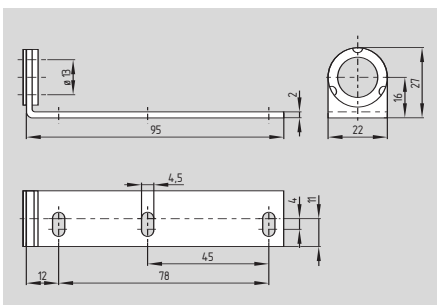
- For BN 65
- Metal holder with 2 elastic bearings
- Provides high resistance to vibration

Compensating coil KS 1



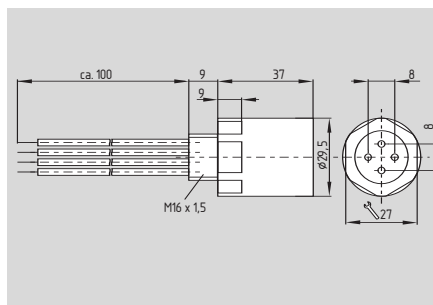
- Temperature range $-25\text{ }^{\circ}\text{C} \dots +90\text{ }^{\circ}\text{C}$
- For cable lengths up to 100 m
- Cable H05V-K 1 mm², cable length 100 mm
- The bucking coil is to be wired in series with the reed contact
- Version for high temperature $-25\text{ }^{\circ}\text{C} \dots +150\text{ }^{\circ}\text{C}$, ordering suffix -T

Holder H2



- For BN 65
- Metal holder with rubber washer

Compensating coil KS 2



- Temperature range $-25\text{ }^{\circ}\text{C} \dots +90\text{ }^{\circ}\text{C}$
- For cable lengths up to 200 m or 2 x 100 m
- Cable H05V-K 1 mm², cable length 100 mm
- The bucking coil is to be wired in series with the reed contact