



EN Operating instructions. pages 1 to 6
Original

CS Aktuální verzi návodu k použití ve vašem jazyce naleznete na www.schmersal.net.

DA På www.schmersal.net findes aktuelle betjeningsvejledninger på EU's officielle sprog.

ES Encontrará el manual de instrucciones actual en su idioma oficial de la UE en nuestra página de Internet www.schmersal.net.

FR Vous trouverez la version actuelle du mode d'emploi dans votre langue nationale officielle sur l'Internet, www.schmersal.net.

IT Il manuale d'istruzioni aggiornato nella vostra lingua (lingua ufficiale UE) è scaricabile in Internet all'indirizzo www.schmersal.net.

JP 日本語の取扱説明書は、インターネット (www.schmersal.net) からダウンロード出来ます。

NL U vindt de huidige versie van de gebruikshandleiding in uw officiële landstaal op het Internet, www.schmersal.net.

PL Tutaj znajdziesz aktualną wersję instrukcji obsługi w Twoim języku na stronie internetowej www.schmersal.net.

PT O manual de instruções actual, no seu idioma oficial da UE, encontra-se na nossa página de Internet www.schmersal.net.

SV På www.schmersal.net finner ni de aktuella versionerna av bruksanvisningen på EU's officiella språk.

Content

1 About this document

1.1 Function 1

1.2 Target group: authorised qualified personnel. 1

1.3 Explanation of the symbols used 1

1.4 Appropriate use 1

1.5 General safety instructions 1

1.6 Warning about misuse 2

1.7 Exclusion of liability 2

2 Product description

2.1 Ordering code 2

2.2 Special versions. 2

2.3 Purpose 2

2.4 Technical data 2

2.5 Classification 2

3 Mounting

3.1 General mounting instructions 3

3.2 Dimensions 3

3.3 Axial misalignment. 3

3.4 Adjustment. 3

4 Electrical connection

4.1 General information for electrical connection. 4

5 Configuration

5.1 Programming the slave address 4

5.2 Configuration of the safety monitor 4

6 Set-up and maintenance

6.1 Functional testing. 4

6.2 Maintenance 4

7 Disassembly and disposal

7.1 Disassembly. 4

7.2 Disposal 4

8 EU Declaration of conformity

1. About this document

1.1 Function

This operating instructions manual provides all the information you need for the mounting, set-up and commissioning to ensure the safe operation and disassembly of the safety switchgear. The operating instructions must be available in a legible condition and a complete version in the vicinity of the device.


1.2 Target group: authorised qualified personnel


All operations described in this operating instructions manual must be carried out by trained specialist personnel, authorised by the plant operator only.

Please make sure that you have read and understood these operating instructions and that you know all applicable legislations regarding occupational safety and accident prevention prior to installation and putting the component into operation.

The machine builder must carefully select the harmonised standards to be complied with as well as other technical specifications for the selection, mounting and integration of the components.

1.3 Explanation of the symbols used

 **Information, hint, note:**
This symbol is used for identifying useful additional information.

 **Caution:** Failure to comply with this warning notice could lead to failures or malfunctions.
Warning: Failure to comply with this warning notice could lead to physical injury and/or damage to the machine.


1.4 Appropriate use

The products described in these operating instructions are developed to execute safety-related functions as part of an entire plant or machine. It is the responsibility of the manufacturer of a machine or plant to ensure the correct functionality of the entire machine or plant.

The safety switchgear must be exclusively used in accordance with the versions listed below or for the applications authorised by the manufacturer. Detailed information regarding the range of applications can be found in the chapter "Product description".

1.5 General safety instructions

The user must observe the safety instructions in this operating instructions manual, the country specific installation standards as well as all prevailing safety regulations and accident prevention rules.

 Further technical information can be found in the Schmersal catalogues or in the online catalogue on the Internet: www.schmersal.net.

The information contained in this operating instructions manual is provided without liability and is subject to technical modifications.

There are no residual risks, provided that the safety instructions as well as the instructions regarding mounting, commissioning, operation and maintenance are observed.

1.6 Warning about misuse



In case of improper use or manipulation of the safety switchgear, personal hazards or damages to machinery or plant components cannot be excluded. The relevant requirements of the standard ISO 14119 must be observed.

1.7 Exclusion of liability

We shall accept no liability for damages and malfunctions resulting from defective mounting or failure to comply with this operating instructions manual. The manufacturer shall accept no liability for damages resulting from the use of unauthorised spare parts or accessories.

For safety reasons, invasive work on the device as well as arbitrary repairs, conversions and modifications to the device are strictly forbidden; the manufacturer shall accept no liability for damages resulting from such invasive work, arbitrary repairs, conversions and/or modifications to the device.

2. Product description

2.1 Ordering code

This operating instructions manual applies to the following types:

BNS 36 ①-AS-②

No.	Option	Description
①	STG	Connecting cable (2 m)
	STW	Connecting cable with M12 connector (straight):
		Connecting cable with M12 connector (angled):
②	L	Door hinge on left-hand side
	R	Door hinge on right-hand side

Actuator BPS 36-1 standard
BPS 36-2 mounting angle 90°

2.2 Special versions

For special versions, which are not listed in the order code below 2.1, these specifications apply accordingly, provided that they correspond to the standard version.

2.3 Purpose

The BNS 36 AS safety sensor is used in AS-Interface systems (to EN 62026-2) for monitoring the position of movable safety guards to ISO 14119. The combination of the BNS 36 AS safety sensor, the BPS 36-1/-2 actuator and the ASM safety monitor ensures the safe monitoring of the condition of the corresponding safety guard. To actuate the BNS 36 AS safety sensor, only the coded BPS 36-1/-2 actuators must be used.



The safety switchgears are classified according to ISO 14119 as type 4 switching devices.

The safety function of the BNS 36 AS consists in safely switching off the code transmission when the safety guard is opened and maintaining the safe switched off condition for as long as the safety guard is open.

An AS-Interface Safety at Work component functions on the basis of an individual code generator (8 x 4 bit). This safety code is cyclically transmitted over the AS-i network and monitored by the safety monitor.

The component status can be evaluated through a PLC with AS-Interface master. The safety-related functions are enabled by means of the AS-i safety monitor.

LED display

The LEDs have the following meaning (to EN 62026-2):

LED green/red AS-Interface supply voltage /
(AS-i duo LED): AS-Interface communication error
or slave address = 0
Yellow LED: Enabling status



The user must evaluate and design the safety chain in accordance with the relevant standards and the required safety level.



The entire concept of the control system, in which the safety component is integrated, must be validated to the relevant standards.

2.4 Technical data

Standards: IEC 60947-5-3, EN 62026-2
ISO 13849-1, IEC 61508

Enclosure:	glass-fibre reinforced thermoplastic, self-extinguishing
Assured switching distance s_{so} :	7 mm
Assured switch-off distance s_{sr} :	17 mm
Response time:	< 100 ms
Protection class:	IP67 to IEC 60529
Termination:	cable LSYY (0.23 mm ² / AWG 24), connector M12 x 1, 4-pole
Ambient temperature:	-25 °C ... +60 °C
Storage and transport temperature:	-25 °C ... +70 °C
Resistance to shock:	30 g / 11 ms
Resistance to vibration:	10 ... 55 Hz, amplitude 1 mm
Maximum switching frequency:	1 Hz

Electrical data AS-Interface:

AS-I voltage range:	18.0 ... 31.6 VDC, through AS-Interface, reverse polarity-proof
AS-I power consumption:	≤ 0.05 A
AS-I Specification: (V 2.1)	AS-i slave profile: S-0.B.F.E, IO code: 0x0, ID code: 0xB, ID code1: 0xF, ID code2: 0xE

AS-interface inputs:	Contact 1: Data bits D0 / D1 = static 00 or dynamic code transmission Contact 2: Data bits D2 / D3 = static 00 or dynamic code transmission
Parameter port:	P0 ... P3: no function, set parameter outputs to "1111" (0xF)
Input module address:	preset to address 0, can be changed through AS-interface bus master or hand-held programming device

Diagnostic indication:

- LED green/red:	AS-Interface supply voltage/ AS-Interface communication error or slave address = 0
- LED yellow:	enabling status



For use in NFPA 79 Applications only. Only for use in Pollution Degree 2 Environment. Adapters providing field wiring means are available from the manufacturer. Refer to manufacturers information.

2.5 Classification

Standards:	ISO 13849-1, IEC 61508
PL:	e
Control Category:	4
PFH:	1.24 x 10 ⁻⁸ / h for ≤ 500,000 operations / year
SIL:	suitable for SIL 3 applications
Mission time:	20 years

3. Mounting

3.1 General mounting instructions



Please observe the remarks of the standards ISO 12100, ISO 14119 and ISO 14120.

- Fitting is only authorised in a de-energised condition
- Do not use the sensor and the actuator as a mechanical backstop
- Any mounting position, provided that the active surfaces are opposite
- Inseparably fix the safety sensor and the actuator to the safety guard
- Ensure the safety sensor is mounted on a flat surfaces to avoid tensile stresses that could damage the sensor or lead to varying switching distances
- Do not install the safety sensor and the actuator in strong magnetic fields
- If possible, do not mount the sensor and the actuator on ferromagnetic material. A non-magnetic spacer of at least 5 mm thick or the original spacer must be used. The use of non-magnetic fixing screws is recommended also.
- Do not subject the safety sensor and actuator to extreme vibrations and shocks.
- Keep away from metal chips
- The mounting distance between two sensors should always be at least 50 mm.

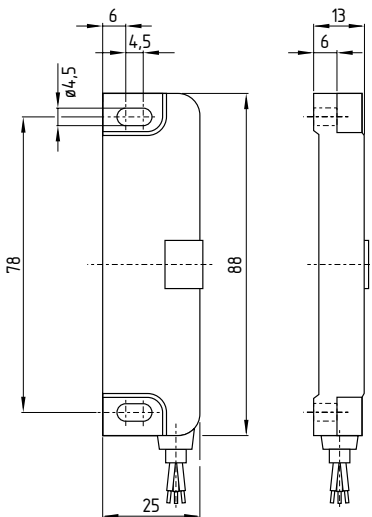


The actuator must be permanently fitted to the safety guards and protected against displacement by suitable measures (tamperproof screws, gluing, drilling of the screw heads).

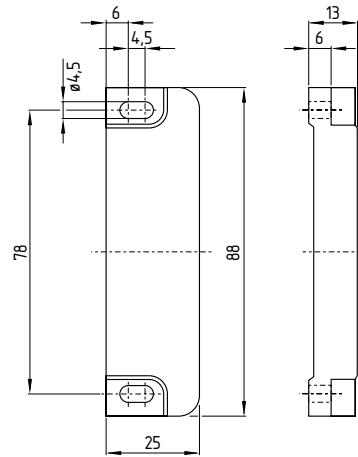
3.2 Dimensions

All measurements in mm.

Safety sensor with cable (2 m), for left hinged door



Actuator



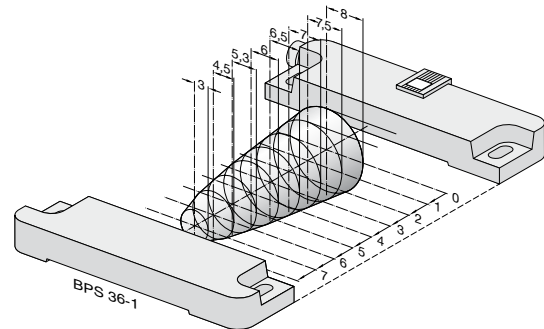
3.3 Axial misalignment

A horizontal and vertical misalignment of the safety sensor and the actuator is tolerated. The possible misalignment depends on the distance of the active surface of the sensor and the actuator. The sensor remains active within the tolerance range.

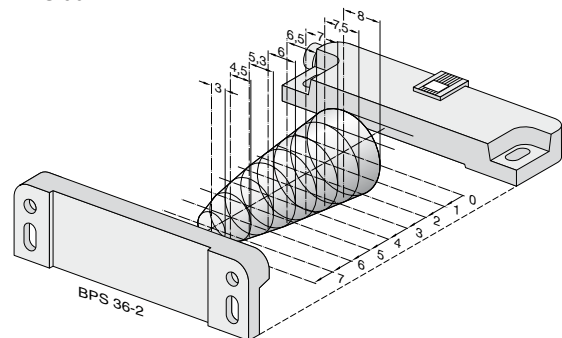
The specified switching distances refer to opposedly mounted safety sensors and actuators.

assured switching distance s_{ao} : 7 mm
assured switch-off distance s_{ar} : 17 mm

BPS 36-1



BPS 36-2



3.4 Adjustment



Recommended Adjustment

Align the safety sensor and actuator at a distance of $0.5 \times s_{ao}$.

The yellow LED of the BNS 36 AS variants can only be used as a rough setting tool. The correct functionality of both safety channels must be checked by means of the connected safety-monitoring module.

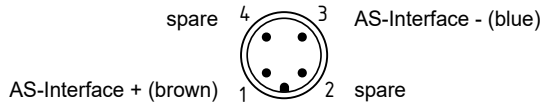
4. Electrical connection

4.1 General information for electrical connection



The electrical connection may only be carried out by authorised personnel in a de-energised condition.

The connection to the AS-Interface system is realised through an M12 connector. The M12 connector is A-coded. The wiring configuration of the M12 connector is defined as follows (to EN 62026-2):



5. Configuration

5.1 Programming the slave address

The slave address is programmed through the connecting cable of the BNS 36 AS. Depending on the variant used, every address can be programmed between 1 and 31 through an M12 connector or an open cable extremity.

5.2 Configuration of the safety monitor

The BNS 36 AS must be configured in the monitoring device as double channel dependent module with start-up test.

The BNS 36 AS can be configured in the ASIMON configuration software with the following monitoring devices (also refer to the ASIMON manual):

Double channel dependent

- Optionally with startup test
- Synchronisation time typically 0.5 – 2.0 s

Double channel dependent with filtering

The use of this monitoring device is especially advantageous on safety guards where bounce or vibration against the mechanical stop upon closing is a problem.

- with startup test
- Stabilising time typically 0.5 -1.0 s
- Synchronisation time typically 5.0 – 10.0 s

The safety-monitoring module is only released after expiration of the stabilising time; the synchronization time always must exceed the stabilising time.



The configuration of the safety monitor must be tested and confirmed by a qualified and authorised safety expert/safety engineer.



During the project planning, it must be observed that the length of the cable of each individual safety sensor is integrated in the overall length (max. 100 m without repeater) of the AS-Interface network.

6. Set-up and maintenance

6.1 Functional testing

The safety function of the safety components must be tested. The following conditions must be previously checked and met:

1. Check the switch enclosure for damage
2. Fitting and integrity of the cable connections
3. Connect the BNS 36 AS to the AS-Interface network
4. Set the parameter outputs to "1111" (0xF)
5. Check the correct function of the BNS and BPS system with configured safety monitor

6.2 Maintenance

In case of correct installation in accordance with the above-described instructions, the component requires little maintenance. A regular visual inspection and functional test, including the following steps, is recommended:

1. Remove particles of dust and soiling
2. Fitting and integrity of the cable connections



Adequate measures must be taken to ensure protection against tampering, either to prevent tampering of the safety guard, for instance by means of replacement actuators.

Damaged or defective components must be replaced.

7. Disassembly and disposal

7.1 Disassembly

The safety switchgear must be disassembled in a de-energised condition only.

7.2 Disposal

The safety switchgear must be disposed of in an appropriate manner in accordance with the national prescriptions and legislations.

8. EU Declaration of conformity

EU Declaration of conformity



Original
K.A. Schmersal GmbH & Co. KG
Möddinghofe 30
42279 Wuppertal
Germany
Internet: www.schmersal.com

We hereby certify that the hereafter described components both in their basic design and construction conform to the applicable European Directives.

Name of the component: BNS 36 AS

Type: See ordering code

Description of the component: Coded, magnetic safety sensor
with integrated AS-i Safety at Work

Relevant Directives: 2006/42/EC Machinery Directive
2014/30/EU EMC-Directive
2011/65/EU RoHS-Directive

Applied standards: DIN EN 60947-5-3:2014,
DIN EN ISO 14119:2014,
DIN EN ISO 13849-1:2016,
IEC 61508 parts 1-7:2010

**Person authorised for the compilation
of the technical documentation:** Oliver Wacker
Möddinghofe 30
42279 Wuppertal

Place and date of issue: Wuppertal, 21. November 2016

Authorised signature
Philip Schmersal
Managing Director

BNS36AS-C-EN



The currently valid declaration of conformity can be
downloaded from the internet at www.schmersal.net.



K.A. Schmersal GmbH & Co. KG
Möddinghofe 30, 42279 Wuppertal
Germany

Phone: +49 202 6474-0
Telefax: +49 202 6474-100
E-Mail: info@schmersal.com
Internet: www.schmersal.com