

Datasheet - BNS 36-11/01ZG-ST-L

Safety sensors / BNS 36



(Minor differences between the printed image and the original product may exist!)

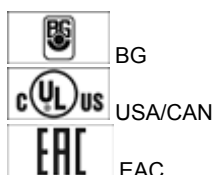
- Thermoplastic enclosure
- Long life
- no mechanical wear
- 88 mm x 25 mm x 13 mm
- Concealed mounting possible
- Insensitive to transverse misalignment
- Insensitive to soiling
- Connector 8 mm, 6-pole, Latching interlocking

Ordering details

Product type description	BNS 36-11/01ZG-ST-L
Article number	101193253
EAN Code	4030661359946
eCl@ss	27-27-24-02

Approval

Approval



Classification

Standards	EN ISO 13849-1
B10d Normally-closed contact/Normally open contact (NC/NO)	25.000.000
- notice	at max. 20% contact load
Mission time	20 Years
notice	$MTTF_d = \frac{B_{10d}}{0,1 \times n_{op}}$ $n_{op} = \frac{d_{op} \times h_{op} \times 3600 \text{ s/h}}{t_{cycle}}$

Global Properties

Permanent light	BNS 36
Standards	IEC 60947-5-3, BG-GS-ET-14
Compliance with the Directives (Y/N)	Yes
Category safety pursuant to EN ISO 13849-1	up 4 - Only in combination with safety monitoring module
Materials	
- Material of the housings	Plastic, glass-fibre reinforced thermoplastic
Weight	29
Coding available (Y/N)	Yes
Monitoring function of downstream devices (Y/N)	No

Prerequisite evaluation unit
Recommended safety-monitoring module
Recommended actuator

BPS 36-1, BPS 36-2

Mechanical data

Design of electrical connection	Connector 8 mm, 6-pole, Latching interlocking
AWG-Number	
mechanical installation conditions	quasi-flush
Active area	
Ensured switch distance ON S_{ao}	7 mm
Ensured switch distance OFF S_{ar} notice	17 mm
	Axial misalignment The safety sensor and the actuator tolerate a horizontal and vertical misalignment to each other. The possible misalignment depends on the distance of the active surfaces of the sensor and the actuator. The sensor is active in the tolerance range.
Type of actuation	Magnet
Direction of motion	head-on with regard to the active surface
restistance to shock	30 g / 11 ms
Resistance to vibration	10 ... 55 HZ, Amplitude 1 mm
Door hinge	left

Ambient conditions

Ambient temperature	
- Min. environmental temperature	-25 °C
- Max. environmental temperature	+70 °C
Storage and transport temperature	
- Min. Storage and transport temperature	-25 °C
- Max. Storage and transport temperature	+70 °C
Protection class	IP67

Electrical data

Integrated Safety monitoring module available (Y/N)	No
Cross circuit/short circuit recognition possible (Y/N)	Yes
Voltage type	VDC
Switch frequency	max. 5 HZ
Switching voltage	max. 30 VDC
Switching current	max. 10 mA
Switching capacity	max. 240 mW

Outputs

Design of control output	
Number of shutters	1
Number of openers	2
Design of output signal switching device	

Electrical data - Safety outputs

Number of secure semi-conductor outputs	0
Number of secure outputs with contact	2

Electrical data - Diagnostic output

Number of semi-conductor outputs with signaling function	0
Number of outputs with signaling function that already have a contact	1

LED switching conditions display

LED switching conditions display (Y/N)	Yes
- The LED is illuminated when the guard is closed.	

ATEX

Explosion protection categories for gases	None
Explosion protected category for dusts	None

Dimensions

Dimensions of the sensor	
- Width of sensor	88 mm
- Height of sensor	25 mm
- Length of sensor	13 mm

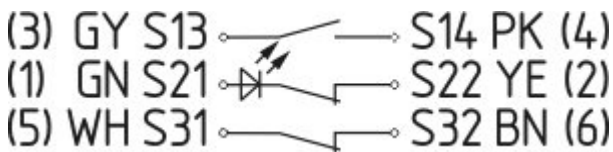
notice

The number in brackets indicate the PIN number of the connector.
Contact symbols shown for the closed condition of the guard device.
The contact configuration for versions with or without LED is identical.

Included in delivery

Actuators must be ordered separately.

Diagram



Note Diagram

- positive break NC contact
- active
- no active
- Normally-open contact
- Normally-closed contact

Ordering code

BNS 36-(1)(2)Z(3)-(4)-(5)

(1)	
11	1 Normally open contact (NO) / 1 Opener (NC)
02	2 Opener (NC)

(2)		
<i>without</i>		without Diagnostic output
I01		1 Opener (NC)
(3)		
<i>without</i>		without LED switching conditions display
G		with LED switching conditions display
(4)		
<i>without</i>		Pre-wired cable
ST		with connector
(5)		
L		Door hinge on left-hand side
R		Door hinge on right-hand side

Documents

Operating instructions and Declaration of conformity (nl) 324 kB, 24.09.2018

Code: mrl_bns36_nl

Operating instructions and Declaration of conformity (en) 296 kB, 24.09.2018

Code: mrl_bns36_en

Operating instructions and Declaration of conformity (es) 294 kB, 24.09.2018

Code: mrl_bns36_es

Operating instructions and Declaration of conformity (sv) 318 kB, 16.04.2012

Code: mrl_bns36_sv

Operating instructions and Declaration of conformity (pt) 297 kB, 24.09.2018

Code: mrl_bns36_pt

Operating instructions and Declaration of conformity (fr) 295 kB, 24.09.2018

Code: mrl_bns36_fr

Operating instructions and Declaration of conformity (de) 290 kB, 24.09.2018

Code: mrl_bns36_de

Operating instructions and Declaration of conformity (da) 282 kB, 22.08.2013

Code: mrl_bns36_da

Operating instructions and Declaration of conformity (pl) 331 kB, 24.09.2018

Code: mrl_bns36_pl

Operating instructions and Declaration of conformity (it) 287 kB, 24.09.2018

Code: mrl_bns36_it

Operating instructions and Declaration of conformity (cs) 322 kB, 04.06.2012

Code: mrl_bns36_cs

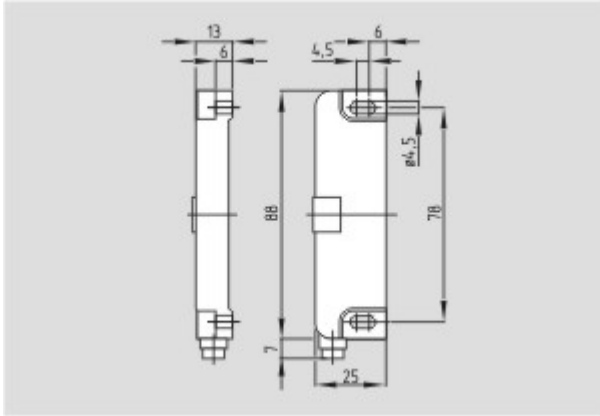
Operating instructions and Declaration of conformity (jp) 555 kB, 24.09.2018

Code: mrl_bns36_jp

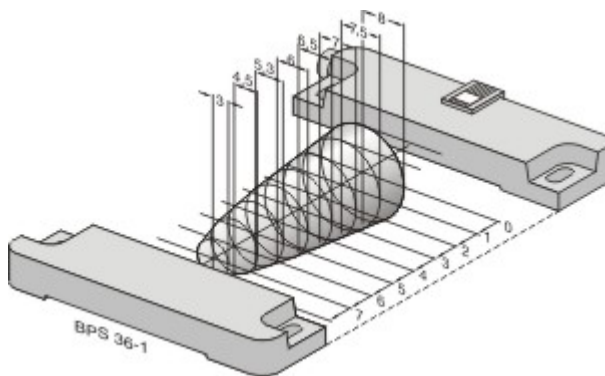
Operating instructions and Declaration of conformity (cn) 381 kB, 02.04.2015

Code: mrl_bns36_cn

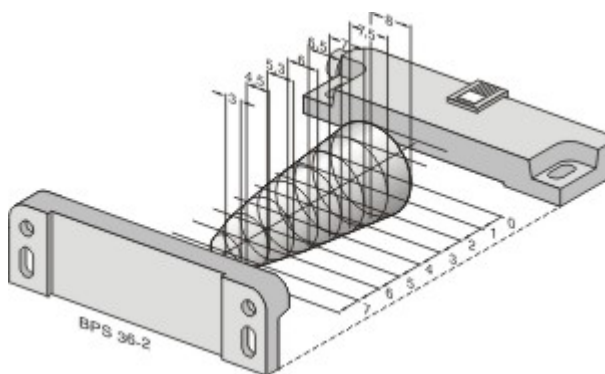
Images



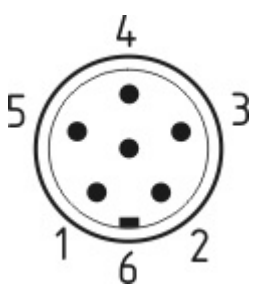
Dimensional drawing (basic component)



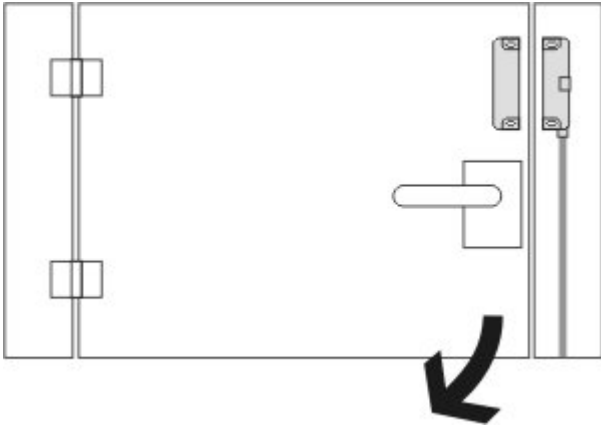
Characteristic curve



Characteristic curve



Contact arrangement



Operating principle

System components

Actuator



101190052 - BPS 36-1

- Actuator and sensor on a mounting level



101191859 - BPS 36-2

- Actuator 90 ° attached to the sensor

Accessories



101188624 - SPACER BNS 36

- to mount the magnetic safety sensor and actuator on ferromagnetic material

K.A. Schmersal GmbH & Co. KG, Möddinghofe 30, D-42279 Wuppertal

The data and values have been checked thoroughly. Technical modifications and errors excepted.

Generiert am 31.07.2019 - 21:46:50h Kasbase 3.3.0.F.64I