

## Datasheet - BNS 260-11/01ZG-ST-R

Safety sensors / BNS 260



Preferred typ



- Thermoplastic enclosure
- Small body
- Concealed mounting possible
- 26 mm x 36 mm x 13 mm
- Long life
- no mechanical wear
- Insensitive to transverse misalignment
- Insensitive to soiling
- Connector 8 mm, 6-pole, Latching interlocking

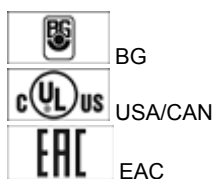
(Minor differences between the printed image and the original product may exist!)

### Ordering details

Product type description	BNS 260-11/01ZG-ST-R
Article number	101184368
EAN Code	4030661321660
eCl@ss	27-27-24-02

### Approval

Approval



### Classification

Standards	EN ISO 13849-1
B10d Normally-closed contact/Normally open contact (NC/NO)	25.000.000
- notice	at max. 20% contact load
Mission time	20 Years
notice	$MTTF_d = \frac{B_{10d}}{0,1 \times n_{op}}$ $n_{op} = \frac{d_{op} \times h_{op} \times 3600 \text{ s/h}}{t_{cycle}}$

### Global Properties

Permanent light	BNS 260
-----------------	---------

Standards	IEC 60947-5-3, BG-GS-ET-14
Compliance with the Directives (Y/N) 	Yes
Materials	
- Material of the housings	Plastic, glass-fibre reinforced thermoplastic
Weight	15
Coding available (Y/N)	Yes
Monitoring function of downstream devices (Y/N)	No
Prerequisite evaluation unit	
Recommended safety-monitoring module	
Recommended actuator	BPS 260

## Mechanical data

---

Design of electrical connection	Connector 8 mm, 6-pole, Latching interlocking
mechanical installation conditions	quasi-flush
Active area	
Ensured switch distance ON $S_{ao}$	5 mm
Ensured switch distance OFF $S_{ar}$	15 mm
notice	<b>Axial misalignment</b> The safety sensor and the actuator tolerate a horizontal and vertical misalignment to each other. The possible misalignment depends on the distance of the active surfaces of the sensor and the actuator. The sensor is active in the tolerance range.
Type of actuation	Magnet
Direction of motion	head-on with regard to the active surface
restistance to shock	30 g / 11 ms
Resistance to vibration	10 ... 55 HZ, Amplitude 1 mm
Door hinge	right

## Ambient conditions

---

Ambient temperature	
- Min. environmental temperature	-25 °C
- Max. environmental temperature	+70 °C
Storage and transport temperature	
- Min. Storage and transport temperature	-25 °C
- Max. Storage and transport temperature	+70 °C
Protection class	IP67

## Electrical data

---

Integrated Safety monitoring module available (Y/N)	No
Cross circuit/short circuit recognition possible (Y/N)	Yes
Voltage type	VDC
Switch frequency	max. 5 HZ
Switching voltage	max. 24 VDC
Switching current	max. 10 mA
Switching capacity	max. 240 mW

## Outputs

---

Design of control output	
Number of shutters	1
Number of openers	2
Design of output signal switching device	

## Electrical data - Safety outputs

---

Number of secure semi-conductor outputs	0
Number of secure outputs with contact	2

## Electrical data - Diagnostic output

---

Number of semi-conductor outputs with signaling function	0
Number of outputs with signaling function that already have a contact	1

## LED switching conditions display

---

LED switching conditions display (Y/N)	Yes
- The LED is illuminated when the guard is closed.	

## ATEX

---

Explosion protection categories for gases	None
Explosion protected category for dusts	None

## Dimensions

---

Dimensions of the sensor	
- Width of sensor	26 mm
- Height of sensor	36 mm
- Length of sensor	13 mm

## notice

---

Contact symbols shown for the closed condition of the guard device.  
The contact configuration for versions with or without LED is identical.  
The number in brackets indicate the PIN number of the connector.  
Contact S21-S22 und S11-S12 must be integrated in the safety circuit

## Included in delivery

---

Actuators must be ordered separately.

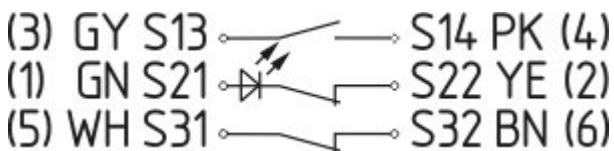
## Indication legend

---


Switch on/off diagram  
The actuating graph also applies to the BPS 260-2, the actuator with 90° inverted actuation.

## Diagram

---



Note Diagram

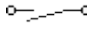
 positive break NC contact

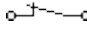


active



no active

 Normally-open contact

 Normally-closed contact

## Ordering code

---

BNS 260-(1)(2)Z(3)-(4)-(5)

(1)	
11	1 Normally open contact (NO) / 1 Opener (NC)
02	2 Opener (NC)
(2)	
without	without Diagnostic output
I01	1 Opener (NC)
(3)	
without	without LED switching conditions display
G	with LED switching conditions display
(4)	
without	Pre-wired cable
ST	with connector
(5)	
L	Door hinge on left-hand side
R	Door hinge on right-hand side

## Documents

---

**Operating instructions and Declaration of conformity** (pt) 331 kB, 24.10.2018

Code: mrl\_bns260\_pt

**Operating instructions and Declaration of conformity** (cs) 365 kB, 25.10.2018

Code: mrl\_bns260\_cs

**Operating instructions and Declaration of conformity** (fr) 331 kB, 24.10.2018

Code: mrl\_bns260\_fr

**Operating instructions and Declaration of conformity** (de) 290 kB, 01.10.2018

Code: mrl\_bns260\_de

**Operating instructions and Declaration of conformity** (it) 321 kB, 24.10.2018

Code: mrl\_bns260\_it

**Operating instructions and Declaration of conformity** (nl) 329 kB, 23.10.2018

Code: mrl\_bns260\_nl

**Operating instructions and Declaration of conformity** (pl) 365 kB, 25.10.2018

Code: mrl\_bns260\_pl

**Operating instructions and Declaration of conformity** (sv) 442 kB, 25.10.2018

Code: mrl\_bns260\_sv

**Operating instructions and Declaration of conformity** (jp) 398 kB, 24.09.2018

Code: mrl\_bns260\_jp

**Operating instructions and Declaration of conformity (en)** 330 kB, 01.10.2018

Code: mrl\_bns260\_en

**Operating instructions and Declaration of conformity (es)** 329 kB, 24.10.2018

Code: mrl\_bns260\_es

**Operating instructions and Declaration of conformity (da)** 343 kB, 25.10.2018

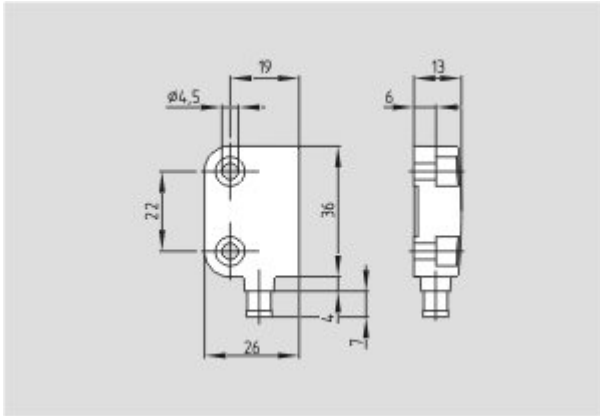
Code: mrl\_bns260\_da

**EAC certification (ru)** 782 kB, 05.10.2015

Code: q\_6044p17\_ru

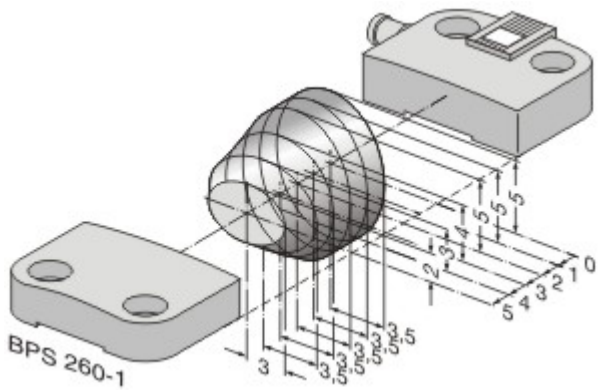
## Images

---



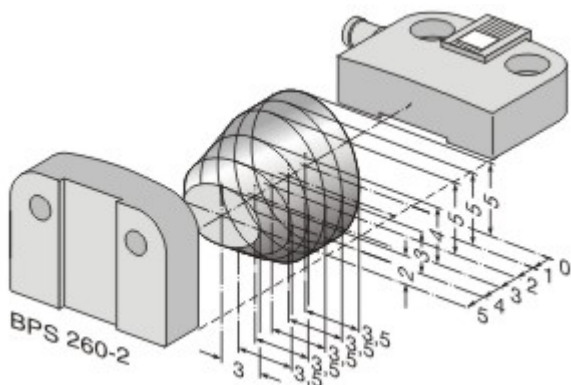
Dimensional drawing (basic component)

---



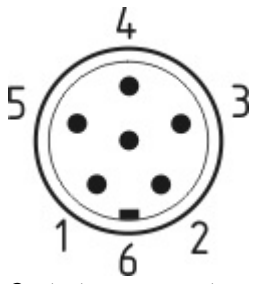
Characteristic curve

---

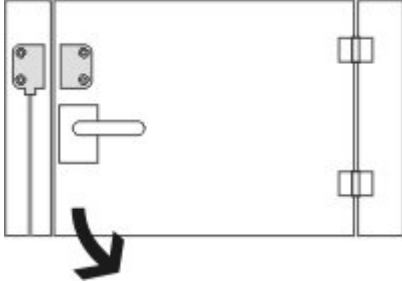


Characteristic curve

---



Contact arrangement



Clipart

## System components

### Actuator



#### 101184395 - BPS 260-1

- Actuator and sensor on a mounting level



#### 101184396 - BPS 260-2

- Actuator 90 ° attached to the sensor

### Accessories



#### 101184643 - SPACER BNS 260

- to mount the magnetic safety sensor and actuator on ferromagnetic material