

## Datasheet - BNS 33-11Z

Safety sensors / BNS 33



Preferred typ



(Minor differences between the printed image and the original product may exist!)

- Thermoplastic enclosure
- Concealed mounting possible
- Insensitive to transverse misalignment
- 88 mm x 25 mm x 13 mm
- Long life
- no mechanical wear
- Insensitive to soiling
- AS-Interface Safety at Work available

### Ordering details

Product type description	BNS 33-11Z
Article number	101107770
EAN code	4030661024301
eCl@ss	27-27-24-02

### Approval

Approval



### Classification

Standards	EN ISO 13849-1
B <sub>10d</sub> Opener/Normally open contact (NC/NO)	25.000.000
- notice	at max. 20% contact load
Mission time	20 Years
notice	$MTTF_d = \frac{B_{10d}}{0,1 \times n_{op}}$ $n_{op} = \frac{d_{op} \times h_{op} \times 3600 \text{ s/h}}{t_{cycle}}$

### Global Properties

Product name	BNS 33
Standards	IEC 60947-5-3, BG-GS-ET-14
Compliance with the Directives (Y/N)	Yes
Materials	
- Material of the housings	Plastic, glass-fibre reinforced thermoplastic
- Material of the cable mantle	PVC
Weight	62 g
Monitoring function of downstream devices (Y/N)	No
Prerequisite evaluation unit	Yes

Recommended safety-monitoring module

Recommended actuator

BPS 33, BPS 33-2326

## Mechanical data

---

Design of electrical connection	Cable
Cable length	1 m
Conductors	0,25 mm <sup>2</sup>
AWG-Number	23
mechanical installation conditions	not flush
Active area	Side
Ensured switch distance ON	5 mm / 8 mm
- BPS 33-2326 = 8 mm Actuating magnet	
- BPS 33 = 5 mm Actuating magnet	
Ensured switch distance OFF	15 mm / 18 mm
- BPS 33-2326 = 18 mm Actuating magnet	
- BPS 33 = 15 mm Actuating magnet	
Repeat accuracy R	≤ 0,1 x
Type of actuation	Magnet
Direction of motion	head-on with regard to the active surface
resistance to shock	30 g / 11 ms
Resistance to vibration	10 ... 55 Hz, Amplitude 1 mm

## Ambient conditions

---

Ambient temperature	
- Min. environmental temperature	-25 °C
- Max. environmental temperature	+70 °C
Storage and transport temperature	
- Min. Storage and transport temperature	-25 °C
- Max. Storage and transport temperature	+70 °C
Protection class	IP67

## Electrical data

---

Integrated Safety monitoring module available (Y/N)	No
Cross circuit/short circuit recognition possible (Y/N)	Yes
Voltage type	VAC/DC
Switch frequency	max. 5 Hz
Switching voltage	max. 100 VAC/DC
Switching current	max. 400 mA
Switching capacity	max. 10 W

## Outputs

---

Design of control output	Other, Reed kontakts
Number of shutters	1 piece
Number of openers	1 piece

## Electrical data - Safety outputs

---

Number of secure semi-conductor outputs	0 piece
Number of secure outputs with contact	0 piece

## Electrical data - Diagnostic output

---

Number of semi-conductor outputs with signaling function	0 piece
Number of outputs with signaling function that already have a contact	0 piece

## LED switching conditions display

---

LED switching conditions display (Y/N)	No
--	----

## ATEX

---

Explosion protection categories for gases	None
Explosion protected category for dusts	None

## Dimensions

---

Dimensions of the sensor	
- Width of sensor	88 mm
- Height of sensor	25 mm
- Length of sensor	13 mm

## notice

---

Contact symbols shown for the closed condition of the guard device.  
The contact configuration for versions with or without LED is identical.

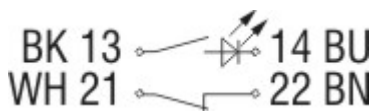
## Included in delivery

---




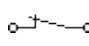

Actuators must be ordered separately.

## Diagram

---



Note Diagram

-  positive break NC contact
-  active
-  no active
-  Normally-open contact
-  Normally-closed contact

## Ordering code

---

BNS 33-(1)Z(2)-(3)-(4)

(1)	
02	2 Opener (NC)
11	1 Normally open contact (NO) / 1 Opener (NC)
12	1 Normally open contact (NO) / 2 Opener (NC)
(2)	
without	without LED switching conditions display

<b>G</b>	with LED switching conditions display
<b>(3)</b>	
<i>without</i>	with cable
<b>ST</b>	with connector M8
<b>(4)</b>	
<b>2187</b>	Individual contact outlet
<b>2187-10</b>	Individual contact outlet, with LED
<b>2237</b>	Actuation from cable direction

## Documents

---

**Operating instructions and Declaration of conformity (jp)** 376 kB, 15.01.2013

Code: mrl\_bns33\_jp

**Operating instructions and Declaration of conformity (es)** 289 kB, 09.03.2016

Code: mrl\_bns33\_es

**Operating instructions and Declaration of conformity (pt)** 300 kB, 03.06.2016

Code: mrl\_bns33\_pt

**Operating instructions and Declaration of conformity (en)** 299 kB, 04.03.2016

Code: mrl\_bns33\_en

**Operating instructions and Declaration of conformity (fr)** 299 kB, 29.04.2016

Code: mrl\_bns33\_fr

**Operating instructions and Declaration of conformity (pl)** 327 kB, 29.04.2016

Code: mrl\_bns33\_pl

**Operating instructions and Declaration of conformity (de)** 300 kB, 04.03.2016

Code: mrl\_bns33\_de

**Operating instructions and Declaration of conformity (cs)** 307 kB, 08.01.2013

Code: mrl\_bns33\_cs

**Operating instructions and Declaration of conformity (nl)** 281 kB, 09.01.2013

Code: mrl\_bns33\_nl

**Operating instructions and Declaration of conformity (da)** 282 kB, 08.01.2013

Code: mrl\_bns33\_da

**Operating instructions and Declaration of conformity (sv)** 279 kB, 09.01.2013

Code: mrl\_bns33\_sv

**Operating instructions and Declaration of conformity (it)** 282 kB, 28.01.2016

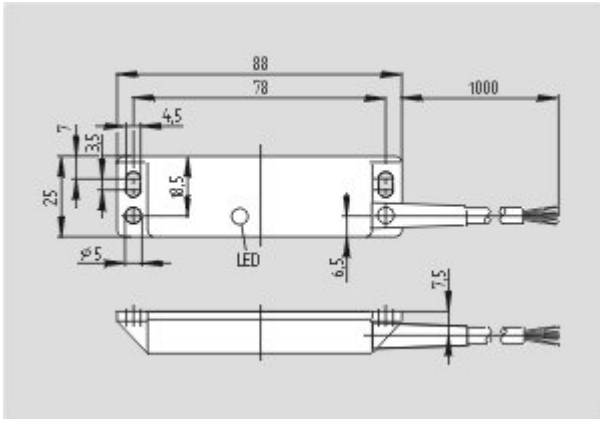
Code: mrl\_bns33\_it

**EAC certification (ru)** 782 kB, 05.10.2015

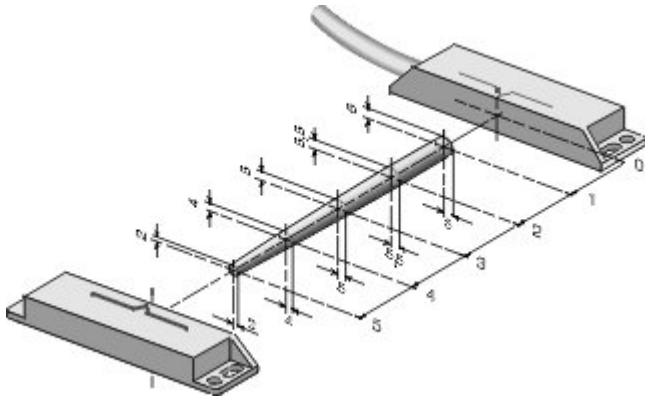
Code: q\_6044p17\_ru

## Images

---



Dimensional drawing (basic component)



Characteristic curve

## System components

### Actuator

101107771 - BPS 33



101148482 - BPS 33-2326

- higher switching distance  $S_{ao}$  8 mm



### Accessories

101158893 - SPACER BN 31/33

- to mount the magnetic safety sensor and actuator on ferromagnetic material

