



## BN 325-R-1239

- Flat plug-in connector 4.8 mm and 2 shielding plates
- Actuation from front
- Non-contact principle
- 1 Reed kontakts
- Long life
- Actuating surface and direction of actuation marked by switch symbol
- 85 mm x 26 mm x 24 mm
- Thermoplastic enclosure
- Spade connector

## Data

### Ordering data

Product type description	BN 325-R-1239
Article number (order number)	101147090
EAN (European Article Number)	4030661141282
eCl@ss number, version 11.0	27-27-01-05
eCl@ss number, version 9.0	27-27-01-05
ETIM number, version 7.0	EC002544
ETIM number, version 6.0	EC002544

### General data

Working principle	Magnetic drive
Housing construction form	rectangular
Enclosure material	Glass-fibre, reinforced thermoplastic
Gross weight	45 g

### General data - Features

Latching	Yes
Suitable for elevators	Yes
Number of snap-in contacts	1

### Mechanical data

Actuating panels	front side
Actuating element	Magnet
Mechanical life, minimum	1,000,000,000 Operations
Repeat accuracy R	0.3 mm
Actuating speed, maximum	18 m/s
Mounting	rear with 2 threaded bolts

### Mechanical data - Switching distances according EN IEC 60947-5-3

Switching distance $S_n$	5 mm ... 55 mm
	2 x BP 21S = 20 ... 55 mm
	BP 34S = 10 ... 25 mm
	BE 20 = 20 mm
	BP 10N = 10 mm
	BP 10S = 10 mm
	2 x BP 10N = 15 mm
	2 x BP 10S = 15 mm
	BP 15N = 12 mm
	BP 15S = 12 mm
	2 x BP 15/2N = 17 mm
	2 x BP 15/2S = 17mm
	BP 34N = 10 ... 25mm
	BP 20N = 5 ... 20 mm
	BP 20S = 5 ... 20 mm
	BP 31N = 5 ... 20 mm
	BP 31S = 5 ... 20 mm
	BP 11N = 10 mm
	BP 11S = 10 mm
	2 x BP 11N = 20 mm
	2 x BP 11S = 20 mm
	BP 12N = 15 mm
	BP 12S = 15 mm
	2 x BP 12N = 10 ... 25 mm
	2 x BP 12S = 10 ... 25 mm
	BP 21N = 15 ... 40 mm
	BP 21S = 15 ... 40 mm
	2 x BP 21N = 20 ... 55 mm
	BE 20N = 15 mm
	BE 20S = 15 mm

Note (Switching distance  $S_n$ )

Actuating distance up to 55 mm depending on actuating magnet and version. The specified switching distances are applicable for the actuation of individually mounted components without ferromagnetic influence. A change of the distance, either positive or negative, is possible due to ferromagnetic influences. The mutual interference between multiple actuating magnets must be observed.

## Mechanical data - Connection technique

Termination Flat plug-in connector 4.8 mm and 2 Shielding plates

## Mechanical data - Dimensions

Length of sensor 24 mm  
 Width of sensor 85 mm

Height of sensor 26 mm

## Ambient conditions

Degree of protection IP40

Ambient temperature, minimum -25 °C

Ambient temperature, maximum +70 °C

Resistance to vibration to EN 60068-2-6 10 ... 55 Hz, amplitude 1 mm

Resistance to shock 50 g / 11 ms

## Electrical data

Switching voltage, maximum 250 VAC

Switching current, maximum 3 A

Switching capacity, maximum 120 VA

Switching element bistable contact

Bounce duration, minimum 0.3 ms

Bounce duration, maximum 0.6 ms

Switching frequency, maximum 300 Hz

## Electrical data - Digital Output

Design of control elements Reed contacts

## Scope of delivery

Scope of delivery      Actuators must be ordered separately.

## Accessory

Recommendation (actuator)	BP 10 S 2x BP 10 S BP 15 S BP 34 S BP 20 S BP 31 S BP 11 S 2x BP 11 S BP 12 S BP 21 S 2x BP 21 S BP 10 N 2x BP 10 N BP 15 N 2 x BP 15/2 N 2x BP 15/2 S BP 34 N BP 20 N BP 31 N BP 11 N 2x BP 11 N BP 12 N 2x BP 12 N 2x BP 12 S BP 21 N 2x BP 21 N BE 20 BE 20 N(S) ST 24VDC BE 20 N(S) 48VDC
Recommendation (actuator, lift switchgear)	BP 10 2 x BP 15/2 2 x BP 10 BP 15 BP 34

## Note

Note (General)      The opening and closing functions depend on the direction of actuation, the actuating magnets and the polarity of the actuating magnets.

# Pictures

## Product picture (catalogue individual photo)

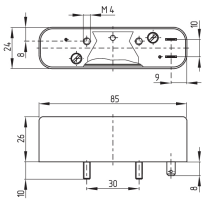


ID: kbn32f01

| 165.3 kB | .jpg | 352.778 x 162.631 mm - 1000 x 461 px - 72 dpi

| 15.6 kB | .png | 74.083 x 34.219 mm - 210 x 97 px - 72 dpi

## Dimensional drawing basic component



ID: 1bn32g01

| 25.8 kB | .cdr |

| 3.8 kB | .png | 74.083 x 51.858 mm - 210 x 147 px - 72 dpi

| 78.5 kB | .jpg | 352.778 x 247.297 mm - 1000 x 701 px - 72 dpi

## Switch travel diagram



ID: ksbn4sx3

| 18.0 kB | .cdr |

| 1.1 kB | .png | 74.083 x 18.697 mm - 210 x 53 px - 72 dpi

| 23.1 kB | .jpg | 352.778 x 88.194 mm - 1000 x 250 px - 72 dpi

## Switch travel diagram



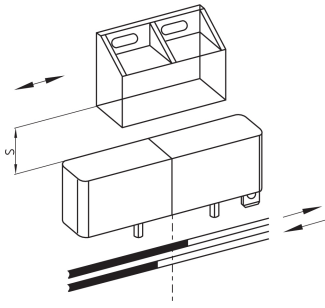
ID: ksbn4sx4

| 18.0 kB | .cdr |

| 1.1 kB | .png | 74.083 x 18.697 mm - 210 x 53 px - 72 dpi

| 22.8 kB | .jpg | 352.778 x 88.194 mm - 1000 x 250 px - 72 dpi

## Diagram



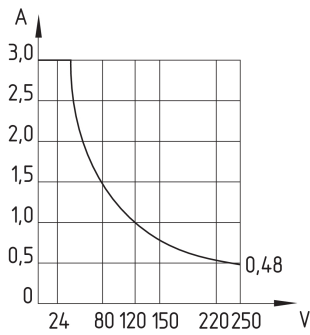
ID: kbn32b02

| 18.8 kB | .cdr |

| 135.1 kB | .jpg | 352.778 x 325.967 mm - 1000 x 924 px - 72 dpi

| 5.2 kB | .png | 74.083 x 68.439 mm - 210 x 194 px - 72 dpi

## Characteristic curve



ID: kbn32d03

| 3.1 kB | .png | 73.731 x 77.964 mm - 209 x 221 px - 72 dpi

| 116.4 kB | .jpg | 352.425 x 371.828 mm - 999 x 1054 px - 72 dpi

Schmersal, Inc., 15 Skyline Drive, Hawthorne, NY 10532

The details and data referred to have been carefully checked. Images may diverge from original. Further technical data can be found in the manual. Technical amendments and errors possible.

Generated on: 10/18/2022, 11:58 AM