

## Datasheet - AZ 3350-12ZUEK

Safety switch with separate actuator / AZ 3350



- Metal enclosure
- Latching handle
- Long life
- 40,5 mm x 114 mm x 38 mm
- High level of contact reliability with low voltages and currents
- 1 Cable entry M 20 x 1.5

(Minor differences between the printed image and the original product may exist!)

### Ordering details

Product type description	AZ 3350-12ZUEK
Article number	101214053
EAN code	4030661397580
To order, first choose the desired safety switch and then the door handle system	
eCI@ss	27-27-26-02

### Approval

Approval



### Classification

Standards	EN ISO 13849-1
B <sub>10d</sub> Normally-closed contact (NC)	2.000.000
B <sub>10d</sub> Normally open contact (NO)	1.000.000
- notice	at 10% I <sub>e</sub> and ohmic load
Mission time	20 Years
notice	$MTTF_d = \frac{B_{10d}}{0,1 \times n_{op}}$

$$n_{op} = \frac{d_{op} \times h_{op} \times 3600 \text{ s/h}}{t_{cycle}}$$

## Global Properties

---

Product name	AZ 3350
Standards	EN 60947-5-1, BG-GS-ET-15, EN 1088
Materials	
- Material of the housings	Aluminium
- Material of the contacts	Silver
Housing coating	painted
Weight	250 g
Recommended actuator	AZ 3350-B1, AZ 3350-B5, AZ 3350-B1R, AZ 3350-B5R, AZ 3350-B6, AZ 3350-B6H

## Mechanical data

---

Design of electrical connection	Screw connection
Cable section	
- Min. Cable section	0,75 mm <sup>2</sup>
- Max. Cable section	2.5 mm <sup>2</sup>
Mechanical life	1.000.000 operations
notice	All indications about the cable section are including the conductor ferrules.
higher Latching force (Y/N)	No
Shearing force	15.000 N
Positive break force	5 N for each NC contact fitted
positive break travel	10.7 mm
Door hinge	left

## Ambient conditions

---

Ambient temperature	
- Min. environmental temperature	-30 °C
- Max. environmental temperature	+90 °C
Protection class	IP67 to IEC/EN 60529

## Electrical data

---

Design of control element	Normally open contact (NO), Opener (NC)
Switching principle	Slow action with overlapping contacts
Number of auxiliary contacts	1 piece
Number of safety contacts	2 piece
Rated impulse withstand voltage $U_{imp}$	4 kV
Rated insulation voltage $U_i$	250 V
Thermal test current $I_{the}$	10 A
Utilisation category	AC-15: 230 V / 4 A, DC-13: 24 V / 4 A
Max. fuse rating	6 A gG D-fuse

## ATEX

---

Explosion protection categories for gases	None
Explosion protected category for dusts	None

## Dimensions

---

#### Dimensions of the sensor

- Width of sensor	40.5 mm
- Height of sensor	114 mm
- Length of sensor	38 mm

#### Included in delivery

---

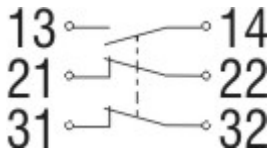
Mounting plate for safety switch

Actuator incl. mounting plate


emergency handle

#### Diagram


---

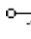


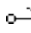
Note Diagram

 positive break NC contact

 active

 no active

 Normally-open contact

 Normally-closed contact

#### Ordering suffix

---

The applicable ordering suffix is added at the end of the part number of the safety switch.

Order example: AZ 3350-12ZUEK-1637

...-1637 0,3 µm gold-plated contacts

#### Ordering code

---

AZ 3350-(1)-(2)-(3)

(1)

03ZK

3 Opener (NC)

12ZUEK

1 Normally open contact (NO) / 2 Opener (NC)

(2)

1637

gold-plated contacts

(3)

U90

Actuating head rotated by 90° for Door hinge left

U270

Actuating head rotated by 270° for Door hinge right

#### Documents

---

Operating instructions and Declaration of conformity (cs) 398 kB, 12.09.2014

Code: mrl\_az3350\_cs

Operating instructions and Declaration of conformity (pl) 409 kB, 20.04.2016

Code: mrl\_az3350\_pl

**Operating instructions and Declaration of conformity (it)** 357 kB, 22.04.2016

Code: mrl\_az3350\_it

**Operating instructions and Declaration of conformity (nl)** 558 kB, 18.08.2011

Code: mrl\_az3350\_nl

**Operating instructions and Declaration of conformity (jp)** 845 kB, 07.06.2011

Code: mrl\_az3350\_jp

**Operating instructions and Declaration of conformity (es)** 563 kB, 02.05.2011

Code: mrl\_az3350\_es

**Operating instructions and Declaration of conformity (da)** 389 kB, 26.01.2012

Code: mrl\_az3350\_da

**Operating instructions and Declaration of conformity (fr)** 811 kB, 14.12.2010

Code: mrl\_az3350\_fr

**Operating instructions and Declaration of conformity (de)** 361 kB, 07.04.2016

Code: mrl\_az3350\_de

**Operating instructions and Declaration of conformity (en)** 376 kB, 07.04.2016

Code: mrl\_az3350\_en

**Operating instructions and Declaration of conformity (sv)** 386 kB, 22.05.2012

Code: mrl\_az3350\_sv

**Operating instructions and Declaration of conformity (pt)** 391 kB, 19.01.2012

Code: mrl\_az3350\_pt

**BG-test certificate (en)** 130 kB, 12.01.2015

Code: z\_az3p02

**BG-test certificate (de)** 131 kB, 12.01.2015

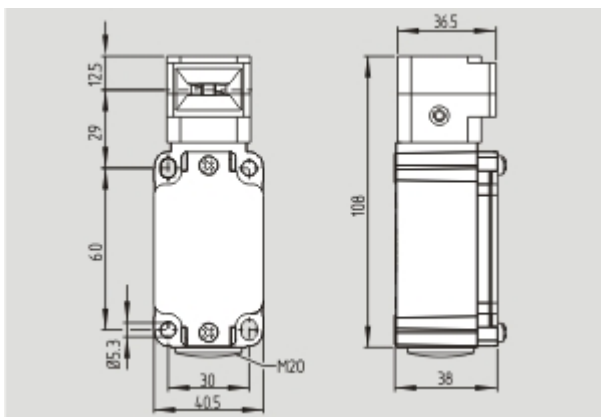
Code: z\_az3p01

**EAC certification (ru)** 844 kB, 05.10.2015

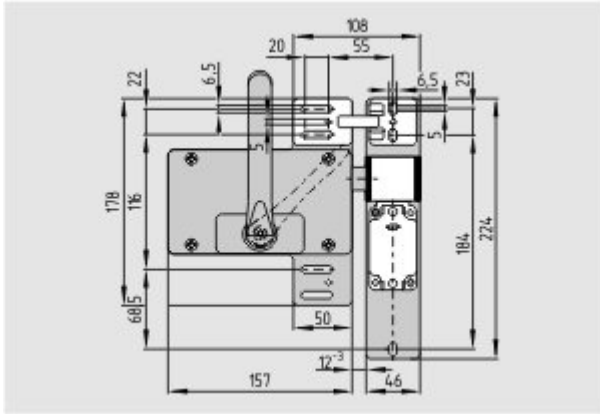
Code: q\_6037p17\_ru

## Images

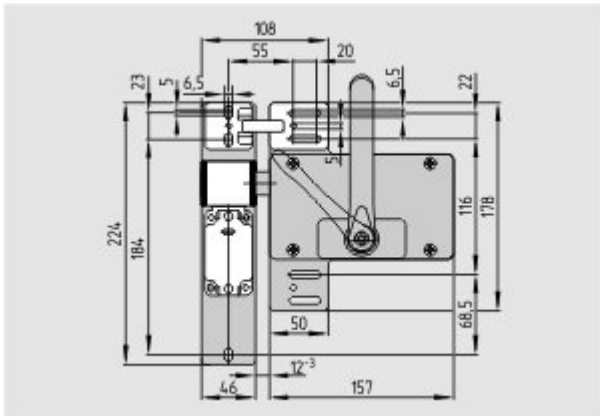
---



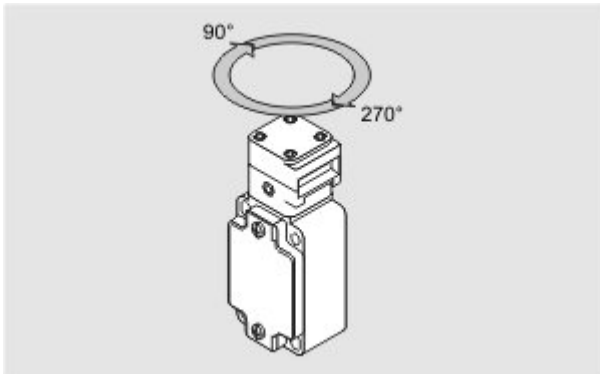
Dimensional drawing (basic component)



Dimensional drawing (miscellaneous)



Dimensional drawing (miscellaneous)



Application

## System components

### Actuator



101214073 - AZ 3350-B6H

- Particularly suitable for hinged guards

101214069 - AZ 3350-B6

- Particularly suitable for hinged guards



---

**101214072 - AZ 3350-B5R**

- Particularly suitable for hinged guards



---

**101214068 - AZ 3350-B1R**

- Particularly suitable for hinged guards



---

**101214067 - AZ 3350-B5**

- Particularly suitable for sliding doors



---

**101214066 - AZ 3350-B1**

- Particularly suitable for sliding doors

---

**Door-handle system****AZ 3350-ST30**

---

**Accessories****Lockout tag SZ 415**

- Suitable for mounting inside and outside of the hazardous area
- To prevent inadvertent closing, e.g. during maintenance
- For complex plant
- Prevents actuation of the switch
- Lockout tag with 3 circular holes

---

**Centring device**

- Pre-positioning
- The actuator is independent from the centring device.
- Smooth insertion or retraction of the actuator



---

K.A. Schmersal GmbH & Co. KG, Möddinghofe 30, D-42279 Wuppertal

The data and values have been checked thoroughly. Technical modifications and errors excepted.

Generiert am 15.07.2016 - 16:48:12h Kasbase 3.2.4.F.64I