

Datasheet - AZ 3350-B1

Safety switch with separate actuator / AZ 3350 / Actuator



Preferred typ

• Particularly suitable for sliding doors



(Minor differences between the printed image and the original product may exist!)

Ordering details

Product type description	AZ 3350-B1
Article number	101214066
EAN code	4030661398013
eCl@ss	27-27-92-16

Global Properties

Product name	Gummigelagerter gerader Betätiger B1
Weight	380 g

Mechanical data

Design of actuators	straight, rigid
Minimum actuating radius	400 mm

notice

On hinged guards, minimum actuating radius at 90° to the plane of the actuator 700 mm
 minimum actuating radius on hinged guards in line with the plane of the actuator 400 mm
 The axis of the hinge should be 28 mm above the top edge of the safety switch and in the same plane

Documents

Operating instructions and Declaration of conformity (es) 170 kB, 11.04.2012

Code: mrl_az-3350-betaetiger_es

Operating instructions and Declaration of conformity (it) 169 kB, 11.04.2012

Code: mrl_az-3350-betaetiger_it

Operating instructions and Declaration of conformity (cs) 156 kB, 13.08.2012

Code: mrl_az-3350-betaetiger_cs

Operating instructions and Declaration of conformity (da) 170 kB, 11.04.2012

Code: mrl_az-3350-betaetiger_da

Operating instructions and Declaration of conformity (jp) 210 kB, 11.04.2012

Code: mrl_az-3350-betaetiger_jp

Operating instructions and Declaration of conformity (en) 113 kB, 24.02.2014

Code: mrl_az-3350-betaetiger_en

Operating instructions and Declaration of conformity (pt) 153 kB, 19.01.2012

Code: mrl_az-3350-betaetiger_pt

Operating instructions and Declaration of conformity (nl) 169 kB, 11.04.2012

Code: mrl_az-3350-betaetiger_nl

Operating instructions and Declaration of conformity (pl) 147 kB, 29.01.2015

Code: mrl_az-3350-betaetiger_pl

Operating instructions and Declaration of conformity (sv) 154 kB, 22.05.2012

Code: mrl_az-3350-betaetiger_sv

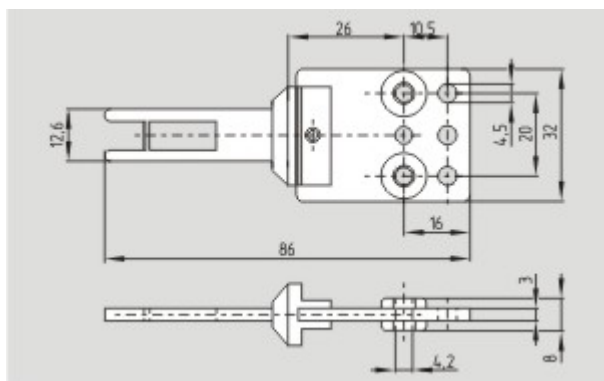
Operating instructions and Declaration of conformity (fr) 170 kB, 11.04.2012

Code: mrl_az-3350-betaetiger_fr

Operating instructions and Declaration of conformity (de) 115 kB, 24.02.2014

Code: mrl_az-3350-betaetiger_de

Images



Dimensional drawing (actuator)