

**Datasheet - AZM 161-B6-2177 WITH CENTERING GUIDE**

Solenoid interlock / AZM 161 / Actuator

 Preferred typ

- For very small actuating radii



(Minor differences between the printed image and the original product may exist!)

**Ordering details**

Product type description	AZM 161-B6-2177 MIT ZENTRIERHILFE
Article number	101174113
EAN code	4030661303291
eCl@ss	27-27-92-16

**Global Properties**

Product name	Beweglicher Betätiger B6-2177 mit Zentrierhilfe
Weight	35 g

**Mechanical data**

Design of actuators	flexible
Minimum actuating radius	95 mm

**notice**

Similarly, minimum actuating radius 95 mm in line with the plane of the actuator, adjustable using an hexagonal key wrench 2,5 mm A/F (a)  
On hinged guards, minimum actuating radius 95 mm, at 90° to the plane of the actuator, adjustable using an hexagonal key wrench 2,5 mm A/F (b)

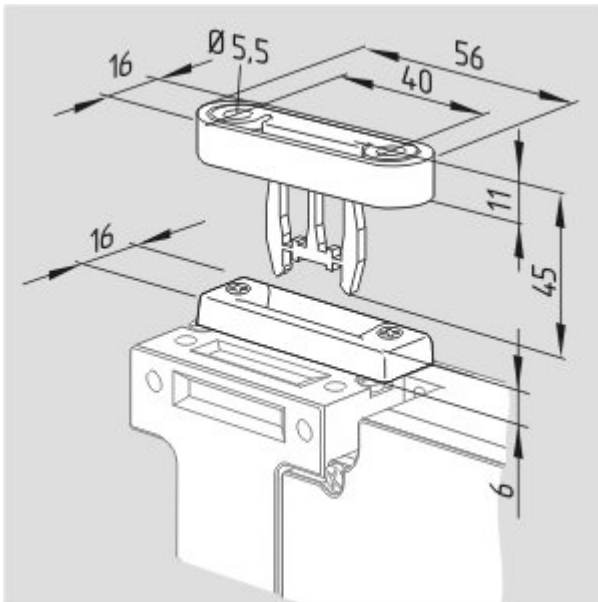
**Documents**

**Mounting and wiring instructions** (de, en, fr, it, es, jp) 203 kB, 08.07.2008

Code: m\_zm1p02

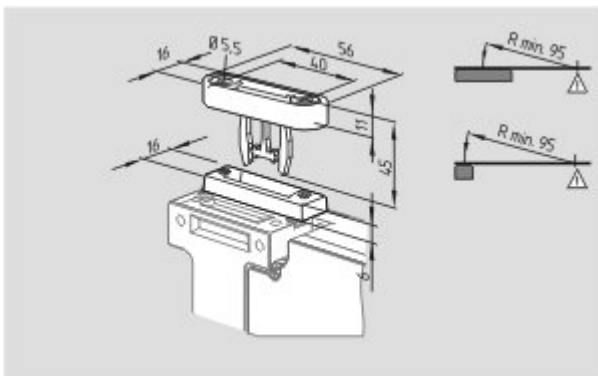
## Images

---



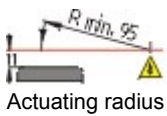
Dimensional drawing (miscellaneous)

---



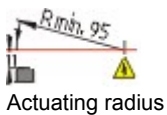
Dimensional drawing (miscellaneous)

---



Actuating radius

---



Actuating radius

---

K.A. Schmersal GmbH & Co. KG, Mödinghofe 30, D-42279 Wuppertal

The data and values have been checked thoroughly. Technical modifications and errors excepted.

Generiert am 15.07.2016 - 17:36:36h Kasbase 3.2.4.F.64I