

## Datasheet - AZ 15/16-B1-2024 WITH SLOT SEALING PLUG



Safety switch with separate actuator / AZ 16 / Actuator AZ 16

Preferred typ



• For protection against the ingress of course dirt

(Minor differences between the printed image and the original product may exist!)

### Ordering details

Product type description	AZ 15/16-B1-2024 MIT SCHLITZABDECKUNG
Article number	101108278
EAN code	4030661100524
eCl@ss	27-27-92-16

### Global Properties

Product name	Gerader Betätiger B1-2024 mit Schlitzabdeckung
Weight	35 g

### Mechanical data

Design of actuators	straight, rigid
Minimum actuating radius	150 mm

### notice

Minimum actuating radius on hinged guards 150 mm

The axis of the hinge should be 11 mm above the top edge of the safety switch and in the same plane

### Documents

**Operating instructions and Declaration of conformity (fi)** 101 kB, 02.07.2015

Code: mrl\_az15-16-betaetiger\_fi

**Operating instructions and Declaration of conformity (es)** 115 kB, 12.02.2014

Code: mrl\_az15-16-betaetiger\_es

**Operating instructions and Declaration of conformity (it)** 114 kB, 10.02.2014

Code: mrl\_az15-16-betaetiger\_it

**Operating instructions and Declaration of conformity (de)** 296 kB, 30.01.2014

Code: mrl\_az15-16-betaetiger\_de

**Operating instructions and Declaration of conformity (cn)** 137 kB, 30.06.2015

Code: mrl\_az15-16-betaetiger\_cn

**Operating instructions and Declaration of conformity (nl)** 114 kB, 11.03.2014

Code: mrl\_az15-16-betaetiger\_nl

**Operating instructions and Declaration of conformity (pt)** 115 kB, 23.05.2014

Code: mrl\_az15-16-betaetiger\_pt

**Operating instructions and Declaration of conformity (jp)** 165 kB, 11.08.2014

Code: mrl\_az15-16-betaetiger\_jp

**Operating instructions and Declaration of conformity (en)** 114 kB, 24.02.2014

Code: mrl\_az15-16-betaetiger\_en

**Operating instructions and Declaration of conformity (pl)** 155 kB, 11.03.2014

Code: mrl\_az15-16-betaetiger\_pl

**Operating instructions and Declaration of conformity (fr)** 114 kB, 14.04.2014

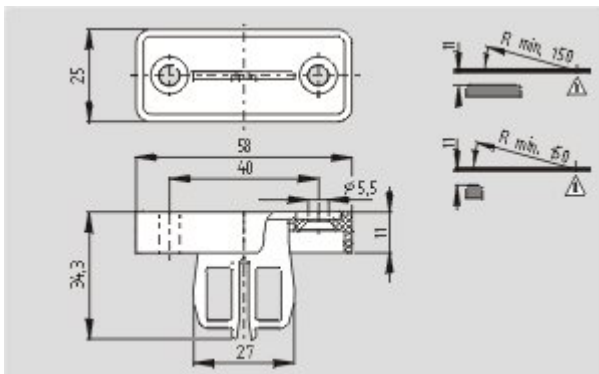
Code: mrl\_az15-16-betaetiger\_fr

**Operating instructions and Declaration of conformity (sv)** 113 kB, 17.06.2015

Code: mrl\_az15-16-betaetiger\_sv

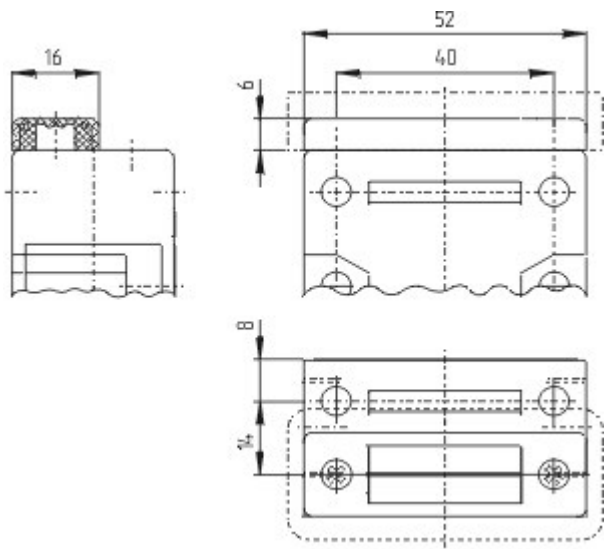
## Images

---

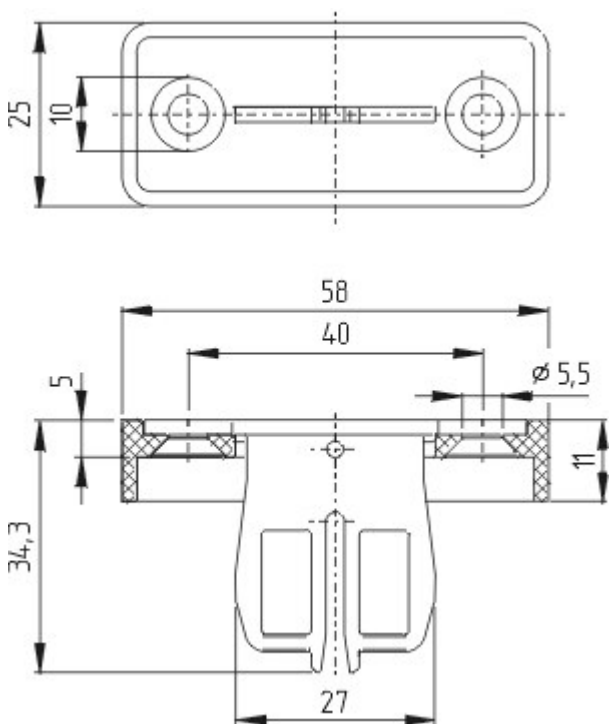


Dimensional drawing (actuator)

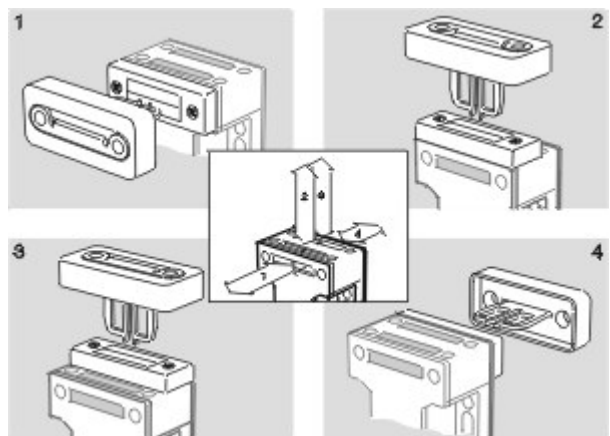
---



Dimensional drawing (miscellaneous)



Dimensional drawing (miscellaneous)



Operating principle