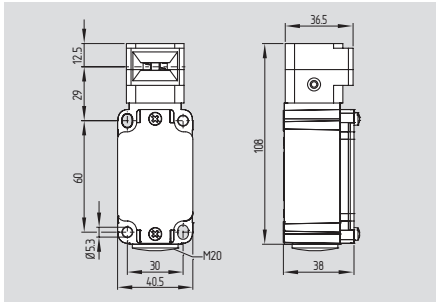


Safety switch with separate actuator

AZ 3350



- Metal enclosure
- 3 contacts
- Long life
- High level of contact reliability with low voltages and currents
- Mounting details to EN 50041
- Actuator heads can be repositioned in steps 4 x 90°
- Can be mounted on a flat surface
- 1 cable entry M20
- Slotted holes for adjustment, circular holes for location
- EX version available

Technical data

Standards: IEC/EN 60947-5-1
BG-GS-ET-15

Enclosure: light-alloy diecast, paint finish

Actuator: steel

Protection class: IP67

Contact material: silver

Contact type: change-over contact with double break, type Zb or 3 NC contacts, with galvanically separated contact bridges

Switching principle: ⊖ IEC 60947-5-1 slow action, NC contact with positive break

Connection: screw terminals

Cable section: max. 2.5 mm², min. 0.75 mm² (incl. conductor ferrules)

Cable entry: M20

U_{imp}: 4 kV

U_i: 250 V

I_{the}: 10 A

Utilization category: AC-15; DC-13

I_e/U_e: 4 A / 230 VAC
4 A / 24 VDC

Max. fuse rating: 6 A gG D-fuse

Positive break travel: 10.7 mm

Positive break force: 5 N for each NC contact fitted

Ambient temperature: -30 °C ... +90 °C

Mechanical life: > 1 million operations

Latching force: 5 N

Actuating speed: max. 0.2 m/s

Max. switching frequency: 1,200 operations/h

Classification:

Standards: EN ISO 13849-1

B_{10d} (NC): 2,000,000

B_{10d} (NO): 1,000,000

for max. 10% ohmic contact load

Mission time: 20 years

$$MTTF_d = \frac{B_{10d}}{0,1 \times n_{op}} \quad n_{op} = \frac{d_{op} \times h_{op} \times 3600 \text{ s/h}}{t_{cycle}}$$

Contact variants

1 NO / 2 NC



3 NC



Approvals



Ordering details

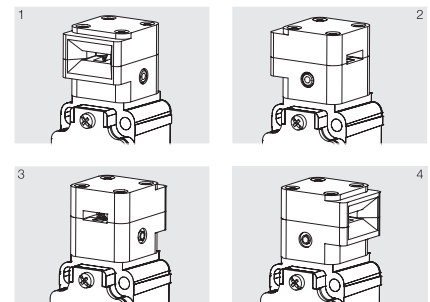
AZ 3350-①-②-③

No.	Option	Description
①	03ZK	3 NC
	12ZUEK	1 NO / 2 NC
②	1637	Gold-plated contacts
③	U90	Actuator head forward Actuating head rotated 90° for door hinge left
	U270	Actuating head rotated 270° for door hinge right

Note

Actuators must be ordered separately.

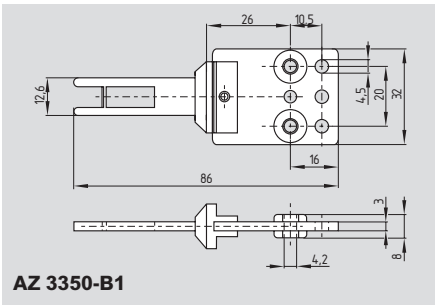
Note



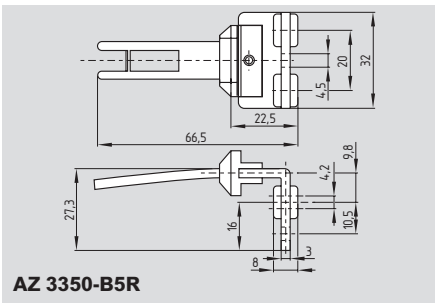
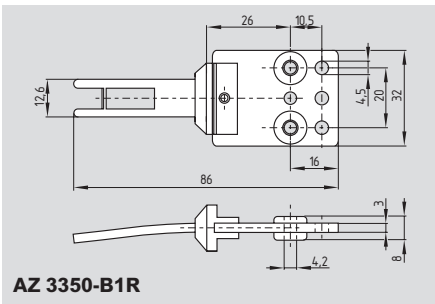
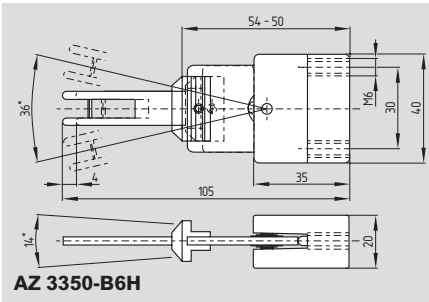
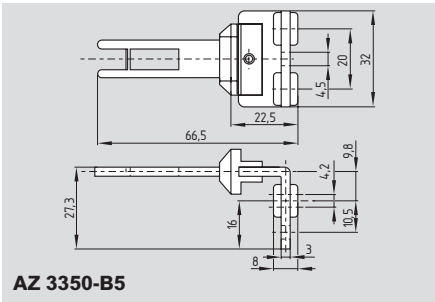
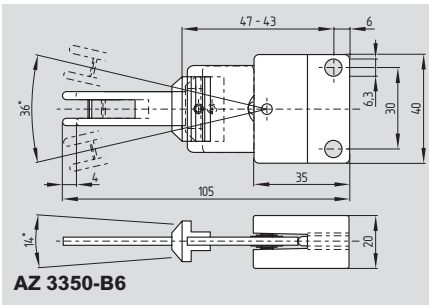
By turning the head in 4 x 90° steps, 4 actuating planes are possible. A Torx T15 tool is needed for this purpose.

Safety switch with separate actuator

System components



System components



Ordering details

Actuator **AZ 3350-B1**
 Actuator **AZ 3350-B5**
 Actuator **AZ 3350-B1R**
 Actuator **AZ 3350-B5R**

The actuators are not suitable for explosive areas.

Ordering details

Actuator **AZ 3350-B6**
 Actuator **AZ 3350-B6H**

The actuators are not suitable for explosive areas.

Centering device
 Mounting outside **TFA-020**
 Mounting inside **TFI-020**
 (Product information see page 1-52)