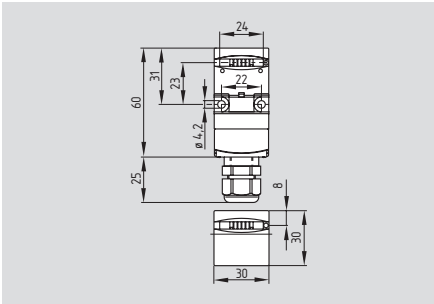


# Safety switch with separate actuator

## AZ 17-...I



- With individual coding, up to 200 combinations
- Thermoplastic enclosure
- Small body
- Long life
- Double insulated □
- Including cable gland M16
- Slot sealing plug included
- High level of contact reliability with low voltages and currents
- Not sensitive to dirty conditions by virtue of patented roller system
- 8 actuating planes
- Cut clamp terminals (IDC method) or connector

## Technical data

Standards: IEC/EN 60947-5-1  
BG-GS-ET-15  
Enclosure: glass fiber reinforced thermoplastic, self-extinguishing  
Actuator: stainless steel 1.4301  
Protection class: IP67 to EN 60529  
Contact material: silver  
Contact type: change-over contact with double break, type Zb or 2 NC contacts, with galvanically separated contact bridges

Switching principle: ⊖ IEC 60947-5-1  
slow action,  
NC contact with positive break

Connection: cut clamp terminals (IDC method) or connector M12, 4-pole

Cable section: 0.75 - 1.0 mm<sup>2</sup>, flexible  
U<sub>imp</sub>: 4 kV  
U<sub>i</sub>: 250 V  
I<sub>the</sub>: 10 A  
Utilization category: AC-15  
I<sub>g</sub>/U<sub>e</sub>: 4 A / 230 VAC  
Max. fuse rating: 6 A gG D-fuse  
Positive break travel: 11 mm  
Positive break force: 17 N for each NC contact fitted

Ambient temperature: -30 °C ... +80 °C  
Mechanical life: > 1 million operations  
Latching force: 30 N for ordering suffix R

**Classification:**  
Standards: EN ISO 13849-1  
B<sub>10d</sub> (NC): 2,000,000  
B<sub>10d</sub> (NO): 1,000,000  
for max. 10% ohmic contact load  
Mission time: 20 years

$$MTTF_d = \frac{B_{10d}}{0,1 \times n_{op}} \quad n_{op} = \frac{d_{op} \times h_{op} \times 3600 \text{ s/h}}{t_{cycle}}$$

## Contact variants

**1 NO / 1 NC**

**2 NC**

**Connector**  
**1 NO / 1 NC**

**2 NC**



## Approvals



## Ordering details

AZ 17-1Z2I-3-4-5

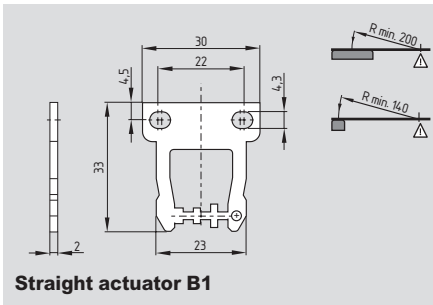
No.	Option	Description
①	11 02	1 NO / 1 NC 2 NC
②	R	Latching force 5 N Latching force 30 N
③	ST	Cable gland M16 Connector M12
④	B1 B5 B6L B6R	Incl. actuator B1 Incl. actuator B5 Incl. actuator B6L Incl. actuator B6R
⑤	1637	Gold-plated contacts

## Note

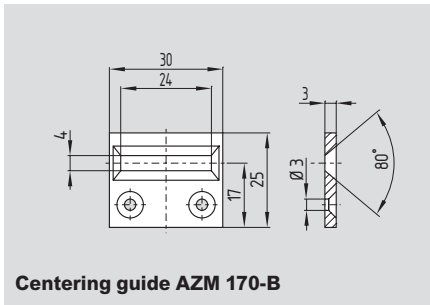
The part number of the actuator is appended to the part number of the switch. The actuators are **not individually** available.

# Safety switch with separate actuator

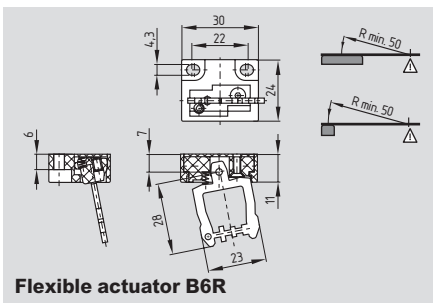
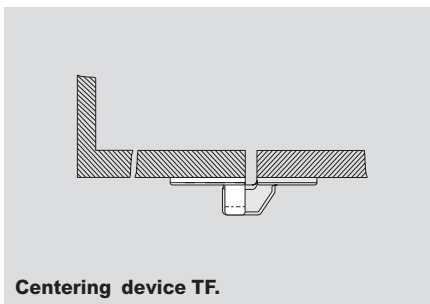
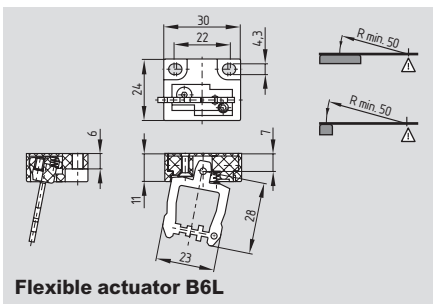
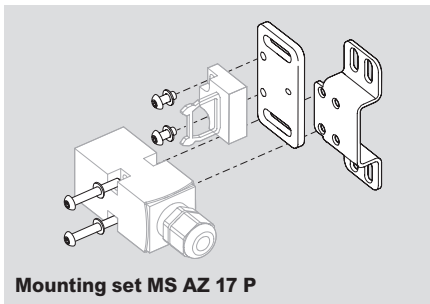
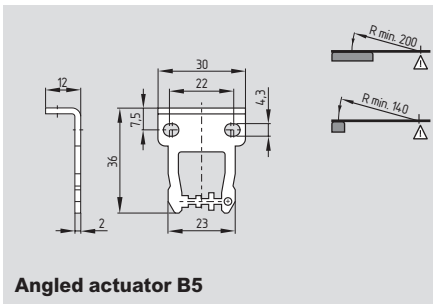
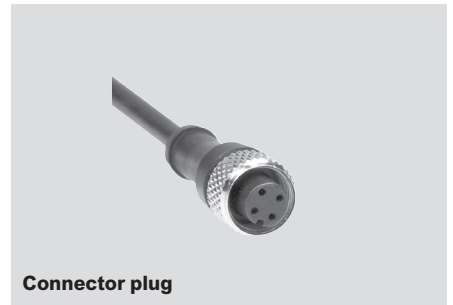
## System components



## System components



## System components



## Ordering details

Straight actuator  
 Angled actuator  
 Flexible actuator left  
 Flexible actuator right

**B1** Centering guide  
**B5** Mounting set  
**B6L**  
**B6R**

## Ordering details

**Centering device**  
 Mounting outside  
 Mounting inside  
 (Product information see page 1-52)

**AZM 170-B**  
**MS AZ 17 P**  
**MS AZ 17 R/P**

**TFA-020**  
**TFI-020**

## Ordering details

Connector plug M12, 4-pole  
 without cable  
 with cable 5 m

**101209950**  
**101208523**

Tamperproof screws with  
 unidirectional slots M4 x 8  
 (Quantity 2 pcs)

**101147463**