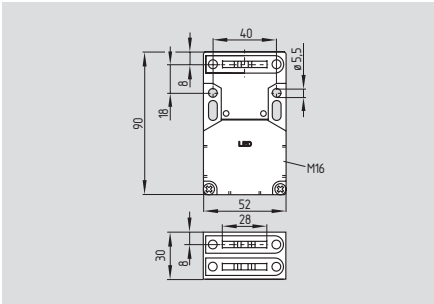


Safety switch with separate actuator

AZ 16-...I



- With individual coding, up to 600 combinations
- Thermoplastic enclosure
- Long life
- Double insulated
- 3 cable entries M16
- Large wiring compartment
- High level of contact reliability with low voltages and currents
- Not sensitive to dirty conditions by virtue of patented roller system
- Slotted holes for adjustment, circular holes for location

Technical data

Standards: IEC/EN 60947-5-1
BG-GS-ET-15

Enclosure: glass fiber reinforced thermoplastic, self-extinguishing

Actuator: stainless steel 1.4301

Protection class: IP67 to EN 60529

Contact material: silver

Contact type: change-over contact with double break, type Zb or 2 NC or 3 NC contacts, with galvanically separated contact bridges

Switching principle: \ominus IEC 60947-5-1 slow action, NC contact with positive break

Connection: screw terminals or connector M12, 4-pole

Cable section: max. 2.5 mm²
min. 0.25 mm²
(incl. conductor ferrules)

Cable entry: 3 x M20

U_{imp} : 6 kV

U_i : 500 V

I_{the} : 10 A

Utilization category: AC-15, DC-13

I_e/U_e : 4 A / 230 VAC
4 A / 24 VDC

Max. fuse rating: 6 A gG D-fuse

Positive break travel: 8 mm

Positive break force: 10 N for each NC contact fitted

Ambient temperature: -30 °C ... +80 °C

Mechanical life: > 1 million operations

Latching force: 30 N for ordering suffix R

Actuating speed: max. 0.2 m/s

Max. switching frequency: 4,000 operations/h

Classification:

Standards: EN ISO 13849-1

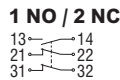
B_{10d} (NC): 2,000,000

B_{10d} (NO): 1,000,000
for max. 10% ohmic contact load

Mission time: 20 years

$$MTTF_d = \frac{B_{10d}}{0,1 \times n_{op}} \quad n_{op} = \frac{d_{op} \times h_{op} \times 3600 \text{ s/h}}{t_{cycle}}$$

Contact variants



Approvals



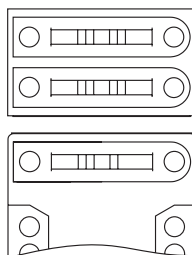
Ordering details

AZ16-①ZI-②-③-④

No.	Option	Description
①	03	3 NC
	12	1 NO / 2 NC
②	B1	Incl. actuator B1
	B1-1747	Incl. actuator B1-1747
	B1-2024	Incl. actuator B1-2024
	B1-2053	Incl. actuator B1-2053
	B1-2177	Incl. actuator B1-2177
③	1762	Front mounting
④	M16	Cable entry M16
	M20	Cable entry M20

Note

The actuating direction of the actuator is identified by means of the marking on the enclosure.

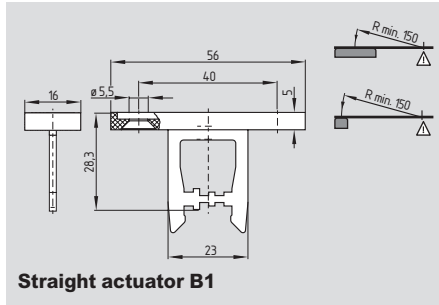


Note

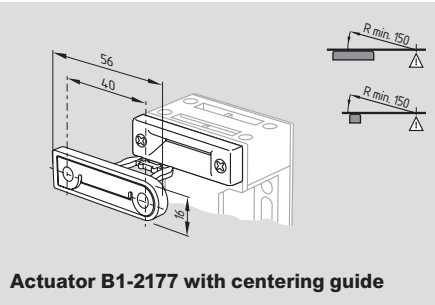
The part number of the actuator is appended to the part number of the switch. The actuators are **not individually** available.

Safety switch with separate actuator

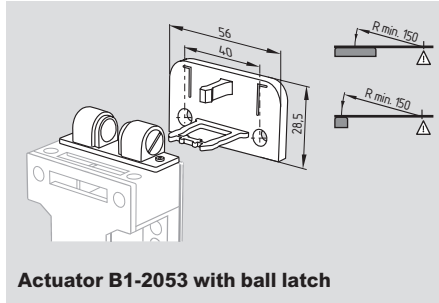
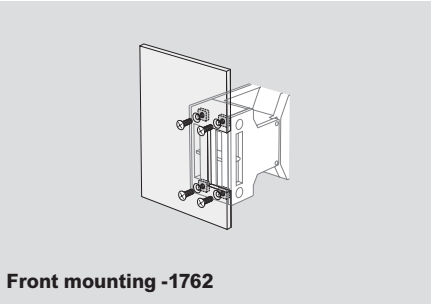
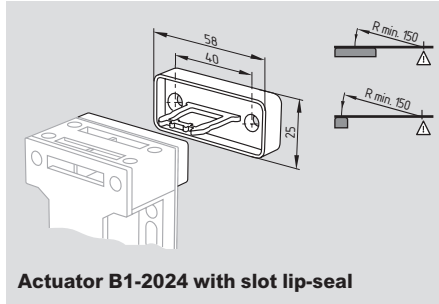
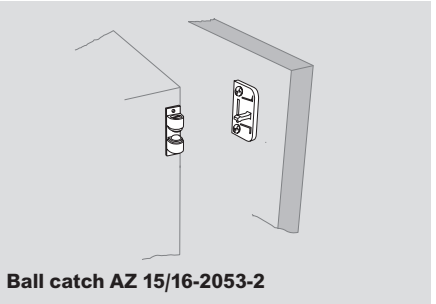
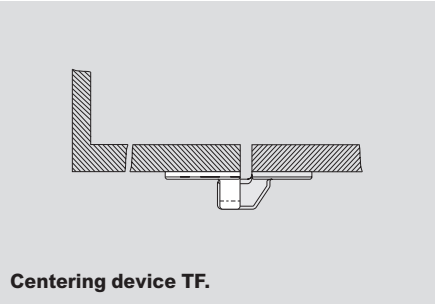
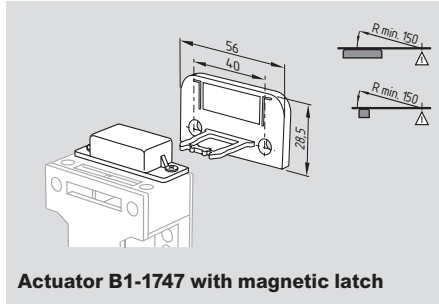
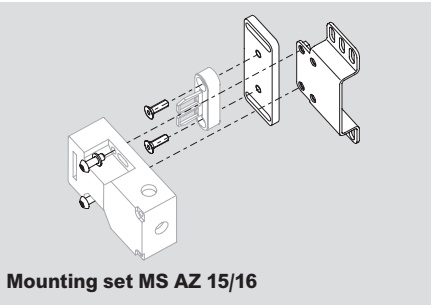
System components



System components



System components



Ordering details

Straight actuator with magnetic latch
with slot lip-seal
with ball latch

Ordering details

Straight actuator with centering guide
Centering device
Mounting outside
Mounting inside
(Product information see page 1-52)

Ordering details

Mounting set
Ball catch
Front mounting with M5 nuts
Tamperproof screws with unidirectional slots
M5 x 12
M5 x 16
M5 x 20
(Quantity 2 pcs)