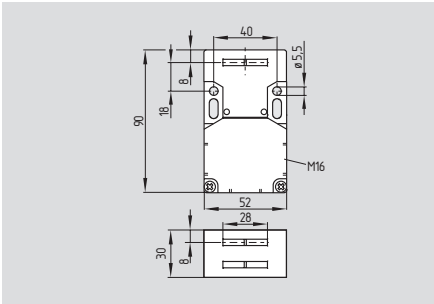


# Safety switch with separate actuator

## AZ 16



- Thermoplastic enclosure
- Long life
- Double insulated □
- 3 cable entries M20
- Large wiring compartment
- High level of contact reliability with low voltages and currents
- Not sensitive to dirty conditions by virtue of patented roller system
- Available with LED
- Slotted holes for adjustment, circular holes for location
- EX version available
- AS-Interface Safety at Work available

### Approvals



### Ordering details

AZ16-①ZV②K-③-④-⑤

No.	Option	Description
①		1 NO / 1 NC
	02	2 NC
	03	3 NC
	12	1 NO / 2 NC
②	R	Ejection force 30 N
	G24	With LED
④		Cable entry M20
	M16	Cable entry M16
	ST	Connector M12 bottom
	STL	Connector M12 left
	STR	Connector M12 right

## Technical data

Standards: IEC/EN 60947-5-1  
BG-GS-ET-15

Enclosure: glass fiber reinforced thermoplastic, self-extinguishing

Actuator: stainless steel 1.4301

Protection class: IP67 to EN 60529

Contact material: silver

Contact type: change-over contact with double break, type Zb or 2 NC or 3 NC contacts, with galvanically separated contact bridges

Switching principle: ⊖ IEC 60947-5-1 slow action, NC contact with positive break

Connection: screw terminals or connector M12, 4-pole

Cable section: max. 2.5 mm<sup>2</sup> min. 0.25 mm<sup>2</sup> (incl. conductor ferrules)

Cable entry: 3 x M20

U<sub>imp</sub>: 6 kV

U<sub>i</sub>: 500 V

I<sub>the</sub>: 10 A

Utilization category: AC-15, DC-13

I<sub>e</sub>/U<sub>e</sub>: 4 A / 230 VAC  
4 A / 24 VDC

Max. fuse rating: 6 A gG D-fuse

Positive break travel: 8 mm

Positive break force: 10 N for each NC contact fitted

Ambient temperature: -30 °C ... +80 °C

Mechanical life: > 1 million operations

Latching force: 30 N for ordering suffix R

Actuating speed: max. 2 m/s

Max. switching frequency: 4,000 operations/h

**Classification:**

Standards: EN ISO 13849-1

B<sub>10d</sub> (NC): 2,000,000

B<sub>10d</sub> (NO): 1,000,000

for max. 10% ohmic contact load

Mission time: 20 years

$$MTTF_d = \frac{B_{10d}}{0,1 \times n_{op}} \quad n_{op} = \frac{d_{op} \times h_{op} \times 3600 \text{ s/h}}{t_{cycle}}$$

## Contact variants

**1 NO / 1 NC**

**2 NC**

**3 NC**

**1 NO / 2 NC**

**Connector 1 NO / 1 NC**



**2 NC**

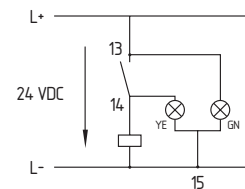
### Ordering details

AZ16-①ZV②K-③-④-⑤

No.	Option	Description
⑤	2254	Latching force 5 N
	1762	Front mounting
	1637	Gold-plated contacts

### Note

Actuators must be ordered separately.

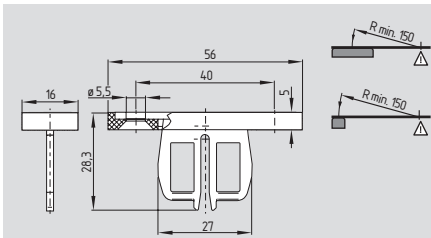


### LED version:

Ordering suffix G24, only available for version with one NO and one NC contact. Protected against incorrect polarity and voltage spikes.

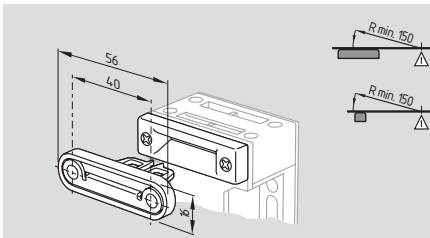
# Safety switch with separate actuator

## System components



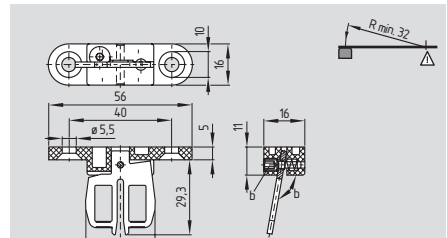
**Straight actuator AZ 15/16-B1**

## System components

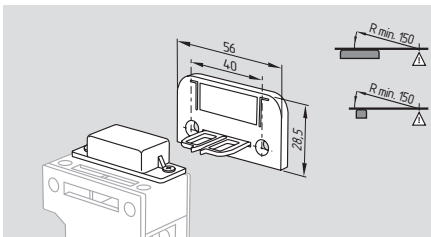


**AZ 15/16-B1-2177 with centering guide**

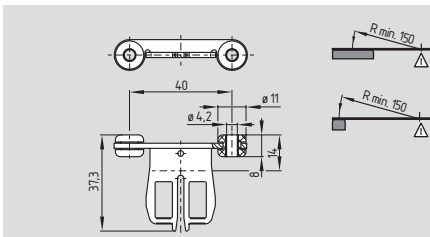
## System components



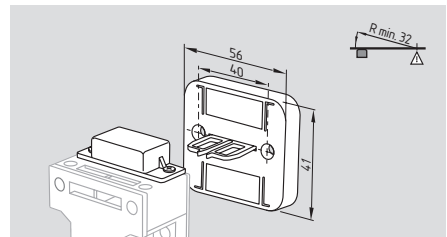
**Flexible actuator AZ 15/16-B3**



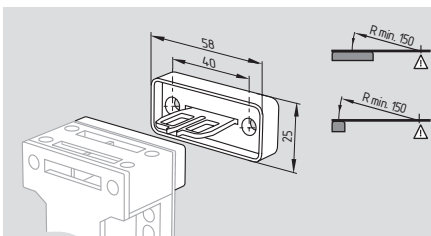
**AZ 15/16-B1-1747 with magnetic latch**



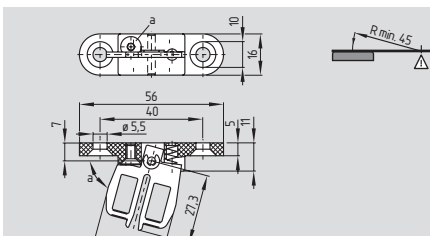
**AZ 15/16-B1-2245 with rubber mounting**



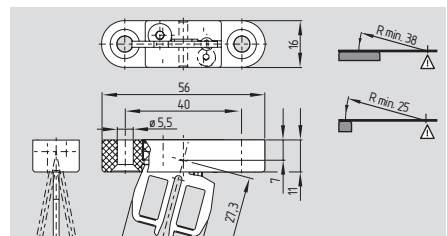
**AZ 15/16-B3-1747 with magnetic latch**



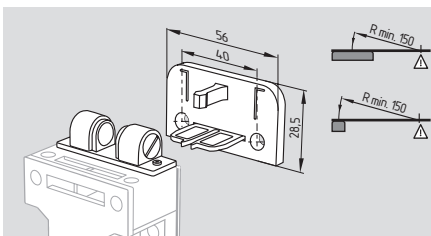
**AZ 15/16-B1-2024 with slot lip-seal**



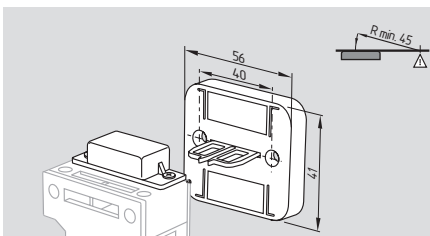
**Flexible actuator AZ 15/16-B2**



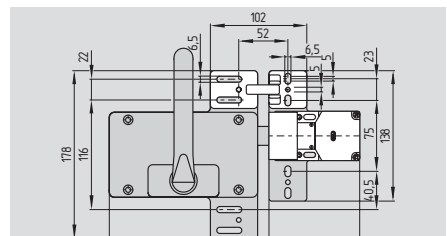
**Flexible actuator AZ 15/16-B6**



**AZ 15/16-B1-2053 with ball latch**



**AZ 15/16-B2-1747 with magnetic latch**



**Actuator AZ 16-STS30**

## Ordering details

Straight actuator with magnetic latch  
with slot lip-seal  
with ball latch

**AZ 15/16-B1**  
**AZ 15/16-B1-1747**  
**AZ 15/16-B1-2024**  
**AZ 15/16-B1-2053**

Straight actuator with centering guide with rubber mounting  
Flexible actuator with magnetic latch

**AZ 15/16-B1-2177**  
**AZ 15/16-B1-2245**  
**AZ 15/16-B2**  
**AZ 15/16-B2-1747**

Flexible actuator with magnetic latch  
Flexible actuator with centering guide

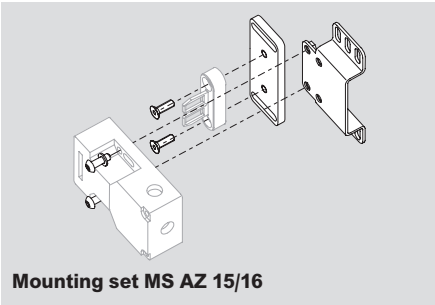
**AZ 15/16-B3**  
**AZ 15/16-B3-1747**  
**AZ 15/16-B6**  
**AZ 15/16-B6-2177**

Door handle actuator with or without emergency handle  
A detailed product description can be found on page 1-11

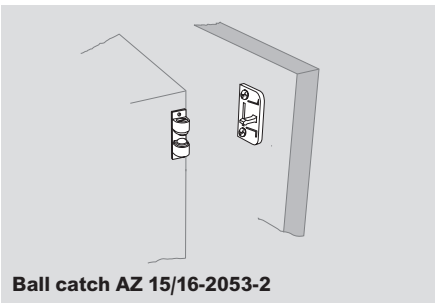
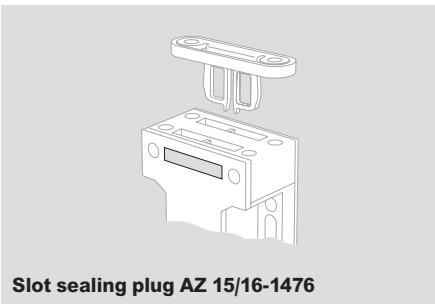
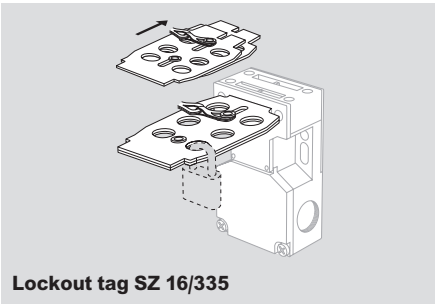
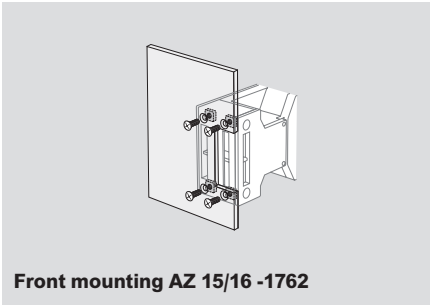
**AZ 16-STS30**

# Safety switch with separate actuator

## System components



## System components



## Ordering details

Mounting set	<b>MS AZ 15/16 P</b>
	<b>MS AZ 15/16 R/P</b>
Lockout tag	<b>SZ 16/335</b>
Slot sealing plug	<b>AZ 15/16-1476</b>
Ball catch	<b>AZ 15/16-2053-2</b>

## Ordering details

Front mounting with M5 nuts	<b>-1762</b>
Connector plug M12, 4-pole without cable	<b>101209950</b>
with cable 5 m	<b>101208523</b>
Connector plug M12, 8-pole with cable 5 m	<b>103011412</b>
Tamperproof screws with unidirectional slots	
M5 x 12	<b>101135338</b>
M5 x 16	<b>101135339</b>
M5 x 20	<b>101135340</b>
(Quantity 2 pcs)	

Key removal handle assembly **AZ15/16-B1-KRH**