

Datasheet - AZ 15/16-B1-1747

Safety switch with separate actuator / AZ 16 / Actuator AZ 16



Preferred typ

- For play-free interlocking of light guards
- The magnetic latch can be easily fitted in any actuating plane
- Suitable for retrofitting



(Minor differences between the printed image and the original product may exist!)

Ordering details

Product type description	AZ 15/16-B1-1747
Article number	101093553
EAN code	4030661099989
eCl@ss	27-27-92-16

Global Properties

Product name	Gerader Betätiger B1-1747 mit Haftmagnet
Weight	35 g

Mechanical data

Design of actuators	straight, rigid
Latching force	30 N
Minimum actuating radius	150 mm

notice

Minimum actuating radius on hinged guards 150 mm

The axis of the hinge should be 5 mm above the top edge of the safety switch and in the same plane

Documents

Operating instructions and Declaration of conformity (fi) 101 kB, 02.07.2015

Code: mrl_az15-16-betaetiger_fi

Operating instructions and Declaration of conformity (es) 115 kB, 12.02.2014

Code: mrl_az15-16-betaetiger_es

Operating instructions and Declaration of conformity (it) 114 kB, 10.02.2014

Code: mrl_az15-16-betaetiger_it

Operating instructions and Declaration of conformity (de) 296 kB, 30.01.2014

Code: mrl_az15-16-betaetiger_de

Operating instructions and Declaration of conformity (cn) 137 kB, 30.06.2015

Code: mrl_az15-16-betaetiger_cn

Operating instructions and Declaration of conformity (nl) 114 kB, 11.03.2014

Code: mrl_az15-16-betaetiger_nl

Operating instructions and Declaration of conformity (pt) 115 kB, 23.05.2014

Code: mrl_az15-16-betaetiger_pt

Operating instructions and Declaration of conformity (jp) 165 kB, 11.08.2014

Code: mrl_az15-16-betaetiger_jp

Operating instructions and Declaration of conformity (en) 114 kB, 24.02.2014

Code: mrl_az15-16-betaetiger_en

Operating instructions and Declaration of conformity (pl) 155 kB, 11.03.2014

Code: mrl_az15-16-betaetiger_pl

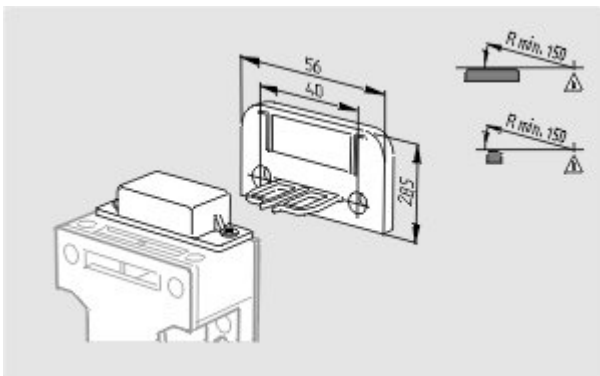
Operating instructions and Declaration of conformity (fr) 114 kB, 14.04.2014

Code: mrl_az15-16-betaetiger_fr

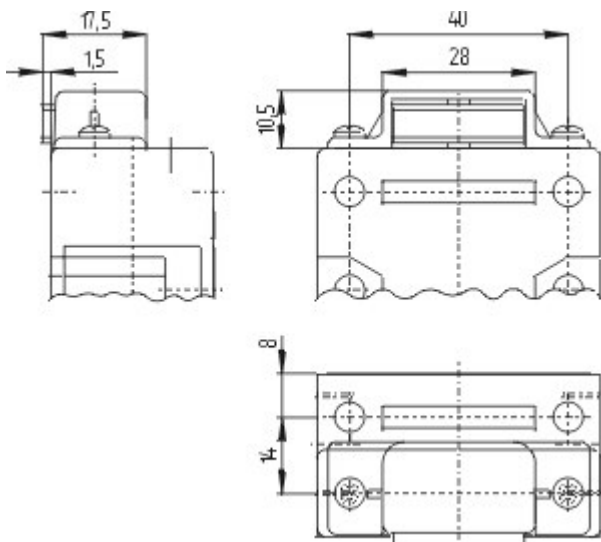
Operating instructions and Declaration of conformity (sv) 113 kB, 17.06.2015

Code: mrl_az15-16-betaetiger_sv

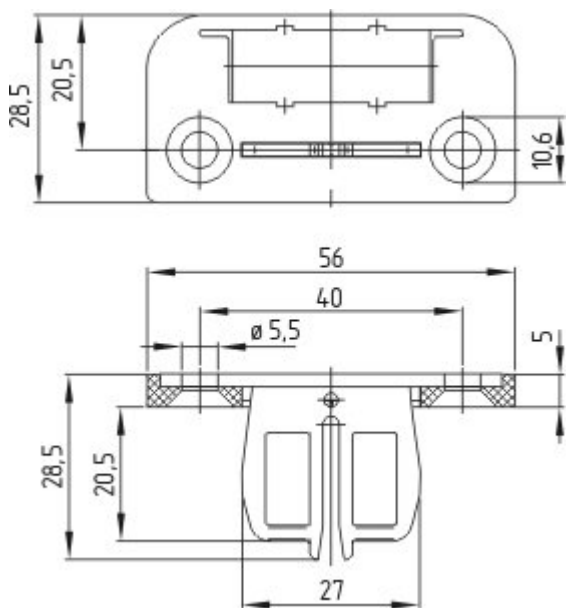
Images



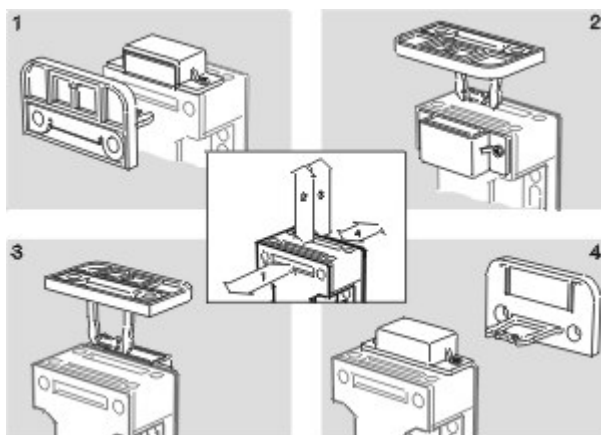
Dimensional drawing (actuator)



Dimensional drawing (miscellaneous)



Dimensional drawing (miscellaneous)



Operating principle