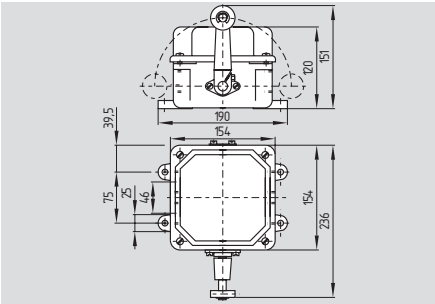


Position and limit switches

T 136



- Metal enclosure
- 3 or 4 contact, slow action ⊖
- 4 cable entries M25 x 1.5
- Protection class IP 65
- Splined shaft and lever available with 10° toothing

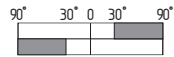
Technical data

Standards: IEC/EN 60947-5-1
 Enclosure: cast iron, galvanised, chromated, paint finish
 Protection class: IP 65 to EN 60529
 Contact material: silver
 Switching system: slow action, double break
 Contact type: positive break, NC contacts ⊖
 Termination: screw terminals M 6
 Cable section: max. 4 mm² (incl. conductor ferrules)
 U_{imp}: 6 kV
 U_i: 500 V
 I_{the}: 60 A
 I_e/U_e: 20 A / 400 VAC
 Utilisation category: AC-15
 Max. fuse rating: 20 A gL/gG D-fuse
 Max. motor power consumption: with 400 V 3-phase 15 kW (squirrel-cage rotor n = 1500 rpm)
 Contact opening: max. 2 x 3 mm
 Ambient temperature: -30 °C ... +90 °C
 Mechanical life: 1 million operations
 Switching frequency: max. 50/h
 Actuating speed: max. 3 m/s, min. 0.05 m/s
 Actuating angle: max. 30°
 Weight: approx. 5.9 kg

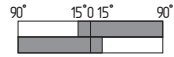
Contact variants

Roller lever

NO contact



NC contact



Approvals

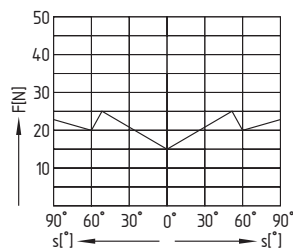


Ordering details

T 136-②y

No.	Replace	Description
①		For the appropriate actuator: see page 1-146
②	03	3 NC
	30	3 NO

Force-travel diagram



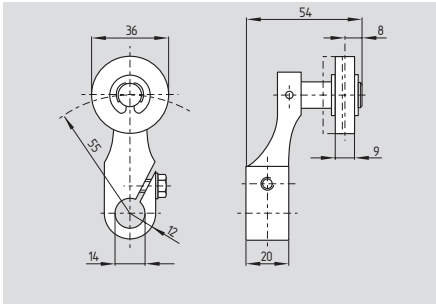
Note

The contact combinations can be found in the table on page 1-32.

A selection of turning levers can be found on page 1-146.

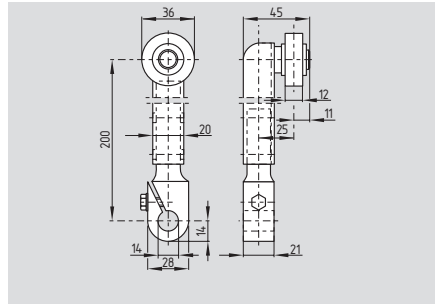
Position and limit switches

Roller lever L



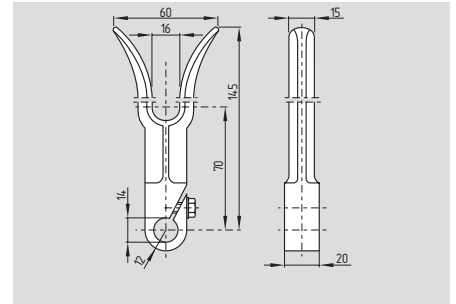
- Actuating speed max. 3 m/s with an actuating angle of α and $\beta = 30^\circ$
- Plastic roller
- Continuous adjustment of lever position 360°
- Splined shaft and lever available with 10° tothing
- Available with metal roller
- Available with rubber roller, ordering suffix -1

Roller lever V



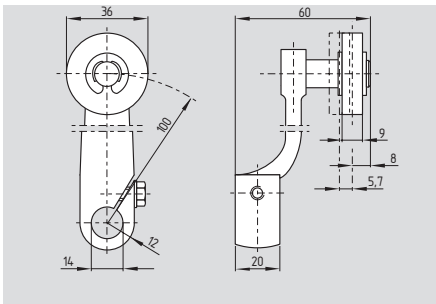
- Actuating speed max. 3 m/s with an actuating angle of α and $\beta = 30^\circ$
- Plastic roller
- Continuous adjustment of lever position 360°
- Splined shaft and lever available with 10° tothing
- Available with metal roller
- Available with rubber roller, ordering suffix -1

Fork lever C



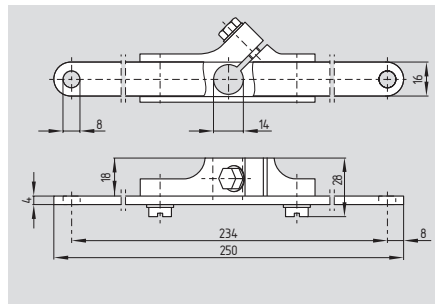
- Continuous adjustment of lever position 360°
- Splined shaft and lever available with 10° tothing

Roller lever A



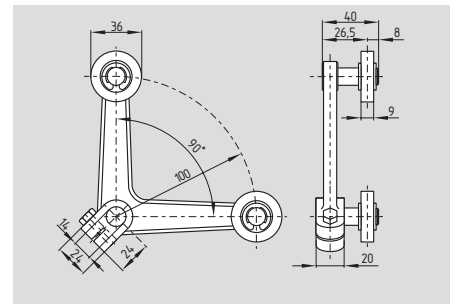
- Actuating speed max. 3 m/s with an actuating angle of α and $\beta = 30^\circ$
- Plastic roller
- Continuous adjustment of lever position 360°
- Splined shaft and lever available with 10° tothing
- Available with metal roller
- Available with rubber roller, ordering suffix -1

Pull lever Z



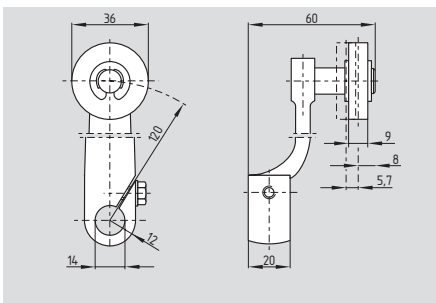
- Continuous adjustment of lever position 360°
- Splined shaft and lever available with 10° tothing

Offset roller lever 4D



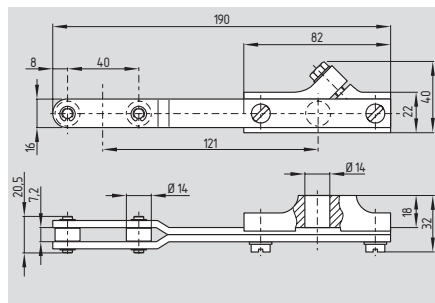
- Continuous adjustment of lever position 360°
- Splined shaft and lever available with 10° tothing

Roller lever 2A



- Actuating speed max. 3 m/s with an actuating angle of α and $\beta = 30^\circ$
- Plastic roller
- Continuous adjustment of lever position 360°
- Splined shaft and lever available with 10° tothing
- Available with metal roller
- Available with rubber roller, ordering suffix -1

Pull lever 2Z



- Continuous adjustment of lever position 360°
- Splined shaft and lever available with 10° tothing

Legend

α : Actuating angle from right of switch axis
 β : Actuating angle from left of switch axis