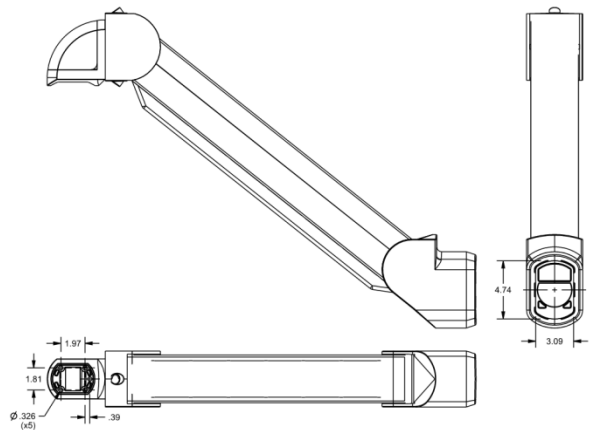
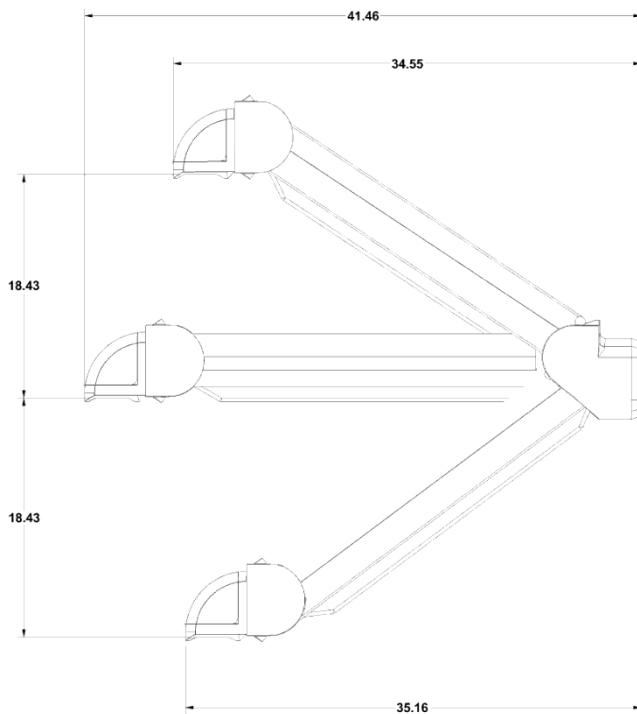


# Counter Balance

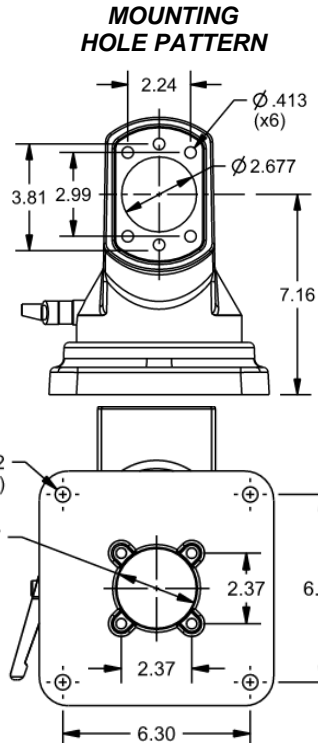


PART NUMBER	LOAD CAPACITY LBS
SCE-SAHCB44T61	44-61
SCE-SAHCB61T79	61-79
SCE-SAHCB79T97	79-97
SCE-SAHCB97T114	97-114
SCE-SAHCB121T132	121-132

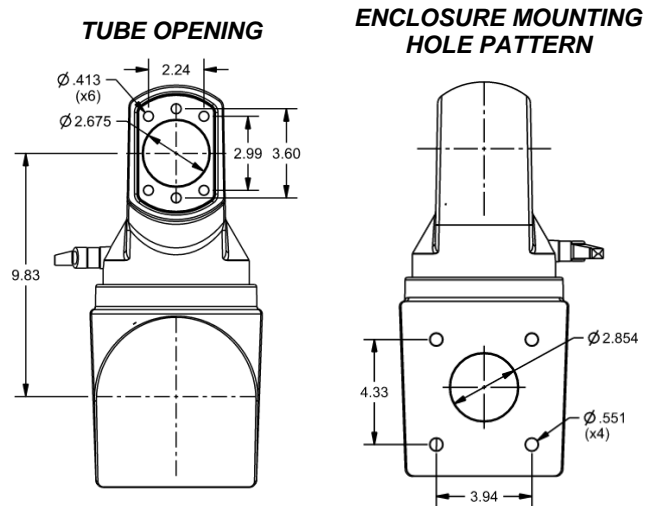


# Counter Balance

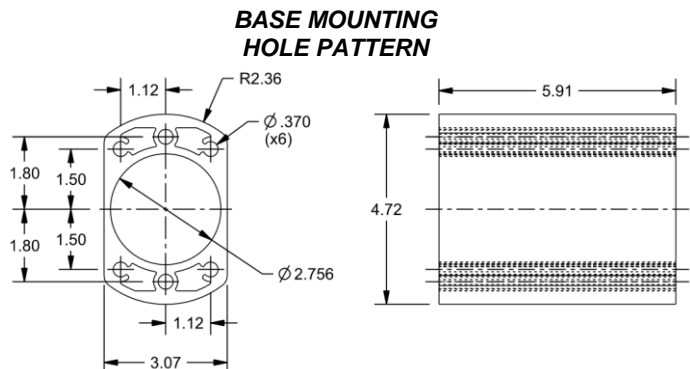
**SCE-SAH310TMJ:**



**SCE-SAH230WH:**



**SCE-SAH06TC:**



# Counter Balance



Push button locking mechanism used to adjust the arm height that suits the operator.

Rotating couplings have adjustable tension brakes to control movement while in use.

