

Stainless Steel 30.5 mm Pushbutton Enclosures

Application -

Designed to house standard pushbuttons, switches and pilot lights in wet and hosed down areas and in corrosive atmospheres. For installation information, consult our Installation Manual at www.saginawcontrol.com.

Construction -

- 0.063" stainless steel Type 304.
- Seams continuously welded and ground smooth.
- Captivated cover screws thread into sealed wells.
- 4-way pushbutton holes accept all brands of oil-tight pushbuttons, switches and pilot lights. Hole diameter 1.20" (30.5 mm).
- Immediate removal of cover is permitted.
- Oil-resistant door gasket.

Options -

Can be special ordered in Type 316/316L stainless steel.

Finish -

#4 brushed finish on all exterior surfaces.

IS5 - Industry Standards -

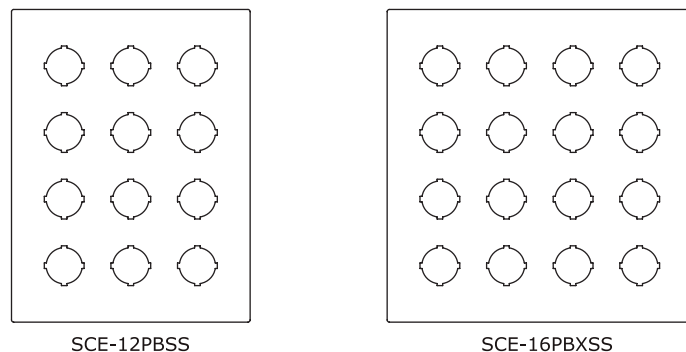
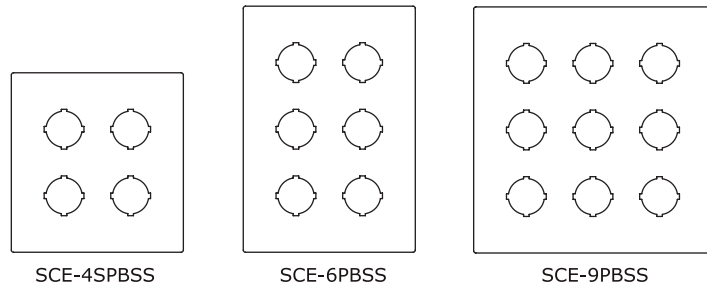
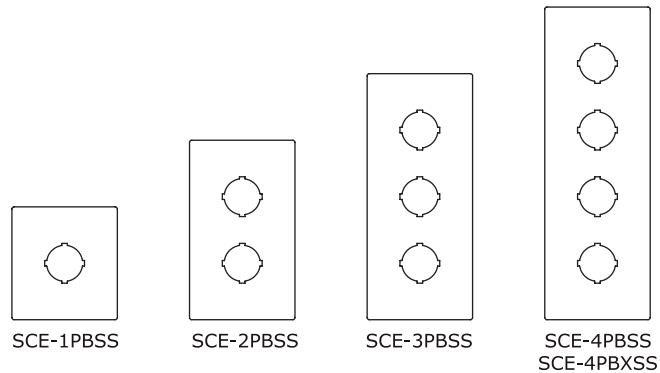
- NEMA Type 4, 4X, 12 & Type 13
- UL Listed Type 4, 4X & 12
- CSA Type 4, 4X & 12
- IEC 60529 IP66



STAINLESS STEEL 30.5 mm PUSHBUTTON ENCLOSURES

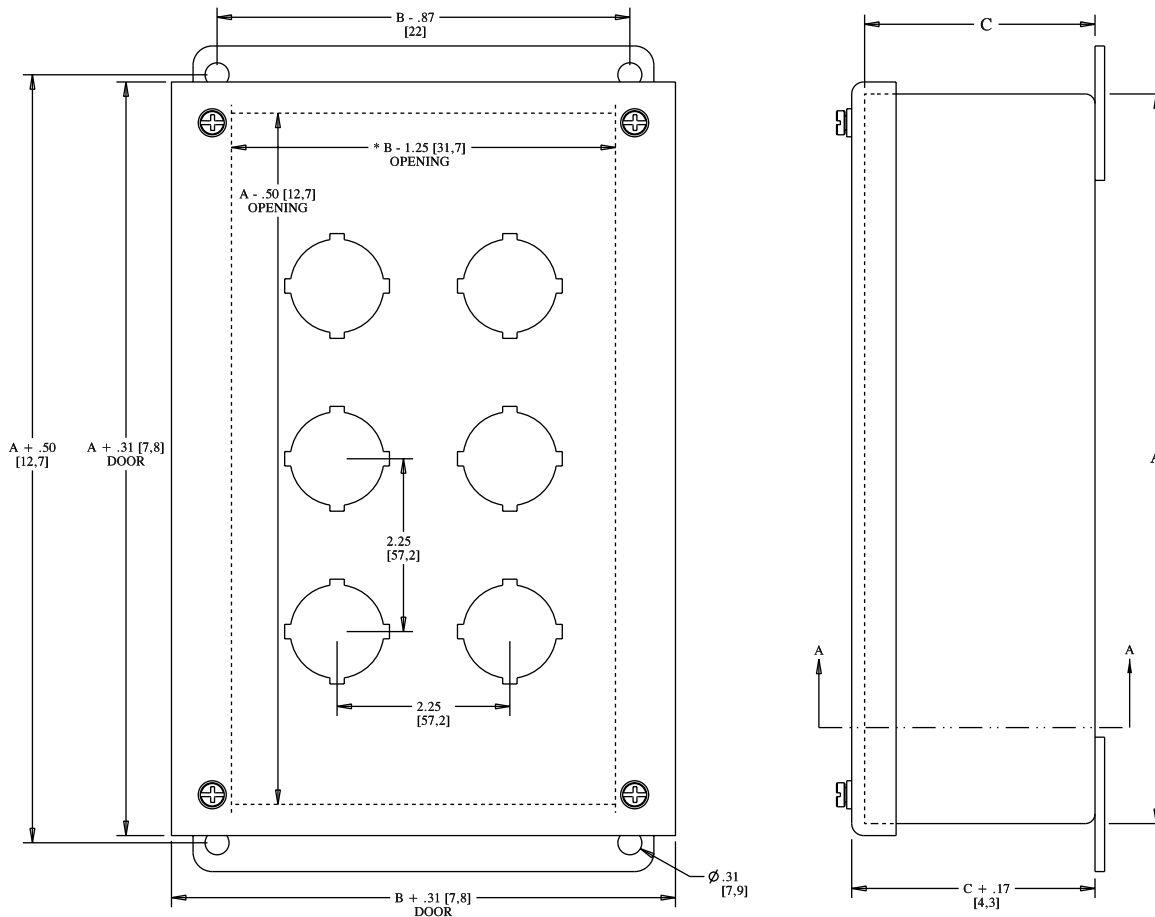
ENCLOSURE PRODUCT CODE S1					
Catalog No.	Height (A)	Width (B)	Depth (C)	Industry Standard	List Price
SCE-1PBSS	3.50	3.25	2.75	IS5	134.38
SCE-1PBXSS	4.00	4.00	4.75	IS5	179.00
SCE-2PBSS	5.75	3.25	2.75	IS5	168.31
SCE-2PBXSS	6.00	4.00	4.75	IS5	224.05
SCE-3PBSS	8.00	3.25	2.75	IS5	183.25
SCE-4PBSS	10.25	3.25	2.75	IS5	207.67
SCE-4PBXSS	10.00	4.00	4.75	IS5	247.05
SCE-4SPBSS	7.25	6.25	3.00	IS5	228.03
SCE-6PBSS	9.50	6.25	3.00	IS5	272.84
SCE-9PBSS	9.50	8.50	3.00	IS5	308.12
SCE-12PBSS	11.75	8.50	3.00	IS5	351.56
SCE-16PBXSS	11.75	10.75	4.75	IS5	442.51

Available within 10 working days if not in stock

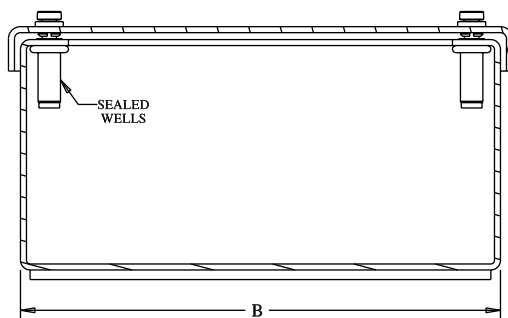


STAINLESS STEEL 30.5 mm PUSHBUTTON ENCLOSURES

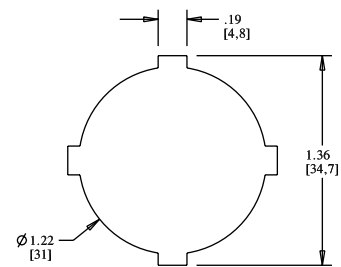
TECHNICAL DATA



NOTE:
* B - .50 [12.7] ONE COLUMN OF PUSHBUTTONS



SECTION A-A



STANDARD 4-WAY

Stainless Steel 22.5 mm Pushbutton Enclosures

Application -

Designed to house standard pushbuttons, switches and pilot lights in wet and hosed down areas and in corrosive atmospheres. For installation information, consult our Installation Manual at www.saginawcontrol.com.

Construction -

- 0.063" stainless steel Type 304.
- Seams continuously welded and ground smooth.
- Captivated cover screws thread into sealed wells.
- 4-way pushbutton holes accept all brands of oil-tight pushbuttons, switches and pilot lights. Hole diameter 0.87" (22.5 mm).
- Immediate removal of cover is permitted.
- Oil-resistant door gasket.

Options -

Can be special ordered in Type 316/316L stainless steel.

Finish -

#4 brushed finish on all exterior surfaces.

IS5 - Industry Standards -

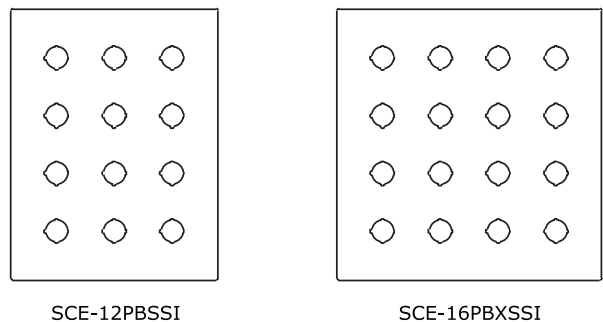
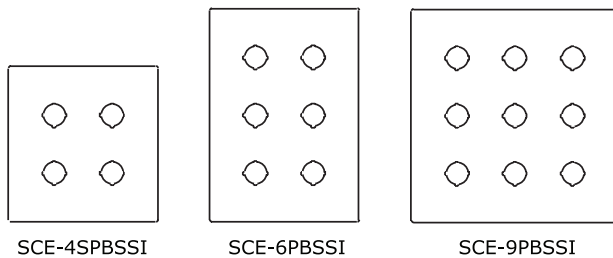
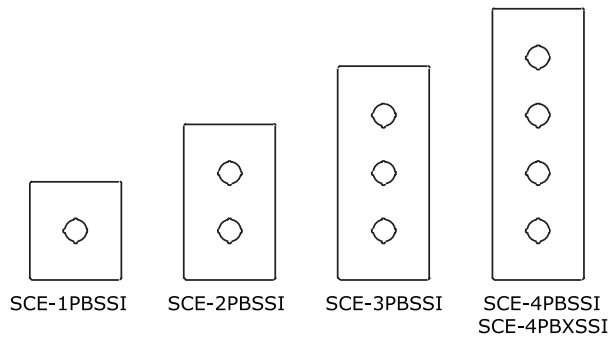
NEMA Type 4, 4X, 12 & Type 13
 UL Listed Type 4, 4X & 12
 CSA Type 4, 4X & 12
 IEC 60529 IP66



STAINLESS STEEL 22.5 mm PUSHBUTTON ENCLOSURES

ENCLOSURE PRODUCT CODE S1					
Catalog No.	Height (A)	Width (B)	Depth (C)	Industry Standard	List Price
SCE-1PBSSI	3.50	3.25	2.75	IS5	134.38
SCE-1PBXSSI	4.00	4.00	4.75	IS5	179.00
SCE-2PBSSI	5.75	3.25	2.75	IS5	168.31
SCE-3PBSSI	8.00	3.25	2.75	IS5	183.25
SCE-4PBSSI	10.25	3.25	2.75	IS5	207.67
SCE-4PBXSSI	10.00	4.00	4.75	IS5	247.05
SCE-4SPBSSI	7.25	6.25	3.00	IS5	228.03
SCE-6PBSSI	9.50	6.25	3.00	IS5	272.84
SCE-9PBSSI	9.50	8.50	3.00	IS5	308.12
SCE-12PBSSI	11.75	8.50	3.00	IS5	351.56
SCE-16PBXSSI	11.75	10.75	4.75	IS5	442.51

Available within 10 working days if not in stock

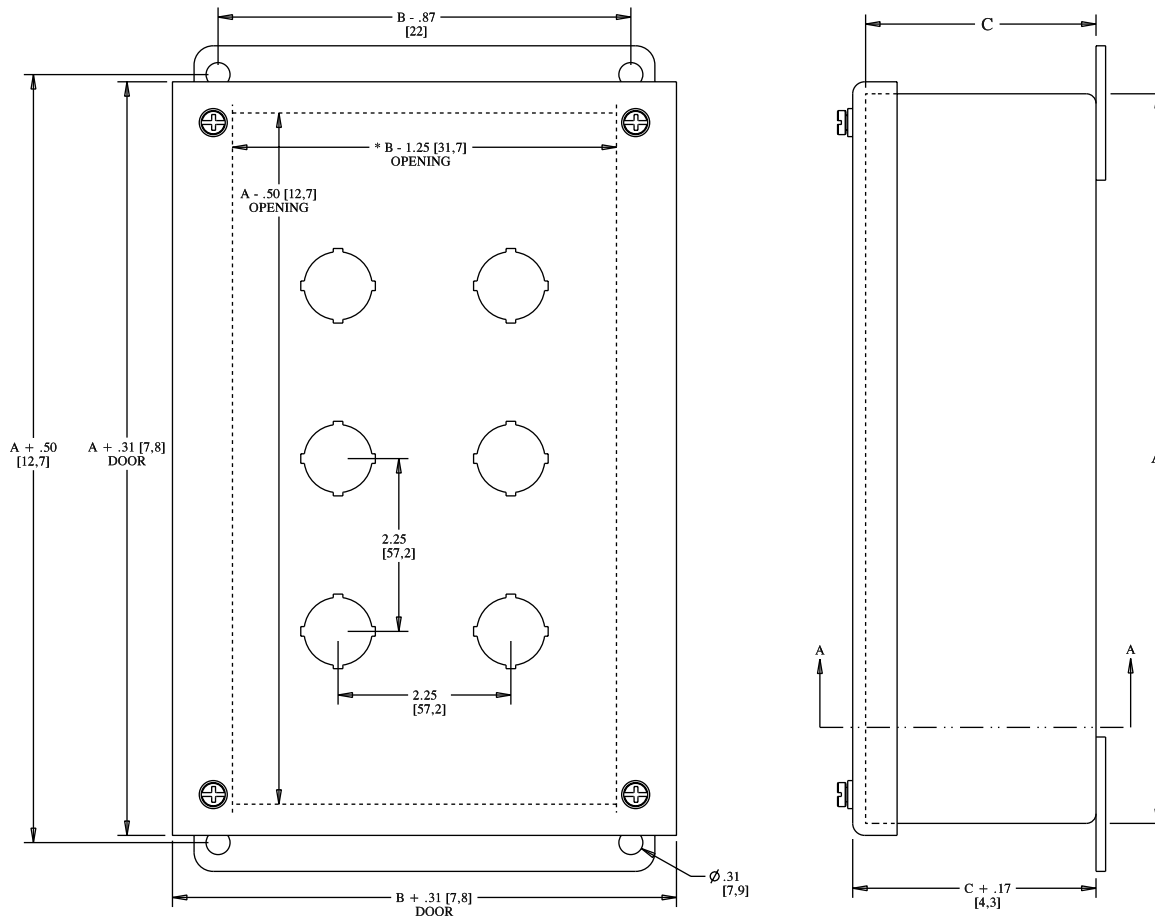


Phone (989) 799-6871
 Fax (989) 799-4524

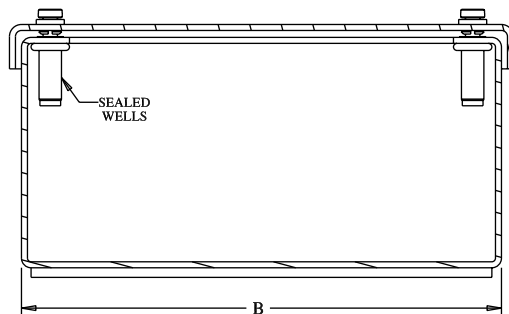


STAINLESS STEEL 22.5 mm PUSHBUTTON ENCLOSURES

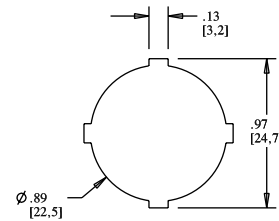
TECHNICAL DATA



NOTE:
 * B - .50 [12.7] ONE COLUMN OF PUSHBUTTONS



SECTION A-A



STANDARD 4-WAY