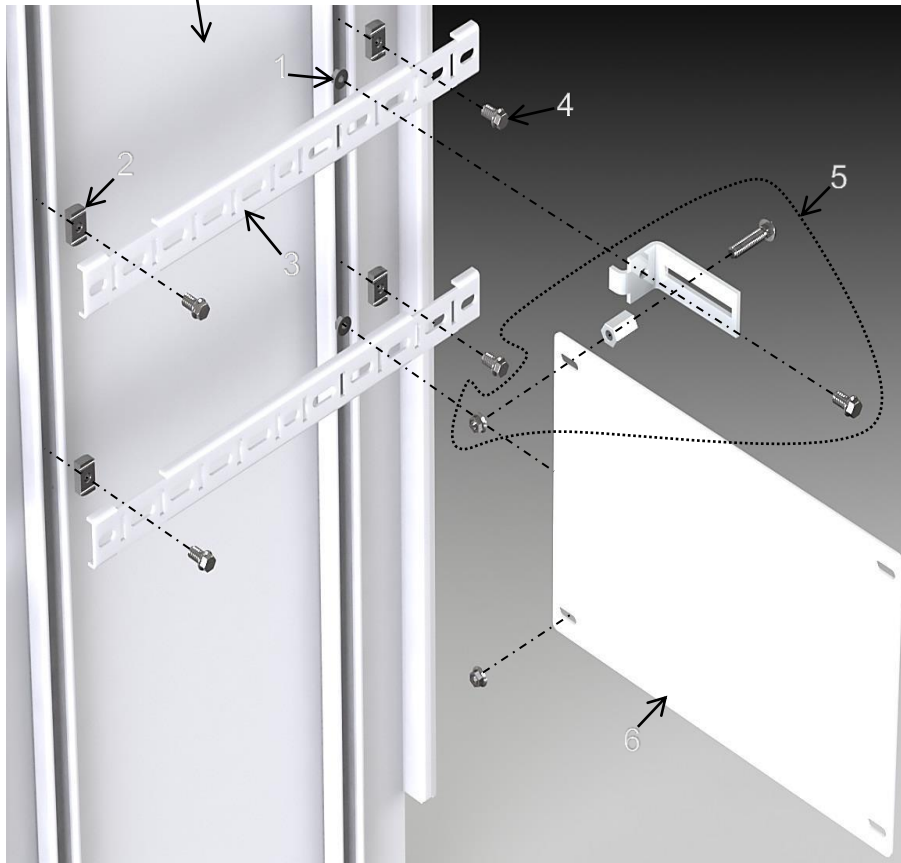


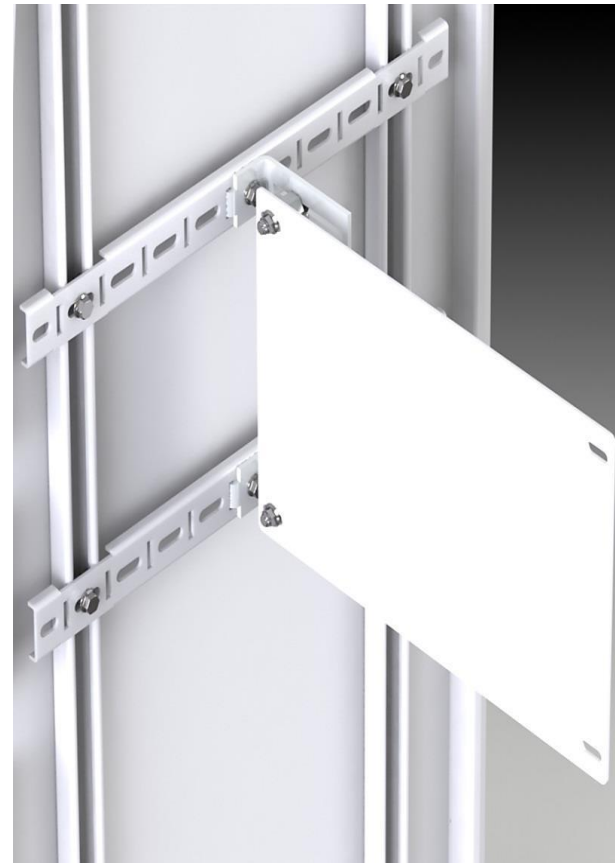
# PANEL SUPPORT FOR SUBPANELS

SECTION VIEW:  
INSIDE L.H. WALL OF  
WORKSTATION ENCLOSURE

SCE-PSK24  
SCE-PSK32



EXPLODED VIEW



ASSEMBLED VIEW

| ITEM # | PART NAME                 | QTY.         |
|--------|---------------------------|--------------|
| 1      | 3/8-16 FLANGE NUT         | 4            |
| 2      | 3/8-16 CHANNEL NUTS       | 8            |
| 3      | PANEL SUPPORTS            | 4            |
| 4      | 3/8-16 X 1 HEX HEAD SCREW | 8            |
| 5      | INDIVIDUAL PANEL SUPPORTS | NOT INCLUDED |
| 6      | SCE-60P24WS SUBPLATE      | NOT INCLUDED |

## INSTALLATION INSTRUCTIONS

1. INSTALL (4) CHANNEL NUTS (ITEM 2) INTO CHANNELS PROVIDED ON THE RIGHT AND LEFT SIDE OF ENCLOSURE.
2. ATTACH THE PANEL SUPPORTS (ITEM 3) TO THE CHANNELS AS SHOWN, USING SCREWS (ITEM 4) TO SECURE THE PANEL SUPPORTS TO THE ENCLOSURE
3. ADJUST THE PANEL SUPPORTS TO THE DESIRED HEIGHT AND TIGHTEN SCREWS SECURELY.
4. INSTALL OPTIONAL SUBPLATE (ITEM 6) AND INDIVIDUAL PANEL SUPPORTS (ITEM 5) AS SHOWN.