

# 304 STAINLESS STEEL ENVIROLINE® SERIES SINGLE-DOOR ENCLOSURES FOR FLANGE-MOUNTED DISCONNECTS

## Application

Designed to house most standard type disconnects. For outdoor application a drip shield is recommended. For installation information, consult our Installation Manual at [www.saginawcontrol.com](http://www.saginawcontrol.com).

## Construction

- 0.075" stainless steel Type 304.
- Seams continuously welded and ground smooth.
- Flange trough collar around all sides of door opening.
- Pour in place oil and water resistant gasket.
- Collar studs provided for mounting optional sub-panels.
- Holes provided in body for mounting disconnect operating handle and operating mechanism.
- Stainless steel concealed hinges.
- Doors are interchangeable and easily removed by pulling hinge pin.
- 3-point latching mechanism.
- Latches are opened or closed with screwdriver (optional tamper-resistant inserts available).
- Mounting holes in back of enclosure.
- Mounting hardware, sealing washers and hole plugs included.
- Black quarter turn latches as required.
- Removable print pocket.
- Ground studs on door and body.
- Black zinc die cast coinproof/padlocking handle.

Disconnect switch (or circuit breaker) and operating mechanism are not furnished with this enclosure.

## Finish

#4 brushed finish on all exterior surfaces. Optional sub-panels powder coated white.

## IS6 Industry Standards

NEMA Type 3R, 4, 4X, 12 & Type 13  
 UL Listed Type 3R, 4, 4X & 12  
 CSA Type 3R, 4, 4X & 12  
 IEC 60529 IP66

\*\*\*To maintain Type 3R listing, Drainage is required. Install equally rated drainage device or drill a 1/8 to 1/4 inch hole in the bottom center of the enclosure, approximately 1 inch from the right, and 1 inch from the left for drainage, use listed rain-tight or wet location hubs. Drip shield over the door is recommended for all outdoor applications.

Enclosure Product Code S5

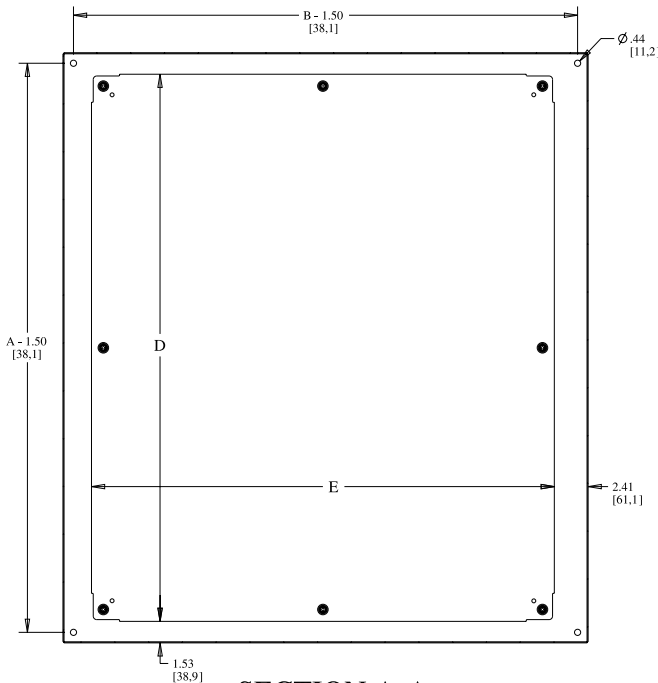
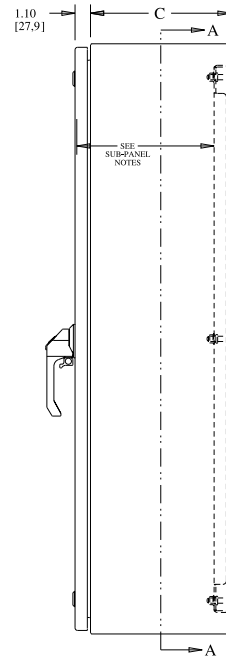
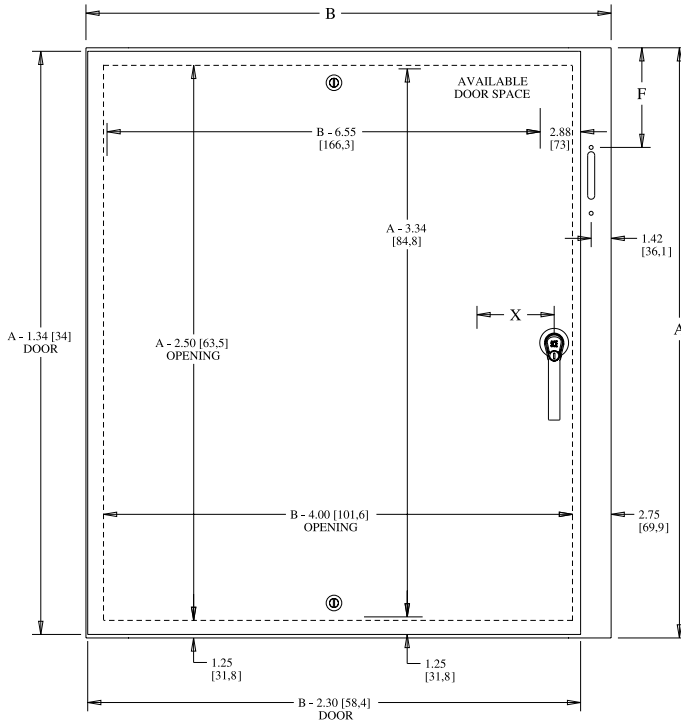
Sub-Panel (P5)

Catalog No.	Height (A)	Width (B)	Depth (C)	Industry Standard	Catalog No.	Panel Height (D)	Panel Width (E)
<a href="#">SCE-20XEL2108SSLP</a>	20.00	21.38	8.00	IS6	<a href="#">SCE-20P20</a>	17.00	17.00
<a href="#">SCE-24XEL2108SSLP</a>	24.00	21.38	8.00	IS6	<a href="#">SCE-24P20</a>	21.00	17.00
<a href="#">SCE-24XEL2508SSLP</a>	24.00	25.38	8.00	IS6	<a href="#">SCE-24P24</a>	21.00	21.00
<a href="#">SCE-24XEL2510SSLP</a>	24.00	25.38	10.00	IS6	<a href="#">SCE-24P24</a>	21.00	21.00
<a href="#">SCE-30XEL2508SSLP</a>	30.00	25.38	8.00	IS6	<a href="#">SCE-30P24</a>	27.00	21.00
<a href="#">SCE-30XEL2510SSLP</a>	30.00	25.38	10.00	IS6	<a href="#">SCE-30P24</a>	27.00	21.00
<a href="#">SCE-36XEL2508SSLP</a>	36.00	25.38	8.00	IS6	<a href="#">SCE-36P24</a>	33.00	21.00
<a href="#">SCE-36XEL3110SSLP</a>	36.00	31.38	10.00	IS6	<a href="#">SCE-36P30</a>	33.00	27.00
<a href="#">SCE-36XEL3112SSLP</a>	36.00	31.38	12.00	IS6	<a href="#">SCE-36P30</a>	33.00	27.00
<a href="#">SCE-42XEL3110SSLP</a>	42.00	31.38	10.00	IS6	<a href="#">SCE-42P30</a>	39.00	27.00
<a href="#">SCE-42XEL3112SSLP</a>	42.00	31.38	12.00	IS6	<a href="#">SCE-42P30</a>	39.00	27.00
<a href="#">SCE-42XEL3712SSLP</a>	42.00	37.38	12.00	IS6	<a href="#">SCE-42P36</a>	39.00	33.00
<a href="#">SCE-42XEL3716SSLP</a>	42.00	37.38	16.00	IS6	<a href="#">SCE-42P36</a>	39.00	33.00
<a href="#">SCE-48XEL3710SSLP</a>	48.00	37.38	10.00	IS6	<a href="#">SCE-48P36</a>	45.00	33.00
<a href="#">SCE-48XEL3712SSLP</a>	48.00	37.38	12.00	IS6	<a href="#">SCE-48P36</a>	45.00	33.00
<a href="#">SCE-48XEL3716SSLP</a>	48.00	37.38	16.00	IS6	<a href="#">SCE-48P36</a>	45.00	33.00
<a href="#">SCE-60XEL3712SSLP</a>	60.00	37.38	12.00	IS6	<a href="#">SCE-60P36</a>	57.00	33.00
<a href="#">SCE-60XEL3716SSLP</a>	60.00	37.38	16.00	IS6	<a href="#">SCE-60P36</a>	57.00	33.00



# 304 STAINLESS STEEL ENVIROLINE® SERIES SINGLE-DOOR ENCLOSURES FOR FLANGE-MOUNTED DISCONNECTS

## TECHNICAL DATA



**SUB-PANEL NOTES:**

Dimensions are from the inside of the door.  
C + .32 [8,1] for flat sub-panels  
C - .18 [4,5] for bent sub-panels

**DISCONNECT NOTES:**

F = 4.75 [121] when C = 8.00 [203]  
F = 7.09 [180] when C = 10.00 [254]  
F = 11.62 [295] when C = 12.00 [304]  
F = 11.62 [295] when C = 16.00 [406]  
F = 18.38 [467] for SCE-60XEL3712LP4

**LATCH NOTES:**

Omit center latch top and bottom of door when door width is  $\leq 30.00$ " [762]

**HANDLE NOTES:**

On enclosures  $\leq 42.00$  [1067]  
X = 5.50 [140] and use 5.00 [127] padlocking handle with coin-proof.  
On enclosures  $> 42.00$  [1067]  
X = 6.75 [171] and use 7.00 [178] padlocking handle with coin-proof.

Enclosures with a height dimension  $< 40.00$  [1016] have a 2-point door closing mechanism.

Enclosures with a height dimension of  $\geq 40.00$  [1016] have a 3-point door latching mechanism.

**CONSTRUCTION NOTES:**

Door will be 0.125 [3,1] thick material when enclosure height is  $\geq 42.00$  and door width is  $> 24.00$