

ALL-ROUND FLASHING LIGHTS 14 J

PMF 2020 | PMF 2015



Extremely bright due to 14 joules total flash energy of the impulse group and light bundling with fensel lens, low power consumption (energy-saving).

- Choice of three different flash combinations with fast flash rate (PMF 2015: two flash combinations).
- Extremely reliable and durable due to the use of state-of-the-art electronic components – no replacement of mechanical or electrical wearing parts necessary.
- Large variety of mounting methods – direct or using a bracket.
- Exchangeable due to broadly used drilling template.
- Extremely reliable and durable: fit it and forget it!
- Especially suitable for cranes and floor conveyors.
- Highest mechanical stability, shock tested as per DIN EN 60069-2-29 (PMF 2020, GL approval is standard).
- Flash tube additionally secured by a steel clamp.




protection system







operating temperature



PRODUCT	PMF 2020				PMF 2015				
DATA									
Rated voltage	230 V	110 V	24 V	12 V	230 V	110 V	24 V	12 V	
	AC 50 60 Hz		DC		AC 50 60 Hz		DC		
Operating range	195–253 V	90–135 V	18–30 V	11–15 V	195–253 V	90–135 V	18–30 V	11–15 V	
Nominal current consumption	4 flashes	0.08 A	0.14 A	0.75 A	1.1 A	0.07 A	0.14 A	0.6 A	1.1 A
	2 flashes	0.09 A	0.15 A	0.8 A	1.15 A	0.08 A	0.16 A	0.65 A	1.2 A
	single flash	0.14 A	0.23 A	1 A	1.35 A				
Operating mode	quad, double, single flash				quad, double flash				
Flash energy of the main flash	7 J (12 V: 5 J)				7 J				
Light intensity (DIN 5037) ¹	200 cd				250 cd				
Max. viewing distance					366 m				
Beam angle	vertical approx. 16 °, horizontal 360 °								
Operating temperature	–40 °C ... +55 °C								
Storage temperature	–40 °C ... +70 °C								
Relative humidity	90 %								
Protection system (EN 60529)	IP 55 (vertical mounting)								
Service life of the light source	light emission still 70 % after 8,000,000 flashes								
Material	lens	 polycarbonate (PC), fresnel characteristic							
	housing	bracket mounting: polycarbonate (PC) / direct mounting: acrylonitrile butadiene styrene (ABS)							
Cable entry	bracket mounting	M20x 1.5			M20x 1.5 for cables 6.5–13.5 mm				
Connecting terminal	single wire 0.5–2.5 mm ² , fine wire 0.5–1.5 mm ² , with cable end sleeves DIN 46228/1								
Weight	bracket mounting	1.1 kg	1.2 kg		1.1 kg	1.2 kg			
	direct mounting	0.6 kg	0.7 kg		0.6 kg	0.7 kg			

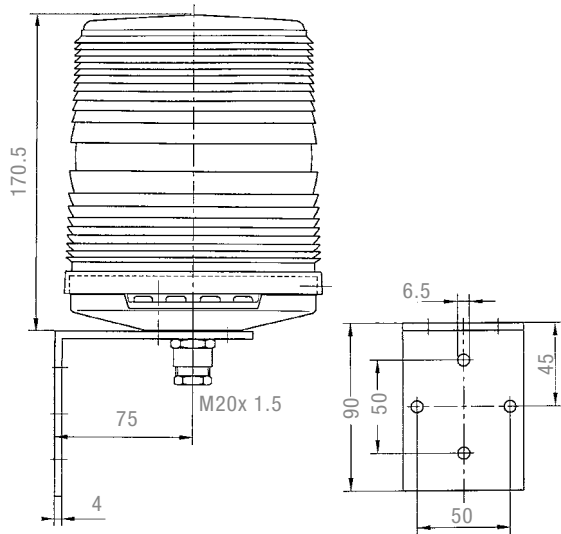
¹ with a clear lens

ARTICLE NO.	PMF 2020 direct mounting GL		PMF 2020 bracket mounting GL	
LENS COLOUR	230 V AC	24 V DC	230 V AC	24 V DC
	21009104001	21009804001	21009104011	21009804011
	21009105001	21009805001	21009105011	21009805011
ARTICLE NO.	PMF 2015 direct mounting		PMF 2015 bracket mounting	
LENS COLOUR	230 V AC	24 V DC	230 V AC	24 V DC
	21007104000	21007804000	21007104010	21007804010
	21007105000	21007805000	21007105010	21007805010

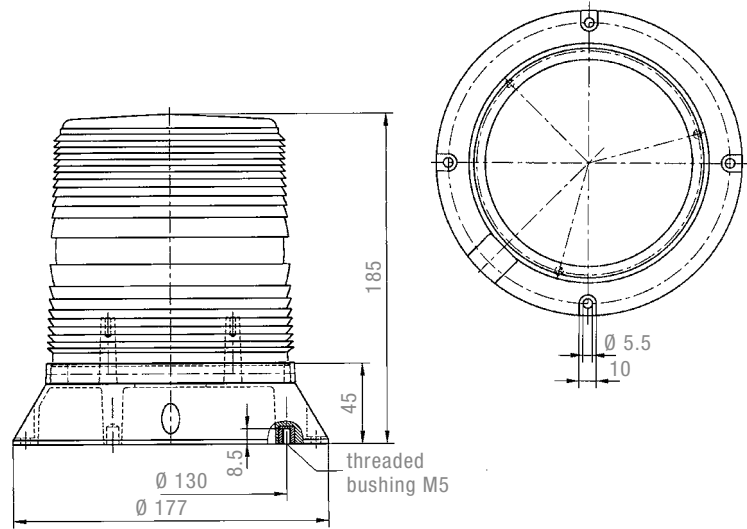
Article numbers for other colours and voltages on request.

DIMENSIONS

bracket mounting

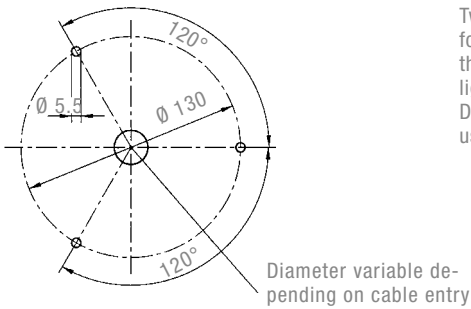


direct mounting

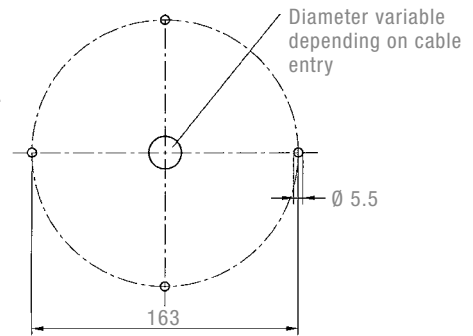


Drilling template 1 for M5 threaded bushing

Drilling template 2



Two different drilling templates are available for fixing the light (direct mounting). M5x 8 threaded bushes are set into the base of the light for fixing according to drilling template 1. Drilling template 2 allows the light to be fixed using 4 through bolts or similar from above.



FLASH FREQUENCIES

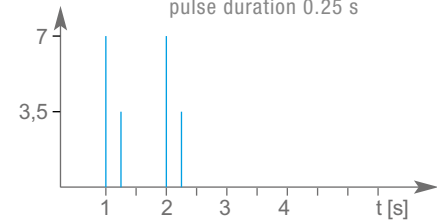
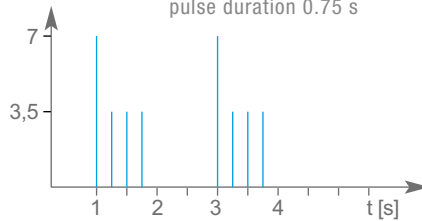
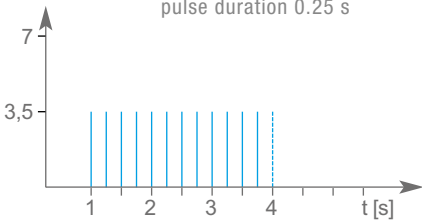
PMF 2020

PMF 2020 / PMF 1515

Energy single flash [J] single flash
240 flashes/min
pulse duration 0.25 s

Energy single flash [J] 4 flashes
120 flashes/min
pulse duration 0.75 s

Energy single flash [J] 2 flashes
120 flashes/min
pulse duration 0.25 s



OPTIONS/ACCESSORIES



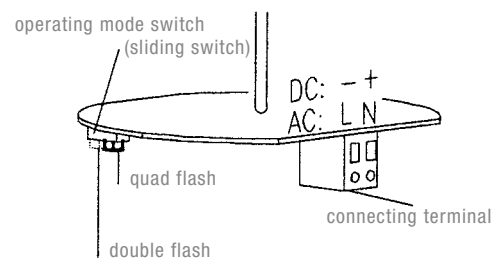
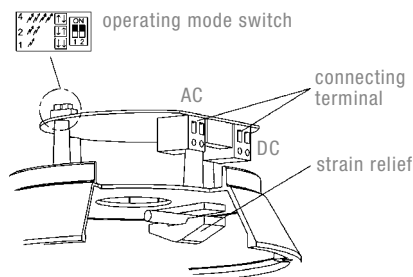
PMF 2020



CONNECTION DIAGRAM

PMF 2020

PMF 1515



The operating modes quad flash (factory setting), double flash and single flash can be set via the DIP switch, which is accessible from the side.

The operating modes quad flash (factory setting) and double flash can be set via the DIP switch, which is accessible from the side.