

# DTS 3141-81



[www.pfannenbergusa.com](http://www.pfannenbergusa.com)

**To Order Spare Parts Call us at:**

Ph: 1-866-689-0085 or Email: [orders@pfannenbergusa.com](mailto:orders@pfannenbergusa.com)

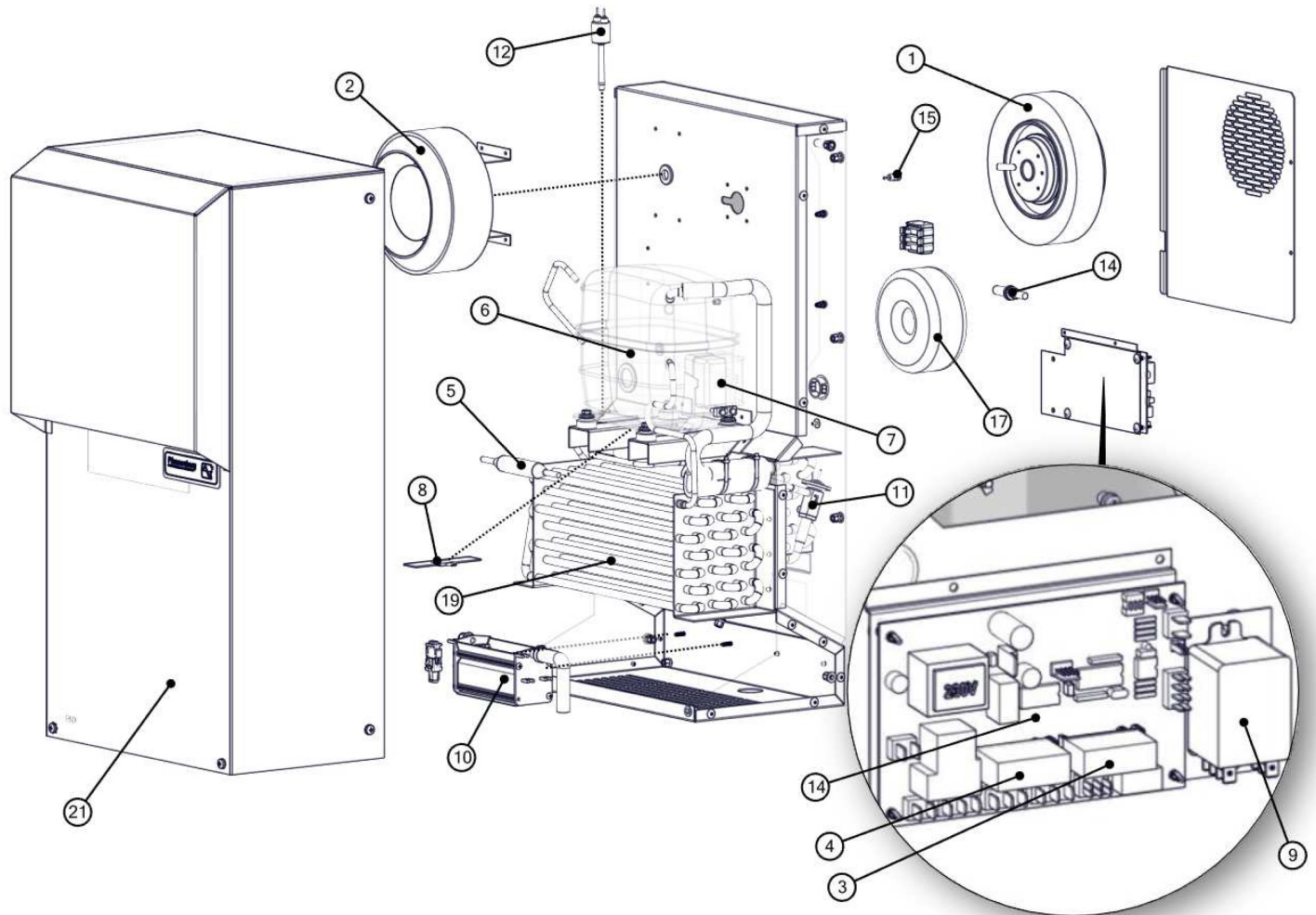
**SERVICE, REPAIRS, SPARE PARTS, RMA'S**

**Service & Support Contact us at:** Ph: 1-800-441-8791 | Fax: 716-681-1521 | Email: [service@pfannenbergusa.com](mailto:service@pfannenbergusa.com)

# DTS 3141-81

SPARE PARTS

**Pfannenberg**  
ELECTRO-TECHNOLOGY FOR INDUSTRY



## Items Not Shown

- 13 Pressure Head Control DTS 3161/81
- 16 Fuses (not required)
- 18 Phase Monitoring (not required)
- 20 Access Pack

[www.pfannenbergusa.com](http://www.pfannenbergusa.com)

**To Order Spare Parts Call us at:**  
Ph: 1-866-689-0085 or Email: [orders@pfannenbergusa.com](mailto:orders@pfannenbergusa.com)

**SERVICE, REPAIRS, SPARE PARTS, RMA'S**

**Service & Support Contact us at:** Ph: 1-800-441-8791 | Fax: 716-681-1521 | Email: [service@pfannenbergusa.com](mailto:service@pfannenbergusa.com)

# DTS 3141-81

## COMPLETE PARTS LIST



### DTS 31X1 (3141, 3161, 3181)

Position	Description	DTS 31X1 (3141, 3161, 3181) 115V	DTS 31X1 (3141, 3161, 3181) 230V	DTS 31X1 (3141, 3161, 3181) 400V / 460V
1	Evap Fan Assembly	18811100010	18811100011	18811100011
2	Condensor Fan Assembly	18811100007	18811100009	18811100009
3	C12 Capacitor (evap fan)	18814000001	18814000004	18814000004
4	C11 Capacitor (cond fan)	18814000001	18814000004	18814000004
5	Filter/Dryer	18885000000	18885000000	18885000000
6	Compressor	18881200010	18811200009	18811200009
7	Compressor Start Components	Call for Availability	Call for Availability	Call for Availability
8	Compressor Sump Heater	Call for Availability	Call for Availability	Call for Availability
9	CRM 40 (compressor relay)	18883000013	18883000014	18883000014
10	Condensation Evaporator	18883000016	18883000016	18883000016
11	TXV	18815000011	18815000011	18815000011
12	High Pressure Switch	18815000023	18815000023	18815000023
13	Low Pressure Switch	18885000008	18885000008	18885000008
14	PCB (control board)	18810000009	18810000011	18810000011
15	Status LED	18883000028	18883000028	18883000028
16	FU2/FU3 (fuses)	N/A	N/A	N/A
17	Transformer	N/A	N/A	18883000005
18	Phase Monitor Relay	N/A	N/A	N/A
19	Condenser Coil	18881400003	18881400003	18881400003
20	Accessory Pack	18882000004	18882000004	18882000004
21	Cover Assembly	18880200012	18880200012	18880200012
22	Mechanical Thermostat	N/A	N/A	N/A
23	Inverter	N/A	N/A	N/A
24	Metal Mesh Filter	18881500009 (new) / 18881500000 (old)	18881500009 (new) / 18881500000 (old)	18881500009 (new) / 18881500000 (old)
25	Temp Sensor	18810000024	18810000024	18810000024
26	Wago connection kit	Call for Availability	Call for Availability	Call for Availability

[www.pfannenbergusa.com](http://www.pfannenbergusa.com)

**To Order Spare Parts Call us at:**

Ph: 1-866-689-0085 or Email: [orders@pfannenbergusa.com](mailto:orders@pfannenbergusa.com)

**SERVICE, REPAIRS, SPARE PARTS, RMA'S**

**Service & Support Contact us at:** Ph: 1-800-441-8791 | Fax: 716-681-1521 | Email: [service@pfannenbergusa.com](mailto:service@pfannenbergusa.com)