

# DTS 3041-81



[www.pfannenbergusa.com](http://www.pfannenbergusa.com)

**To Order Spare Parts Call us at:**

Ph: 1-866-689-0085 or Email: [orders@pfannenbergusa.com](mailto:orders@pfannenbergusa.com)

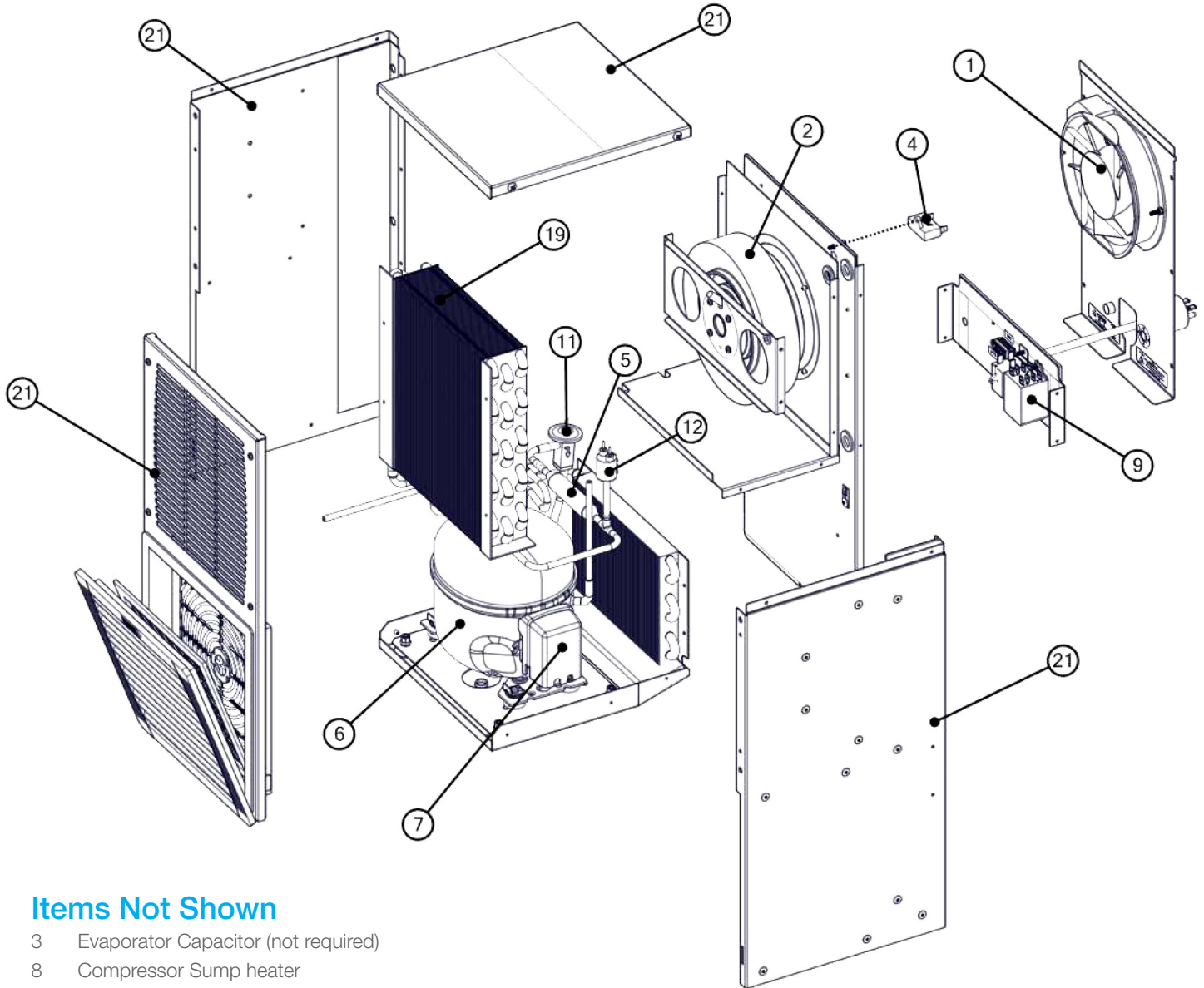
**SERVICE, REPAIRS, SPARE PARTS, RMA'S**

**Service & Support Contact us at:** Ph: 1-800-441-8791 | Fax: 716-681-1521 | Email: [service@pfannenbergusa.com](mailto:service@pfannenbergusa.com)

# DTS 3041-61

SPARE PARTS

**Pfannenberg**  
ELECTRO-TECHNOLOGY FOR INDUSTRY



## Items Not Shown

- 3 Evaporator Capacitor (not required)
- 8 Compressor Sump heater
- 10 Condensate Evaporator Pan (not required)
- 13 Pressure Head Control DTS 3061 Low Ambient only
- 14 PCB Board w/Sensor (not required)
- 15 Operation Lamp (not required)
- 16 Fuses (not required)
- 17 Transformer (not required)
- 18 Phase Monitor (not required)
- 20 Access Pack

[www.pfannenbergusa.com](http://www.pfannenbergusa.com)

**To Order Spare Parts Call us at:**

Ph: 1-866-689-0085 or Email: [orders@pfannenbergusa.com](mailto:orders@pfannenbergusa.com)

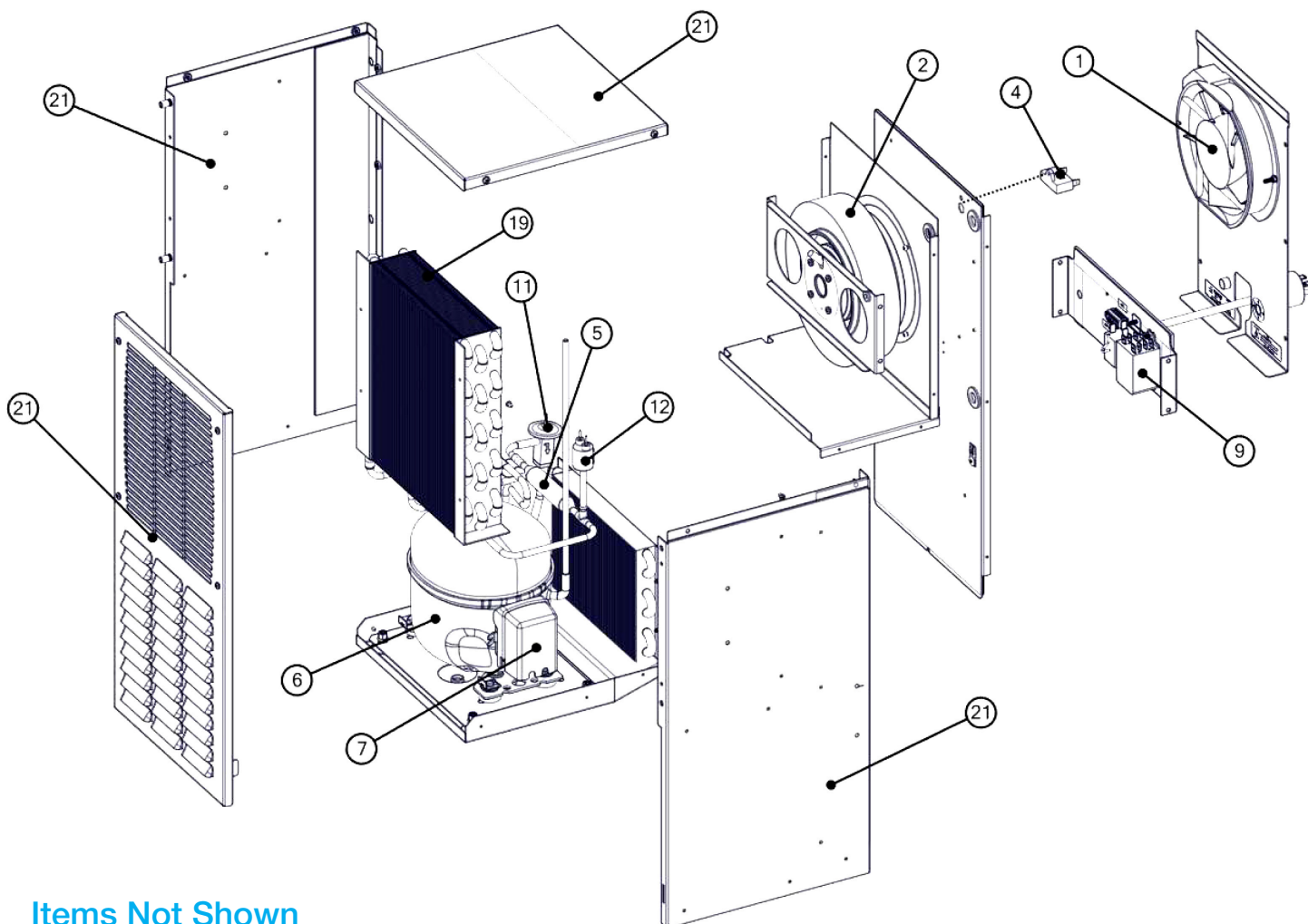
**SERVICE, REPAIRS, SPARE PARTS, RMA'S**

**Service & Support Contact us at:** Ph: 1-800-441-8791 | Fax: 716-681-1521 | Email: [service@pfannenbergusa.com](mailto:service@pfannenbergusa.com)

# DTS 3081

SPARE PARTS

**Pfannenberg**  
ELECTRO-TECHNOLOGY FOR INDUSTRY



## Items Not Shown

- 3 Evaporator Capacitor (not required)
- 8 Compressor Sump heater
- 10 Condensate Evaporator Pan (not required)
- 13 Pressure Head Control DTS 3061 Low Ambient only
- 14 PCB Board w/Sensor (not required)
- 15 Operation Lamp (not required)
- 16 Fuses (not required)
- 17 Transformer (not required)
- 18 Phase Monitor (not required)
- 20 Access Pack

[www.pfannenbergusa.com](http://www.pfannenbergusa.com)

**To Order Spare Parts Call us at:**

Ph: 1-866-689-0085 or Email: [orders@pfannenbergusa.com](mailto:orders@pfannenbergusa.com)

**SERVICE, REPAIRS, SPARE PARTS, RMA'S**

**Service & Support Contact us at:** Ph: 1-800-441-8791 | Fax: 716-681-1521 | Email: [service@pfannenbergusa.com](mailto:service@pfannenbergusa.com)

# DTS 3041-81

## COMPLETE PARTS LIST

**Pfannenber**  
ELECTRO-TECHNOLOGY FOR INDUSTRY



### DTS 30X1 (3041, 3061, 3081)

Position	Description	DTS 30X1 (3041, 3061, 3081) 115V	DTS 30X1 (3041, 3061, 3081) 230V
1	Evap Fan Assembly	18811000003	18811000001
2	Condensor Fan Assembly	18811100010	18811100011
3	C12 Capacitor (evap fan)	N/A	N/A
4	C11 Capacitor (cond fan)	18884000007	18884000004
5	Filter/Dryer	18885000000	18885000000
6	Compressor	18881200018	18811200015
7	Compressor Start Components	Call for Availability	Call for Availability
8	Compressor Sump Heater	Call for Availability	Call for Availability
9	CRM 40 (compressor relay)	18883000013	18883000014
10	Condensation Evaporator	N/A	N/A
11	TXV	18815000011	18815000011
12	High Pressure Switch	18815000023	18815000023
13	Low Pressure Switch	18885000008	18885000008
14	PCB (control board)	N/A	N/A
15	Status LED	N/A	N/A
16	FU2/FU3 (fuses)	N/A	N/A
17	Transformer	N/A	N/A
18	Phase Monitor Relay	N/A	N/A
19	Condenser Coil	18881400002	18881400002
20	Accessory Pack	18882000003	18882000003
21	Cover Assembly	18880200011	18880200011
22	Mechanical Thermostat	18883000001	18883000001
23	Inverter	N/A	N/A
24	Metal Mesh Filter	18881500005	18881500005
25	Temp Sensor	N/A	N/A
26	Wago connection kit	Call for Availability	Call for Availability

[www.pfannenbergsusa.com](http://www.pfannenbergsusa.com)

**To Order Spare Parts Call us at:**

Ph: 1-866-689-0085 or Email: [orders@pfannenbergsusa.com](mailto:orders@pfannenbergsusa.com)

**SERVICE, REPAIRS, SPARE PARTS, RMA'S**

**Service & Support Contact us at:** Ph: 1-800-441-8791 | Fax: 716-681-1521 | Email: [service@pfannenbergsusa.com](mailto:service@pfannenbergsusa.com)