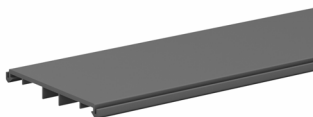
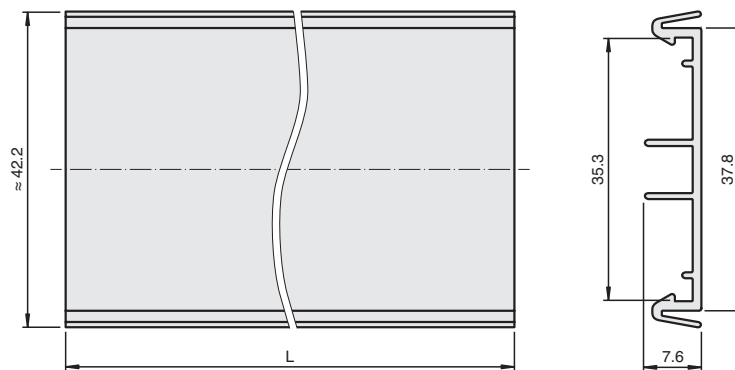


## Dimensions



## Technical data

### Mechanical specifications

Material	Polycarbonate
Mass	approx. 100 g
Dimensions	7.6 x 42.2 x 800 mm (0.3 x 1.66 x 31.5 in)
Mounting	on 35 mm DIN mounting rail acc. to EN 60715:2001

## Assembly

### Features

- Cover for 35 mm DIN mounting rail
- Suitable for 35 mm DIN mounting rail UPR-MR
- Suitable for Power Rail UPR-\*\*-\*
- Suitable for profile rail K-DUCT
- Standard length 0.8 m (2.6 ft), simple to customize to application space
- Packaging unit: 2 pieces

### Function

The cover mounts onto the 35 mm DIN mounting rail. Thereby the DIN mounting rail will be protected from pollution. The contact with electrically conductive parts on DIN mounting rail will be prevented.

