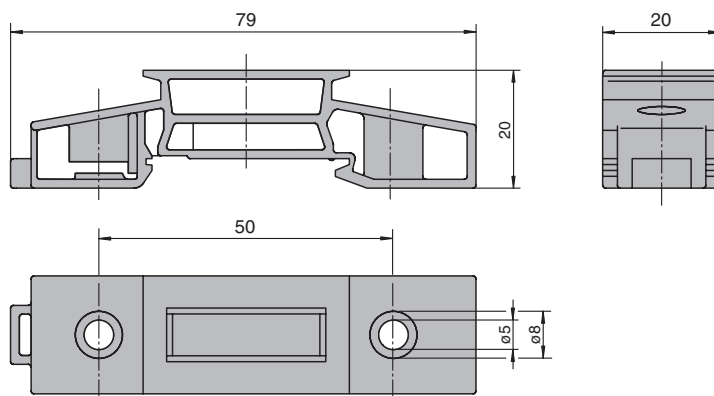




**Dimensions**



**Features**

- 1-channel
- KF module DIN rail isolation block
- Snaps on to 35 mm DIN rail acc. to EN 60715
- Easy panel mounting

**Function**

This mounting socket enables the "snap-on" mounting of K devices on a 35 mm DIN rail when there is not enough space to install the Power Rail device contacts.

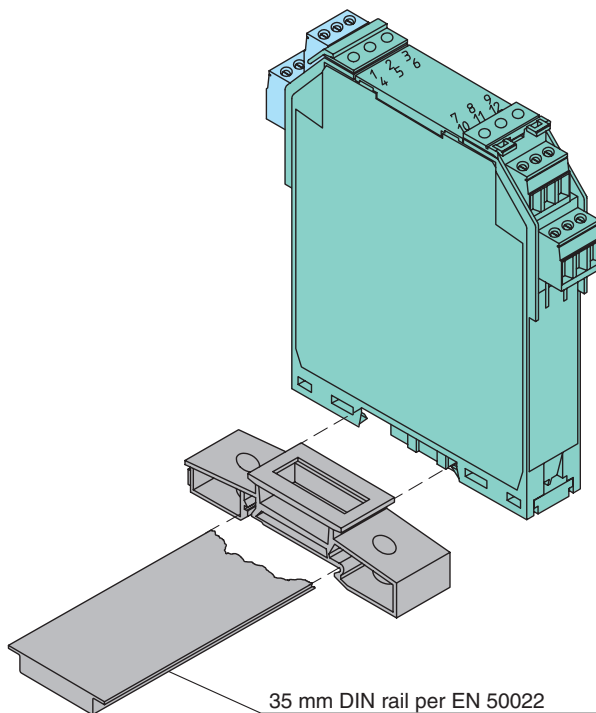
Sockets can be mounted in rows, so mounting can be accomplished with a minimum loss of space. The socket may also be used to cover unused mounting positions on the Power Rail.

**Technical data**

**Mechanical specifications**

Material	Polyamide PA 66
Mass	approx. 30 g
Dimensions	20 x 20 x 79 mm (0.8 x 0.8 x 3.1 in)
Mounting	mounting on 35 mm DIN rail acc. to DIN EN 60715

**Assembly**



Release date 2010-10-29 09:54 Date of issue 2010-10-29 03:302\_ENG.xml