

Capacitive sensor

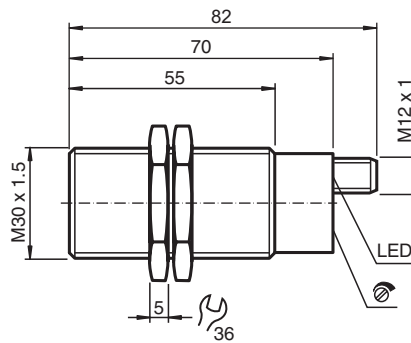
CCB10-30GS55-N1-V1



- 10 mm flush
- The switching distance can be set over a wide range with the potentiometer



Dimensions



Technical Data

| General specifications | | |
|-----------------------------|-------|--------------------------------------|
| Switching function | | Normally open (NO) |
| Output type | | NAMUR |
| Rated operating distance | s_n | 10 mm |
| Installation | | flush |
| Output type | | 2-wire |
| Nominal ratings | | |
| Installation conditions | | |
| A | | 0 mm |
| B | | 0 mm |
| C | | 20 mm |
| F | | 60 mm |
| Nominal voltage | U_o | 8.2 V (R_i approx. 1 k Ω) |
| Operating voltage | U_B | 5 ... 15 V |
| Switching frequency | f | 0 ... 50 Hz |
| Reverse polarity protection | | reverse polarity protected |
| Current consumption | | |

Release date: 2022-03-10 Date of issue: 2022-03-10 Filename: 245597_eng.pdf

Refer to "General Notes Relating to Pepperl+Fuchs Product Information".

Pepperl+Fuchs Group
www.pepperl-fuchs.com

USA: +1 330 486 0001
fa-info@us.pepperl-fuchs.com

Germany: +49 621 776 1111
fa-info@de.pepperl-fuchs.com

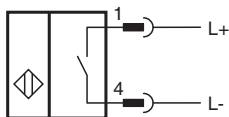
Singapore: +65 6779 9091
fa-info@sg.pepperl-fuchs.com

PF PEPPERL+FUCHS

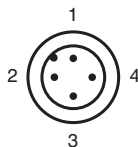
Technical Data

| | |
|---|---|
| Measuring plate not detected | ≤ 1.5 mA |
| Measuring plate detected | ≥ 2.5 mA |
| Switching state indicator | LED, yellow |
| Functional safety related parameters | |
| MTTF _d | 1134 a |
| Mission Time (T _M) | 20 a |
| Diagnostic Coverage (DC) | 0 % |
| Compliance with standards and directives | |
| Standard conformity | |
| NAMUR | EN 60947-5-6:2000 IEC 60947-5-6:1999 |
| Standards | EN 60947-5-2:2007 EN 60947-5-2/A1:2012 IEC 60947-5-2:2007 IEC 60947-5-2 AMD 1:2012 |
| Approvals and certificates | |
| ATEX approval | |
| Equipment protection level Ga | BVS 13 ATEX E 074 X |
| Equipment protection level Da | BVS 13 ATEX E 074 X |
| ETL approval | cETLus |
| Ambient conditions | |
| Ambient temperature | -20 ... 70 °C (-4 ... 158 °F) |
| Mechanical specifications | |
| Connection type | Connector plug M12 x 1 , 4-pin |
| Housing material | Stainless steel 1.4305 / AISI 303 |
| Sensing face | PTFE |
| Degree of protection | IP67 |
| General information | |
| Use in the hazardous area | see instruction manuals |

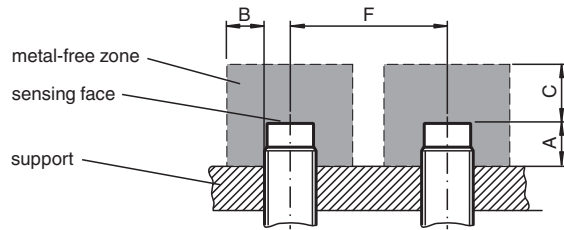
Connection



Connection Assignment



Installation



Accessories

| | | |
|---|-----------------------|--|
|  | BF 30 | Mounting flange, 30 mm |
|  | V1-W-N4-2M-PVC | Female cordset single-ended M12 angled A-coded, 4-pin, PVC cable blue, NAMUR |
|  | V1-W-N4-5M-PVC | Female cordset single-ended M12 angled A-coded, 4-pin, PVC cable blue, NAMUR |
|  | V1-G-N4-5M-PVC | Female cordset single-ended M12 straight A-coded, 4-pin, PVC cable blue, NAMUR |
|  | V1-G-N4-5M-PUR | Female cordset single-ended M12 straight A-coded, 4-pin, PUR cable blue, NAMUR |
| | V1-W-N4-5M-PUR | Female cordset single-ended M12 angled A-coded, 4-pin, PUR cable blue, NAMUR |