

# Capacitive sensor

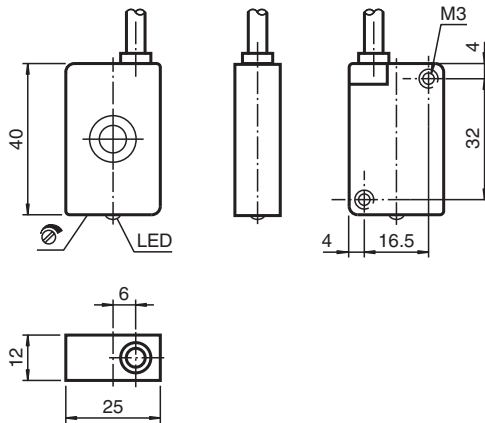
## CBN15-F64-E2



- 15 mm non-flush
- Flat housing
- Switching distance adjustable between 2 mm ... 15 mm



### Dimensions



### Technical Data

| General specifications      |       |                            |
|-----------------------------|-------|----------------------------|
| Switching function          |       | Normally open (NO)         |
| Output type                 |       | PNP                        |
| Rated operating distance    | $s_n$ | 15 mm                      |
| Installation                |       | non-flush                  |
| Output polarity             |       | DC                         |
| Assured operating distance  | $s_a$ | 0 ... 12.1 mm              |
| Output type                 |       | 3-wire                     |
| Nominal ratings             |       |                            |
| Installation conditions     |       |                            |
| B                           |       | 15 mm                      |
| C                           |       | 30 mm                      |
| F                           |       | 45 mm / 60 mm              |
| Operating voltage           | $U_B$ | 10 ... 30 V DC             |
| Switching frequency         | f     | 0 ... 100 Hz               |
| Hysteresis                  | H     | 1 ... 10 typ. 5 %          |
| Reverse polarity protection |       | reverse polarity protected |

Release date: 2022-06-30 Date of issue: 2022-06-30 Filename: 310470\_eng.pdf

Refer to "General Notes Relating to Pepperl+Fuchs Product Information".

Pepperl+Fuchs Group  
www.pepperl-fuchs.com

USA: +1 330 486 0001  
fa-info@us.pepperl-fuchs.com

Germany: +49 621 776 1111  
fa-info@de.pepperl-fuchs.com

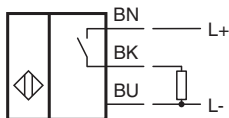
Singapore: +65 6779 9091  
fa-info@sg.pepperl-fuchs.com

PEPPERL+FUCHS

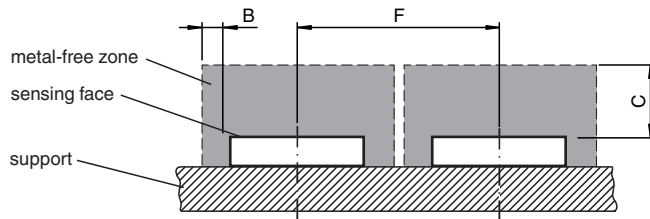
## Technical Data

|   |       |   |
|---|-------|---|
| Short-circuit protection                        |       | pulsing<br>$I_{\max} \leq 500 \text{ mA}$   |
| Voltage drop                                    | $U_d$ | $\leq 2 \text{ V}$  |
| Repeat accuracy                                 | R     | $\leq 1.5 \text{ mm}$   |
| Operating current                               | $I_L$ | 0 ... 100 mA  |
| Off-state current                               | $I_r$ | 0 ... 50 $\mu\text{A}$ typ. 5 $\mu\text{A}$   |
| No-load supply current                          | $I_0$ | $\leq 15 \text{ mA}$  |
| Switching state indicator                       |       | LED, yellow   |
| <b>Functional safety related parameters</b>     |       |   |
| MTTF <sub>d</sub>                               |       | 941 a   |
| Mission Time (T <sub>M</sub> )                  |       | 20 a  |
| Diagnostic Coverage (DC)                        |       | 0 %   |
| <b>Indicators/operating means</b>               |       |   |
| Potentiometer                                   |       | sensitivity adjustment  |
| <b>Compliance with standards and directives</b> |       |   |
| Standard conformity                             |       |   |
| Standards                                       |       | EN 60947-5-2:2007<br>EN 60947-5-2/A1:2012<br>IEC 60947-5-2:2007<br>IEC 60947-5-2 AMD 1:2012 |
| <b>Approvals and certificates</b>               |       |   |
| UL approval                                     |       | cULus Listed, General Purpose   |
| CCC approval                                    |       | CCC approval / marking not required for products rated $\leq 36 \text{ V}$                  |
| <b>Ambient conditions</b>                       |       |   |
| Ambient temperature                             |       | -25 ... 70 °C (-13 ... 158 °F)  |
| Storage temperature                             |       | -40 ... 85 °C (-40 ... 185 °F)  |
| Pollution degree                                |       | 3   |
| <b>Mechanical specifications</b>                |       |   |
| Connection type                                 |       | cable PUR , 2 m   |
| Core cross section                              |       | 0.34 mm <sup>2</sup>  |
| Housing material                                |       | PBT   |
| Sensing face                                    |       | PBT   |
| Degree of protection                            |       | IP67  |
| Cable   |       |   |
| Cable diameter                                  |       | 4.8 mm $\pm$ 0.2 mm   |
| Bending radius                                  |       | > 10 x cable diameter   |
| Tightening torque, housing screws               |       | $\leq 2 \text{ Nm}$   |
| Note  |       | Screw-in depth of housing screws, max. 8 mm   |

## Connection



## Installation Conditions



## Accessories

|   |                      |                       |
|---|----------------------|-----------------------|
|  | <p><b>MH-F64</b></p> | <p>Mounting plate</p> |
|---|----------------------|-----------------------|

Release date: 2022-06-30 Date of issue: 2022-06-30 Filename: 310470\_eng.pdf