



LE



Signal Tower

Direct Mount

Pole Mount



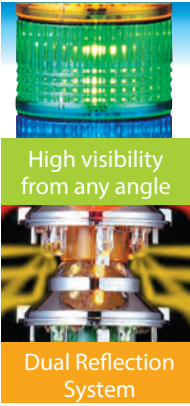
- LED
- 2 Alarm Sounds (FB Type)
- 85dB at 1m
- IP54 (Pole-mount IP23)
- Ø50
- NPN/PNP Open-collector



Versatile, cost and energy efficient LED Signal Tower for every need.

FEATURES

- PATLITE's exclusive Prism-Cut Lens designed for enhanced visibility from any direction and distance.
- Original Dual Reflection System for enhanced light diffusion; creating bright, distinctive illumination while saving energy.
- Two built-in alarms (FB Type) with selectable sound patterns.
- Adjustable volume of up to 85dB (at 1m).
- Direct or pole mount installation.
- Color-coordinated wiring corresponding to the lens color for quick wiring and verification.
- Interchangeable Modules need no re-wiring, even after installation.
- Main body is constructed of ABS resin with superior resistance to impact and heat.
- Lens is made of superior impact resistant and light translucent AS resin.
- NPN/PNP Compatible (Except for LE 100/220V AC, compatible with NPN only).
- Available colors are in Red, Amber, Green, Blue, and Clear/White.
- Conforms to the CE requirements (for 12V, 24V type only).
- UL Recognized Components (File No. E215660) (for 12V,24V type only).



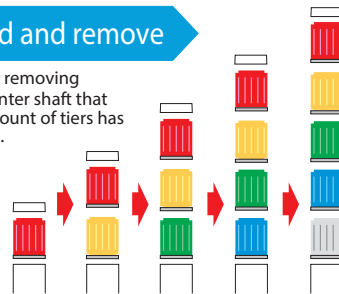
High visibility from any angle

Dual Reflection System

PATLITE's original dual reflection system with its exclusive hybrid prism-cut lens and five color LED modules, creates a bright and evenly distributed illumination.

Easy to add and remove

- When adding or removing modules, the center shaft that matches the amount of tiers has to be purchased.



Interchangeable LED Modules

Changeable color sequence: Easy to add/remove up to 5 colored modules even after installation.

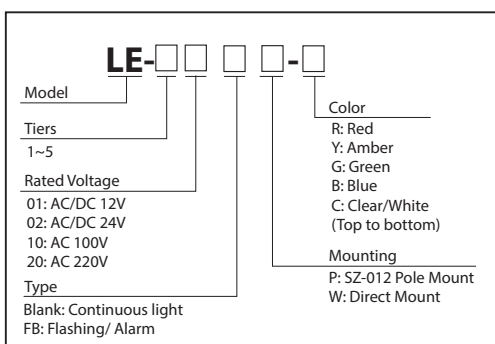
Note: LED modules of the same color within a signal tower will light up simultaneously.



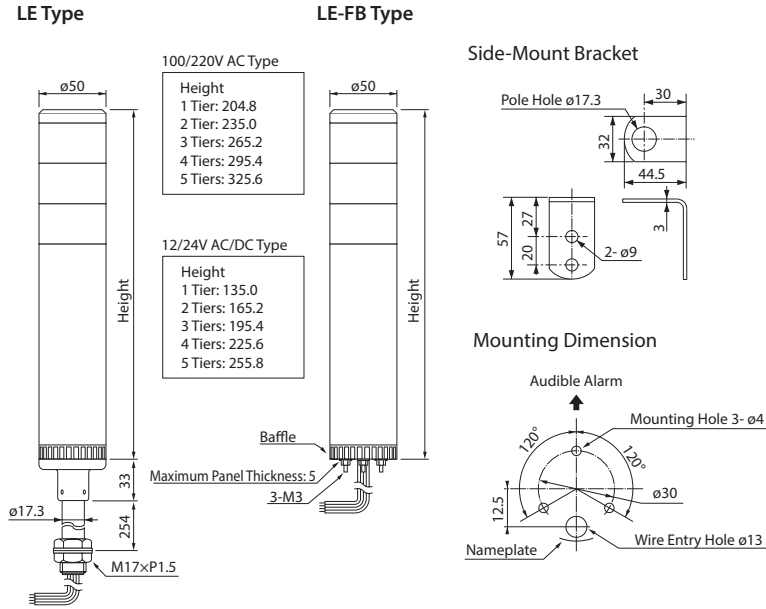
Wiring doesn't change

- The LED Module colors correspond to the wiring, so re-wiring is not necessary.

How to Order

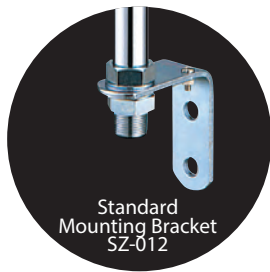


Dimensions (Unit: mm)



Specifications

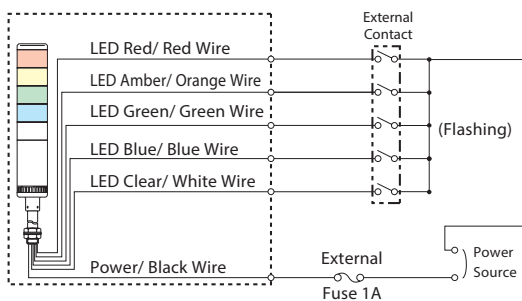
Stack Number	Model	Rated Voltage	Power Consumption	Mass	
				(FB)P	(FB)W
1 Tier	LE-101	AC/DC 12V	1.1W	640g	260g
	LE-102	AC/DC 24V	1.6W		
	LE-110	AC 100V	5.7W	780g	400g
	LE-120	AC 220V			
2 Tiers	LE-201	AC/DC 12V	1.7W	690g	310g
	LE-202	AC/DC 24V	2.2W		
	LE-210	AC 100V	6.7W	830g	450g
LE-220	AC 220V				
3 Tiers	LE-301	AC/DC 12V	2.2W	740g	360g
	LE-302	AC/DC 24V	2.7W		
	LE-310	AC 100V	7.5W	880g	500g
LE-320	AC 220V				
4 Tiers	LE-401	AC/DC 12V	2.7W	790g	410g
	LE-402	AC/DC 24V	3.2W		
	LE-410	AC 100V	8.3W	930g	550g
LE-420	AC 220V				
5 Tiers	LE-501	AC/DC 12V	3.2W	840g	460g
	LE-502	AC/DC 24V	3.7W		
	LE-510	AC 100V	9.1W	980g	600g
LE-520	AC 220V				



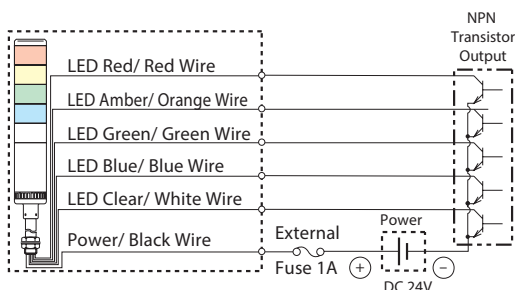
Wiring

LE Model

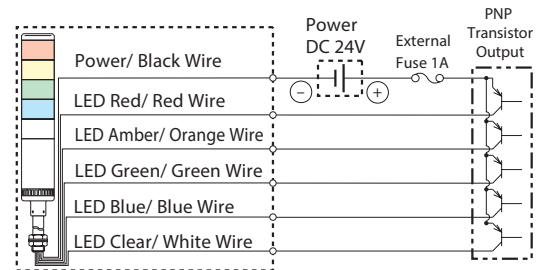
AC/DC 24V Lighting Type



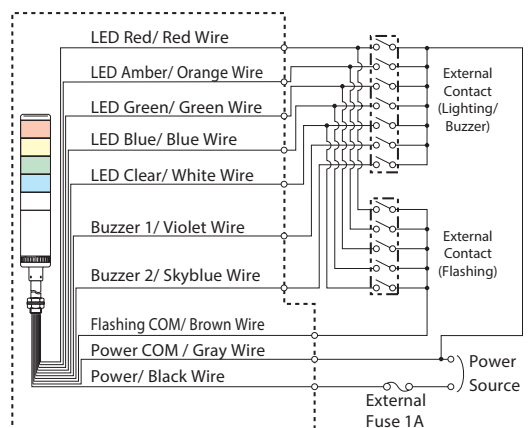
DC 24V NPN Type



DC 24V PNP Type

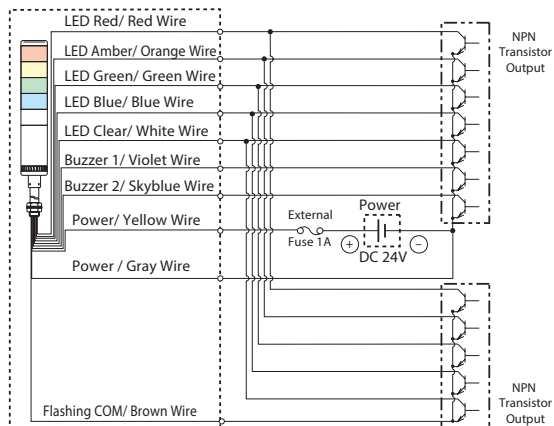


AC/DC 24V Lighting/Flashing Type

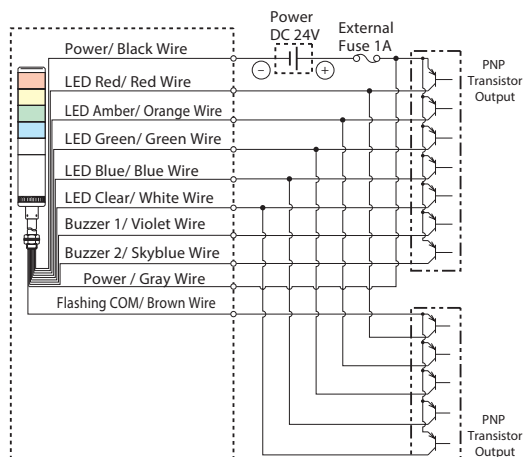


LE Model

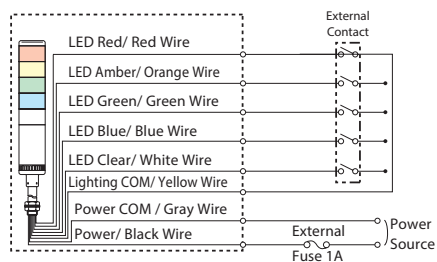
DC 24V NPN FB Type



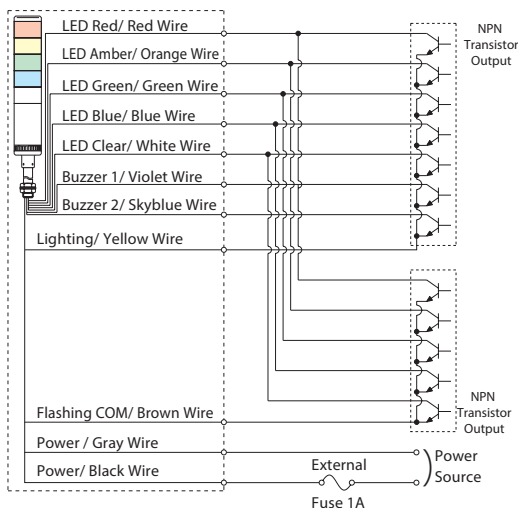
DC 24V PNP FB Type



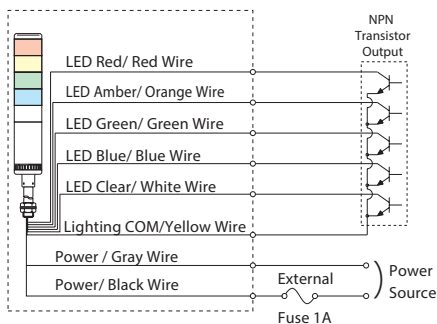
AC Power Lighting Type



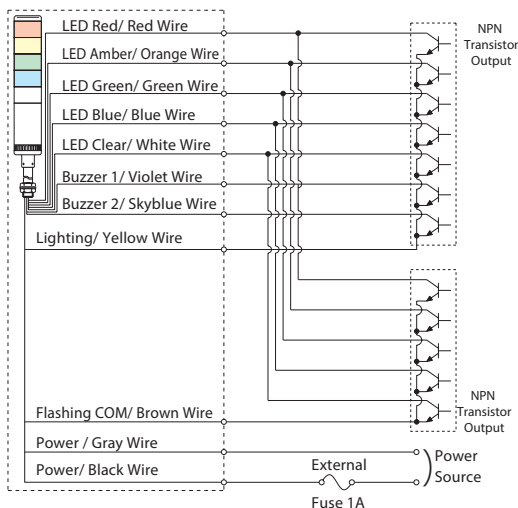
AC Power Lighting/Flashing Type



AC Power NPN Type



AC Power NPN FB Type



Signal Line Voltage and Current per LED Module

Voltage Type	Signal Line Voltage	LED			Alarm	
		Signal Line Current			Signal Line Current	Inrush Current
		R, Y	G, C	B		
AC/DC 12V	AC/DC12V	50mA	40mA	44mA	40mA	150mA
AC/DC24V	AC/DC 24V	25mA	20mA	22mA		
AC 100V, 220V	DC 24V	25mA	20mA	22mA		

Lead-wire color coordination table

LED Unit Color	Lead Wire Color
Red	Red
Amber	Orange
Green	Green
Blue	Blue
Clear/White	White

Alarm Sounds	Lead Wire Color
Buzzer 1	Purple
Buzzer 2	Skyblue