

# FV-127JP



## MP3 File Playback Circuit Board

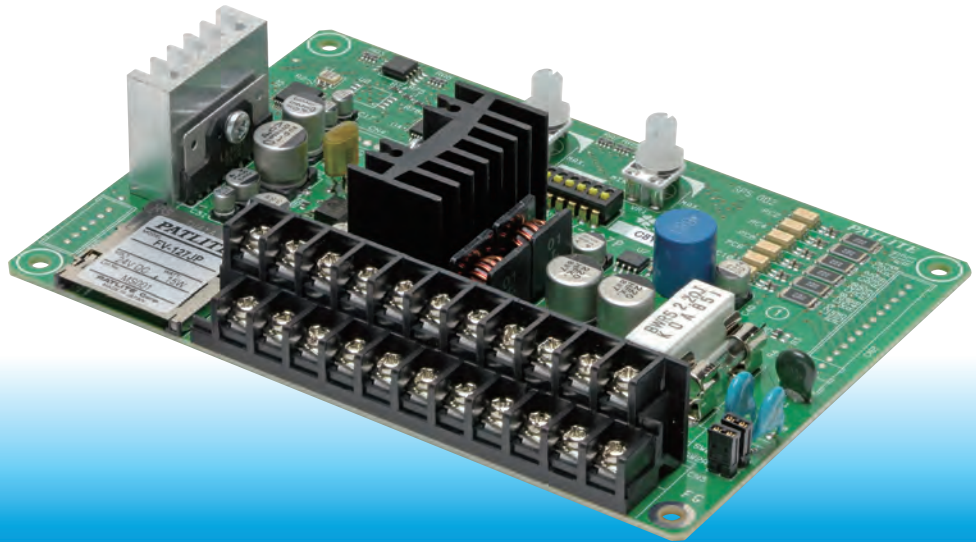


**127 Channels** (Binary)

**8 Minutes**

**24VDC**

**NPN  
Open-collector**



**Audio messages can be registered up to 127 channels, ideal for various equipment or facility purpose where the audio message assistance is required.**

### FEATURES

- High quality sound and long playback time.
- MP3 compressed audio file format enables long playback time and high quality sound.
- Approximately eight minutes worth of audio messages can be stored in the onboard memory.
- Capable of 240 minutes of message playback when using an SD card as external memory. (MP3 data at standard 64kbit/s rate and 128Mb SD Card)
- Audio messages can be overwritten and reprogrammed with the Playlist Editor 2 (free download) and optional SD Card.
- Data stored in the onboard memory can be extracted to the SD Card.
- 3 sound reduction levels of -10dB, -20dB and -30dB (at 1m) can be controlled by an external signal.
- Five different playback modes are available

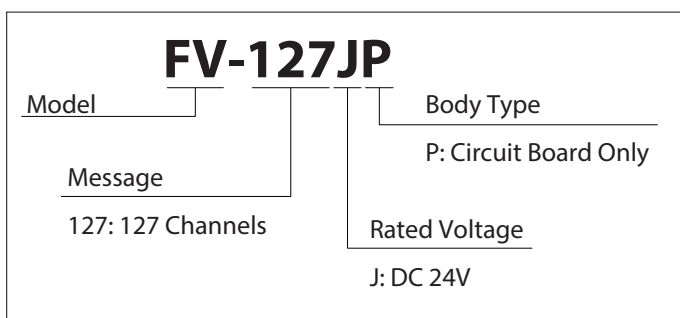
### NOISE REDUCTION FEATURES

- Input delay can be selected (10ms or 50ms) to reduce noise
- Extending the delay to input a signal reduces noise
- Another noise countermeasure can include setting jumper pins

### OTHER FEATURES

- Terminal block to provide safe and secure wire connections.
- Selectable speaker output (2W or 4W), AUX and BUSY Output terminals.
- Operating voltage range is from 19V to 29V DC (Rated Voltage: 24V DC)
- This product is compliant with the RoHS directive (DIRECTIVE 2002/95/EC)

## How to Order



### Options

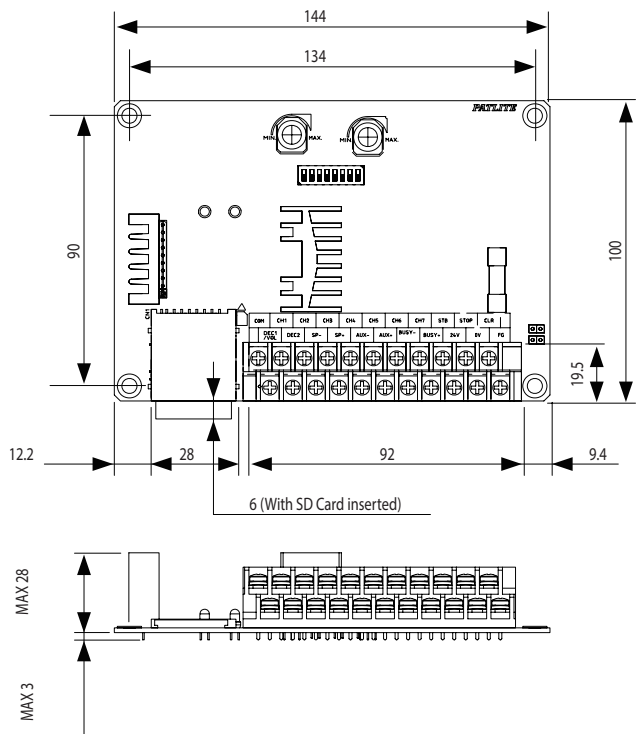
**PATLITE Playlist Editor 2**  
(Free Download)

**SD Card**  
(2 GB)  
SDV-2GP



(OS: Windows® 2000/XP/Vista/Windows 7/Windows 8)

- > The new PATLITE Playlist Editor 2 is required to change the audio message data for this product.
- > The SD Card does not contain any data.



## Normal Playback

Designated audio message is played back by distinctive signal input. Audio message is played back once in case of one shot input, and audio message is repeated when the signal is input continuously.

## Memory Playback

Up to 23 audio message inputs can be memorized in order of input. After one playback is finished, the next memorized audio message will be played back. The inputs exceeding the limit will not be memorized.

## Latest Input and Greater Channel Priority Playback

When the signal for a greater channel number is input during the message playback, the audio message being played back will be stopped, and previous audio message input will be played back. When the signal for the same or smaller channel number is input, the signal will not be accepted.

## Momentary Playback

Audio message is played back only while the signal input is maintained. Playback will be stopped when the signal input is stopped.

## Latest Input Priority Playback

When the signal is input during the message playback, the audio message being played back will be stopped, and the previous audio message input will be played back.

# Specifications

General Specifications	
Model Name	FV-127JP
Rated Voltage	DC 24V
Operating Voltage Range	DC 19 to 29V
Wiring Method	M3 Terminal Bus
Power Consumption	Maximum 15W (1*)
Operating Temperature Range	-10 to 50°C
Storage Temperature	-40 to 80°C
Relative Humidity	85% RH or less
Operating Environment	Built-in Type Only
Installation Method	4 Screw Tie-down
Vibration Resistance	45m/s <sup>2</sup> (30Hz forward and back/Left and right for 2hrs., up and down for 4hrs.)
Mass	160g ±10%
Outer Dimensions	144×100×28 [mm] (Lead Wires and Mounting Posts not included)
Audible Specifications	
Replay Message Number	For Binary: 127 For Bit Input: 7
Audio File Format	MPEG1-Audio Layer: (MP3)
Bit Rate	32kbit/s; 64kbit/s(Standard); 128kbit/s Fs=44.1kHz
Maximum PlaybackTime	On-board Memory (4MB): About 8 min (Recorded with standard bit rate) External Memory (SD Card): With 128MB about 240 min. (Standard Bit Rate Recording)
On-board Memory Size	4,360,191 byte
Audio Start-up Time	About 260ms (When sound mute not added at beginning and end of messages)
Audio Pause Time	Unless specified, 100ms sound mute added at beginning and end of messages
Compatible Memory Card	SD Card Recommended Part No.: SDV-2GP (Sold Separate)
Card Format	FAT16
Audio Rewrite Capability	Use with Patlite Playlist Editor 2 (Free Download) and an SD Card
Audio Rewrite Time	About 180 sec. (When changing the 4MB on-board memory)
Input / Output Specifications	
Signal Input Section	CH1, CH2, CH3, CH4, CH5, CH6, CH7, STB, CLR, STOP, DEC1/VOL, DEC2
Signal Input Priority	CLR Input > STOP Input > CH Input (Larger Channel takes Priority)
Sound Reduction Input	Speaker/AUX Output: Three Sound Reduction Levels of -10dB, -20dB, -30dB (1*)
Input Hold Time	More than 10ms or 50ms (Changeable Settings)
Signal Input Type	Non-voltage contact or NPN Open Collector
Speaker Output	8Ω compatible speaker of 4W or more, or 8Ω compatible speaker of 2W or more (Switchable Setting)
Maximum SoundPressure	Speaker Output at 4W: 105 dB; at 2W: 102dB (2*)
AUX Output	0dBV 600Ω (Adjustable with Volume Control or Sound Reduction Input)
BUSY Output	Maximum DC40V, 500mA

(1\*) 1kHz Sine Wave Data Playback at -6dB

(2\*) At 1m with 1kHz Sine Wave Data Playback and SPW-5E Speaker (Sold Separate)

Notes:

- This product complies with the RoHS directive (DIRECTIVE 2002/95/EC)
- Actual sound level will depend on sound type and surrounding operating conditions.
- MPEG Layer-3 audio coding technology licensed from Fraunhofer IIS and Thompson Licensing