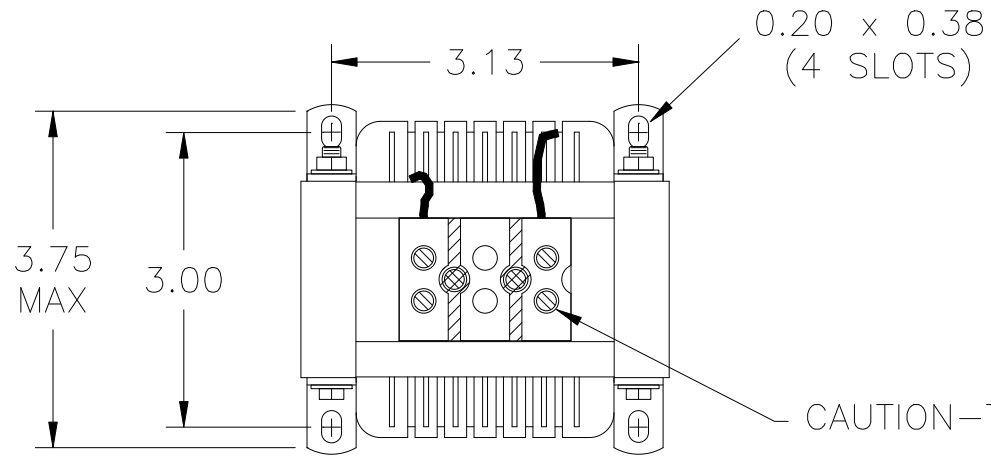


FILE: J:\CUSTDWG\DCA\DCA002503

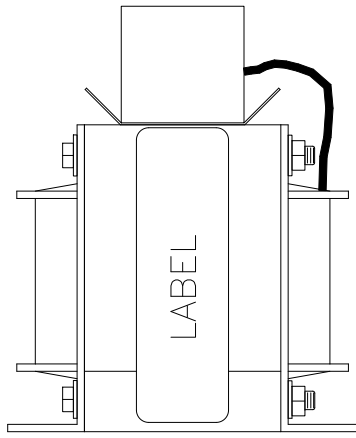
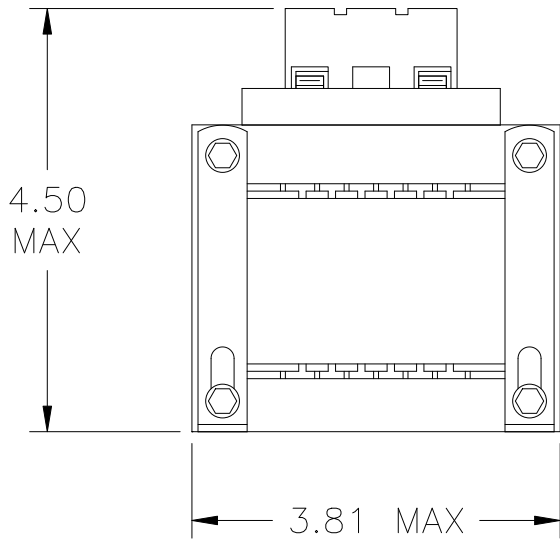
|            |          |        |
|------------|----------|--------|
| INDUCTANCE | LOSSES   | WEIGHT |
| 1.75 mH    | 13 Watts | 7 Lbs  |

|     |                    |    |      |       |
|-----|--------------------|----|------|-------|
| NO. | CHANGE DESCRIPTION | BY | DATE | C'K'D |
|-----|--------------------|----|------|-------|



WIRE RANGE: 18-4 AWG

CAUTION-TERMINAL SCREW TIGHTENING TORQUE: 20 in-lb MAX.



UNLESS OTHERWISE SPECIFIED, DIMENSIONS ARE IN INCHES [mm] AND TOLERANCES ARE:

DECI.                      FRAC.

ANGLES                    DRILLED HOLES

|              |                   |
|--------------|-------------------|
| PART NAME:   | DC CHOKE          |
| DESCRIPTION: | OUTLINE DIMENSION |
| FINISH:      |                   |

|   |        |      |                |
|---|--------|------|----------------|
| MTE CORPORATION<br>MENOMONEE FALLS, WISCONSIN |        |      |                |
| DCA002503                                     |        |      | REV.<br>00     |
| SCALE   | NTS    | DATE | 06/28/05       |
| REF.  | DR. BY | AGK  | C'K'D<br>APP'D |