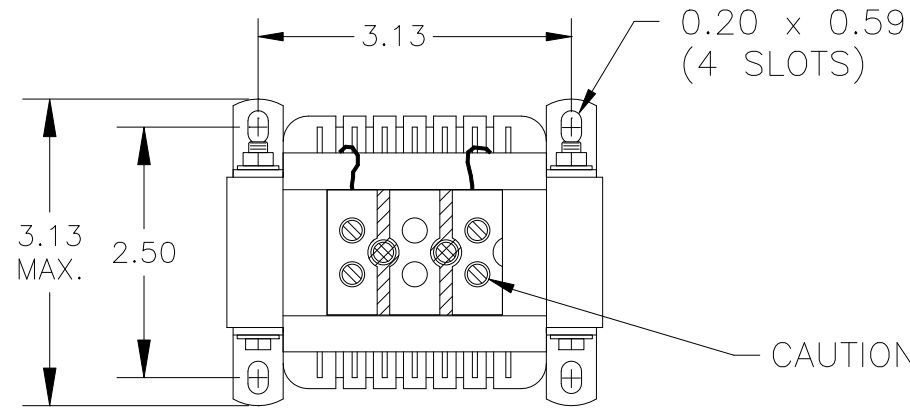


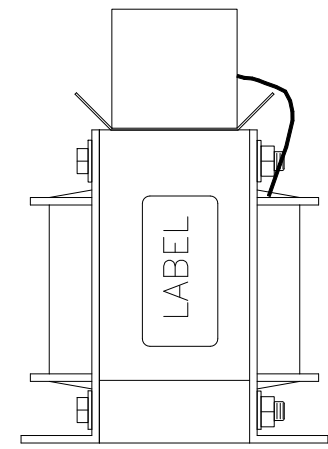
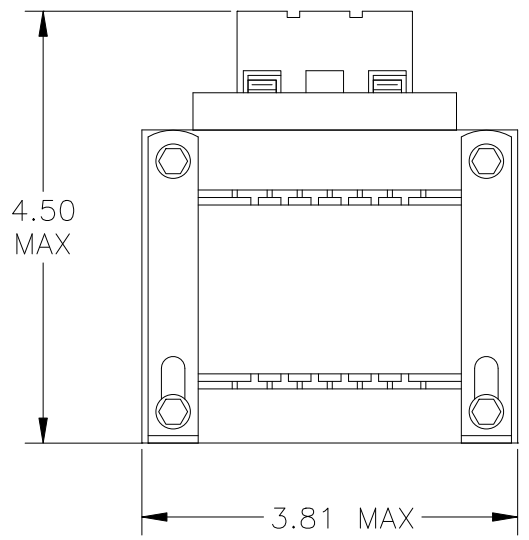
FILE: J:\CUSTDWG\DCA\DCA004001

INDUCTANCE	LOSSES	WEIGHT
0.5 mH	14 Watts	5 Lbs

NO.	CHANGE DESCRIPTION	BY	DATE	C'K'D
-----	--------------------	----	------	-------



WIRE RANGE: 18-4 AWG



UNLESS OTHERWISE SPECIFIED, DIMENSIONS ARE IN INCHES [mm] AND TOLERANCES ARE:

DECI.                      FRAC.

ANGLES                      DRILLED HOLES

PART NAME:	DC CHOKE
DESCRIPTION:	OUTLINE DIMENSION
FINISH:	

MTE CORPORATION MENOMONEE FALLS, WISCONSIN			
DCA004001			REV. 00
SCALE	NTS	DATE	06/28/05
REF.	DR. BY	AGK	APP'D