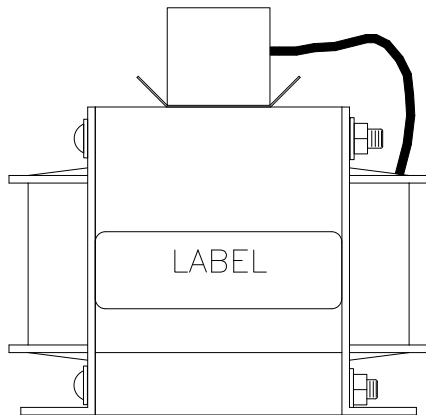
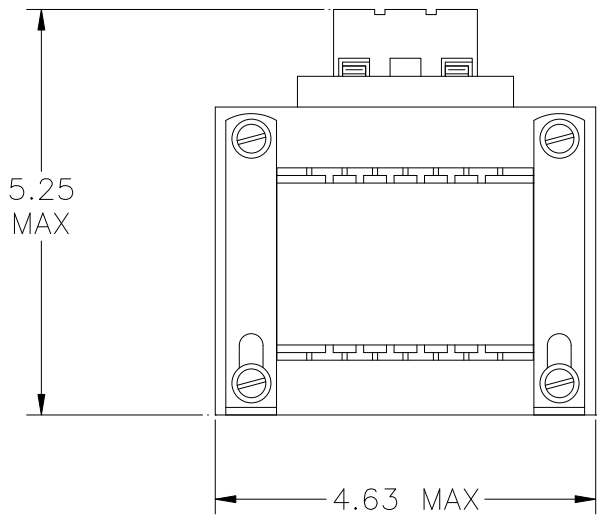
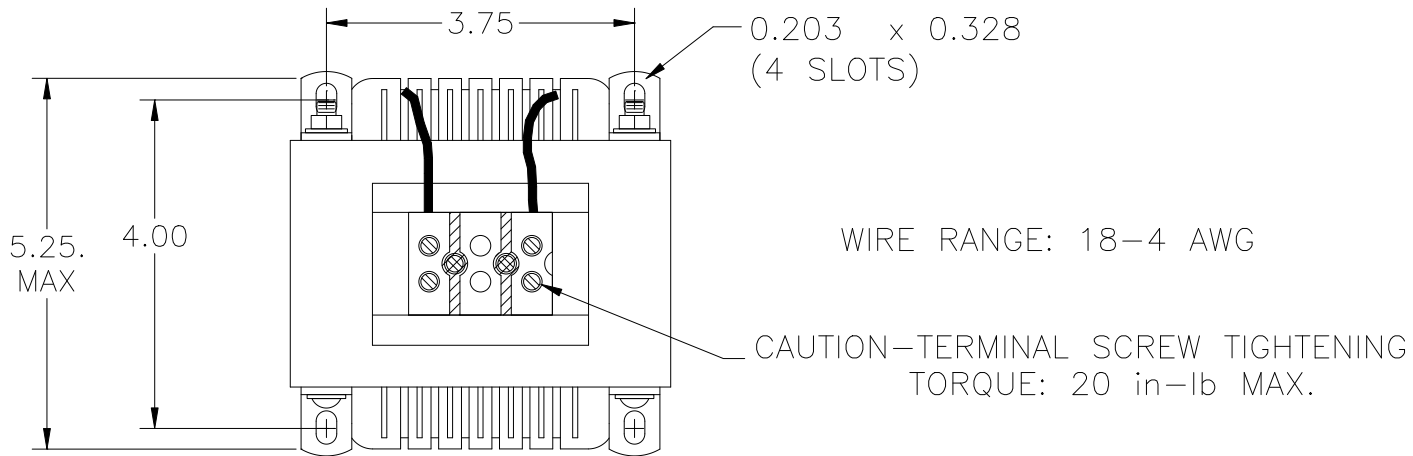


FILE: J:\CUSTDWG\DCA\DCA005003

INDUCTANCE	LOSSES	WEIGHT
1.35 mH	21 Watts	15 Lbs

NO.	CHANGE DESCRIPTION	BY	DATE	C'K'D
-----	--------------------	----	------	-------



UNLESS OTHERWISE SPECIFIED, DIMENSIONS ARE IN INCHES [mm] AND TOLERANCES ARE:

DECI. FRAC.

ANGLES DRILLED HOLES

PART NAME:	DC CHOKE
DESCRIPTION:	OUTLINE DEMENSION
FINISH:	

MTE CORPORATION MENOMONEE FALLS, WISCONSIN			
DCA005003			REV. 00
SCALE	NTS	DATE	06/2805
REF.	DR. BY	AGK	C'K'D APP'D