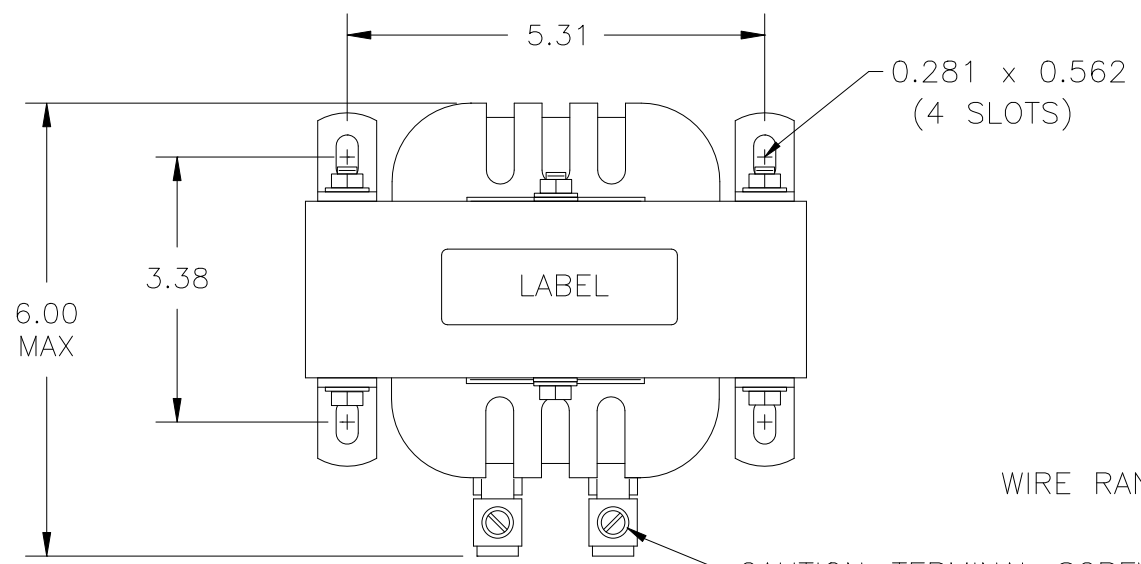


FILE: J:\CUSTDWG\DCA\DCA005004

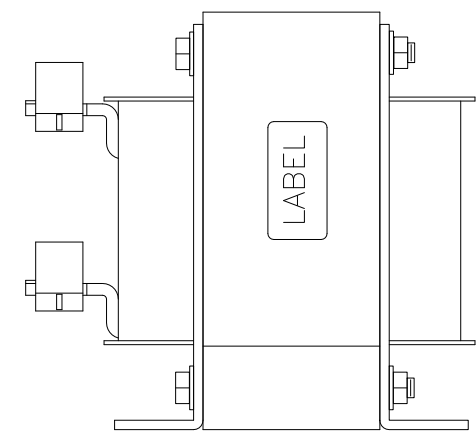
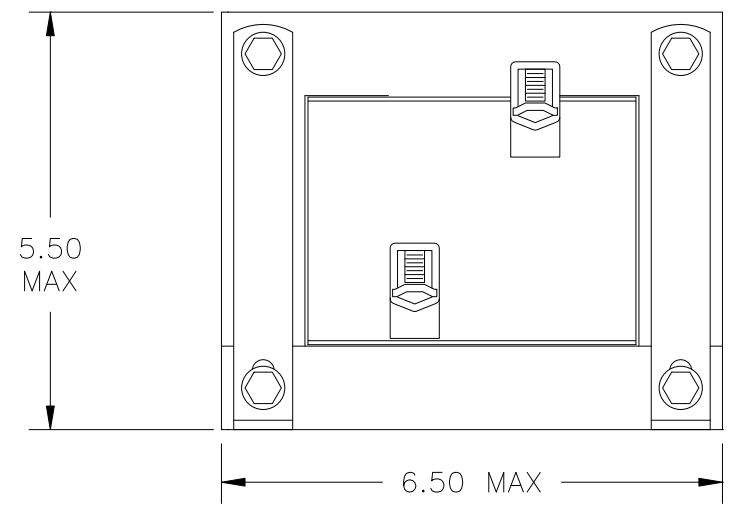
INDUCTANCE	LOSSES	WEIGHT
2.0 mH	30 Watts	25 Lbs

NO.	CHANGE DESCRIPTION	BY	DATE	C'K'D
-----	--------------------	----	------	-------



WIRE RANGE: 6-0 AWG

CAUTION-TERMINAL SCREW TIGHTENING TORQUE:
6-4 (45) in-lb MAX.
2-0 (50) in-lb MAX.



UNLESS OTHERWISE SPECIFIED, DIMENSIONS ARE IN INCHES [mm] AND TOLERANCES ARE:

DECI. FRAC.

ANGLES DRILLED HOLES

PART NAME:	DC CHOKE
DESCRIPTION:	OUTLINE DIMENSION
FINISH:	

MTE CORPORATION MEMONONEE FALLS, WISCONSIN			
DCA005004			REV. 00
SCALE	NTS	DATE	06/28/05
REF.	DR. BY	AGK	APP'D