

Transformer Specifications	
PRIMARY VOLTAGE(S)	120x240
SECONDARY VOLTAGE(S)	120x240
RATED V.A.	500
RATED FREQUENCY	50/60
INSULATION CLASS	130
AGENCY APPROVALS	UL, CUL
ESTIMATED WEIGHT	17.0 LBS

FOR TEST REQUIREMENTS SEE 412-0124F
COIL TEST PAGE

IND. BOX LABEL

MICRON
TRANSFORMERS
800 664-4660
www.MicronTransformers.com

QTY. 1

500VA
PRIMARY:
120X240

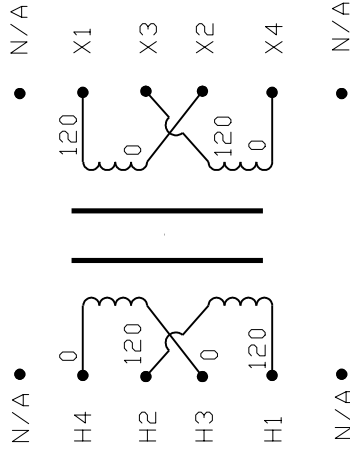
SECONDARY:
120X240

FREQUENCY:
50/60Hz

MADE IN USA

CAT. B500LP1519JJF
SERIES 2

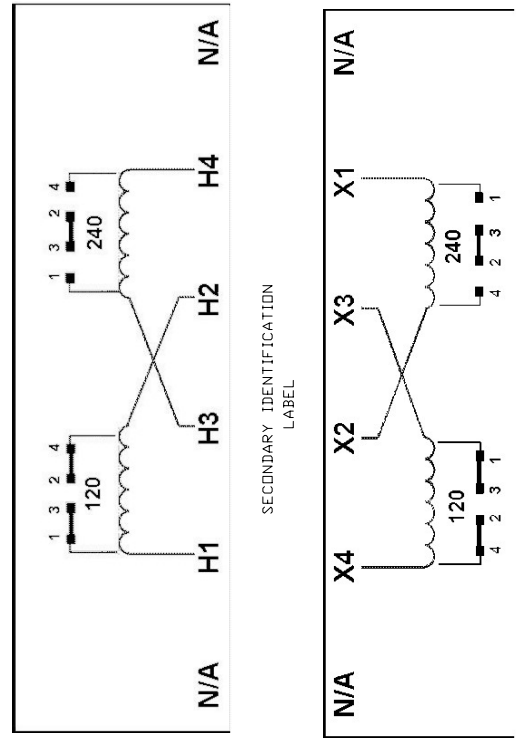
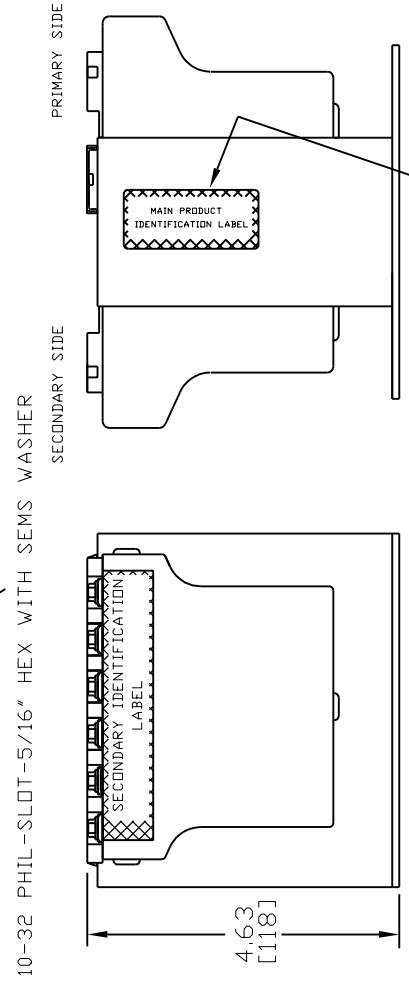
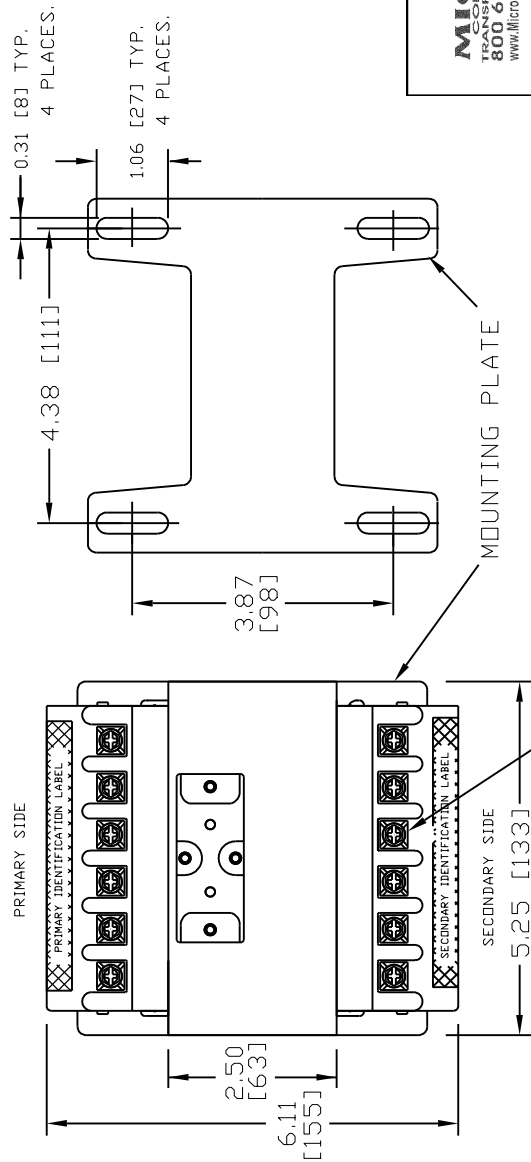
39135



CONNECTION DIAGRAM

NOTE:

1. ALL MEASUREMENTS IN INCHES (MM)



MAIN PRODUCT IDENTIFICATION LABEL

MICRON
TRANSFORMERS
800 664-4660
www.MicronTransformers.com

500VA 50/60Hz
TEMP CL. 130°C

CAT. NO. B500LP1519JJF
SERIES 2

39135

Listed 702X

PACKAGED ACCESSORIES

1 2 PAIR OF JUMPERS

MICRON
TRANSFORMERS
1211 W. 22nd STREET, Suite 200, DAK BROOK, ILL.
Tel: (800)664-4660, (630)516-1222 Fax: (630)516-1820
www.MicronPower.com

DATE	3/11/09	DRAWN	J.G.V	CHECKED	APPROVED
RELEASE DATE		CUSTOMER PART NO.			
MICRON PART NO.	B500LP1519JJFA7777A2	SCALE			
SIZE	B500LP1519JJFA7777B2	INDICE			
C					

REV	DATE	BY	REVISIONS
A	3/11/09	J.V	NEW
ECL			