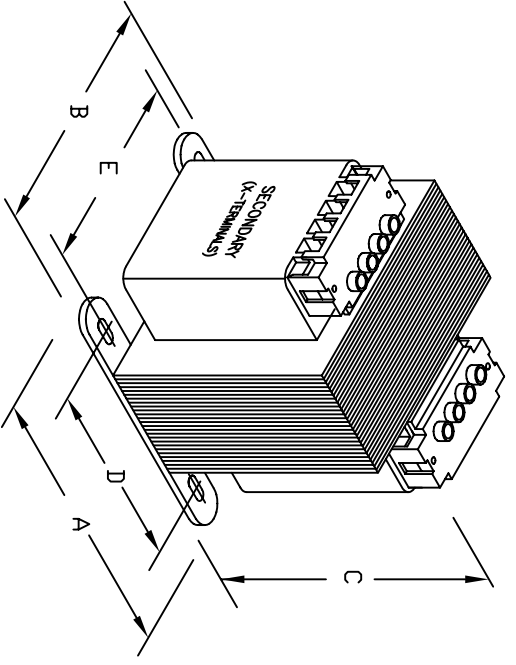


CONNECTION TABLE

PRIMARY		SECONDARY		
VOLT TERM.	VOLT TERM.	VOLT TERM.	VOLT TERM.	TERM.
200	H4-H3	23	X3-X2	110 X3-X1
208	H4-H3	24	X3-X2	115 X3-X1
220	H4-H2	23	X3-X2	110 X3-X1
230	H4-H2	24	X3-X2	115 X3-X1
240	H4-H2	25	X3-X2	120 X3-X1
440	H4-H1	23	X3-X2	110 X3-X1
460	H4-H1	24	X3-X2	115 X3-X1
480	H4-H1	25	X3-X2	120 X3-X1



PROVIDED WITH SAFE TOUCH TERMINAL COVERS.
NO INTEGRAL FUSING CAPABILITY.

DIMENSIONS					MTG. SLOTS	APPRDX. WT. LBS (KG)
A	B	C	D	E		
INCHES (MM)	7.19 (183)	5.25 (133)	4.50 (114)	5.88 (149)	4.38 (111)	0.313X1.063 (8.0X27.0)



MICRON INDUSTRIES CORPORATION
777 CHURCH ROAD - ELMHURST, IL 60126
Tel. (800) 664-4660, (630) 516-1222 Fax (630) 516-1820
www.microntransformers.com

CAT. NO.		B500-2109-GAP		CONST. ENCAPSULATED		LISTED	
OUTPUT AMPS		20.83/4.35 PRIMARY V		MODEL GLOBALTRAN		CERTIFIED	
VA		500 SECONDARY V		RATING		TEMP. CLASS	
						130°C	
						HZ 50/60	
						REVISION G	
						IEC 61558	