



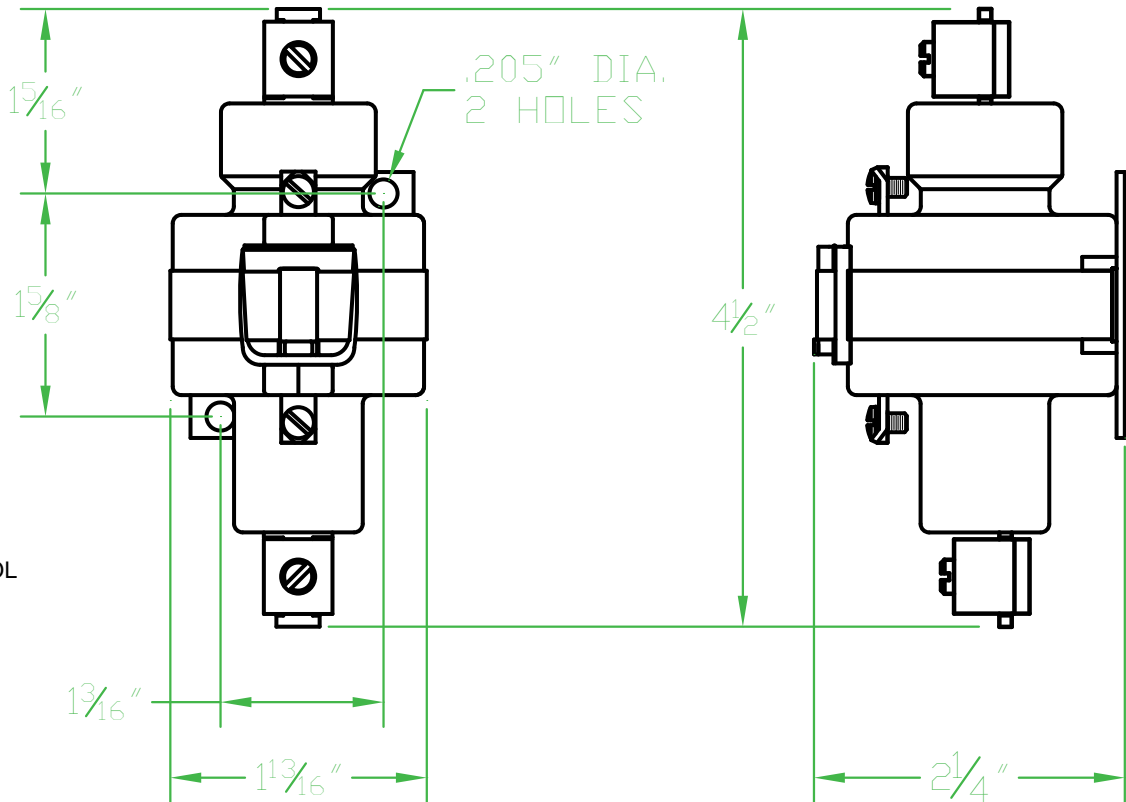
MERCURY DISPLACEMENT INDUSTRIES, INC.

Post Office Box 710 - U.S. 12 East - Edwardsburg, Michigan 49112-0710

Phone (269) 663-8574 - Fax (269) 663-2924

(800) 634-4077

60NC-120A Normally Closed



INDUSTRIAL CONTROL EQUIPMENT



* CONTACT RESISTANCE .002 ohms

* DIELECTRIC WITHSTAND 2,500 VAC RMS

* OPERATE TIME 30 MILLISECONDS

* RELEASE TIME 35 MILLISECONDS

* RATINGS:

CONTACTS: 60 AMP @ 480 VAC

RESISTIVE OR GEN. PUPOSE

COIL: 120V 50/60 Hz

CURRENT: 69 mA

RESISTANCE: 860 Ω

VA: 8.3 WATTAGE: 4.1

* TEMPERATURE RANGE -35° TO $+85^{\circ}$ C

* COIL TERMINALS #6 BINDING HEAD SCREWS TORQUE TO 7 IN-LB

* LOAD TERMINALS 2-8 A.W.G. COMPRESSION TYPE TORQUE TO 45 IN-LB

* SINGLE POLE / SINGLE THROW

* MAGNETICALLY ACTIVATED

* MERCURY CONTACTOR

* LIFE CYCLE ENDURANCE TESTS: U.L. 508 @ 100,00 & CSA 22.2 @ 250,000 CYCLES

Contactors - Relays - Switches

J.J.S. February 28, 2013

<http://www.mdious.com>