

Leerwert

Standard- sprache

Identification	Type Part-No.	TOP-T EMC Metal M20x1.5 FMM20-CV
Use/Application/Characteristics		
Characteristics	<ul style="list-style-type: none">• Adapts to different size cable shields• 360° vibration proof shield termination• Integrated strain relief• Wide sealing and clamping range• Updated design for easy installation• Easy insertion of the cable from either end of the fitting• Low contact resistance due to large alloy copper contacts• manufactured acc. to EN 62444	
Description		
	Metal EMC (Electro Magnetic Compatibility), Quick Installation, Vibration Proof	
Technical data		
Clamping range D	7.5 – 14 mm	
Clamping range D	0.295 – 0.551 inch	
Certifications	cULus	
Temperature range	-20 °C ... +100 °C -4 °F ... +212 °F	
Temperature range intermittently	-40 °C...+150 °C -40 °F...+302 °F	

20.08.2020 – Subject to technical modification

Part-No. FMM20-CV

USA: LUTZE INC.

13330 South Ridge Drive • Charlotte, NC 28273, USA
Tel. +1 (704) 504-0222 • Fax +1 (704) 504-0223
www.lutze.com • info@lutze.com

United Kingdom: LÜTZE Ltd.

Unit 3, Sandy Hill Park
Sandy Way, Amington • GB-Tamworth, Staffs B77 4DU
Tel. +44 (0)1827 31333-0 • Fax +44 (0)1827 31333-2
www.lutze.com • sales.gb@lutze.co.uk



SYSTEMATIC TECHNOLOGY

Technical data sheet -

Protection class	IP68 Typ 4X UL50E
Thread form	metric
Thread standard	metric acc. to EN 60423
Thread G	M 20x1.5
SW 1	24 mm
SW 2	26 mm
TL	8 mm
H	32 mm

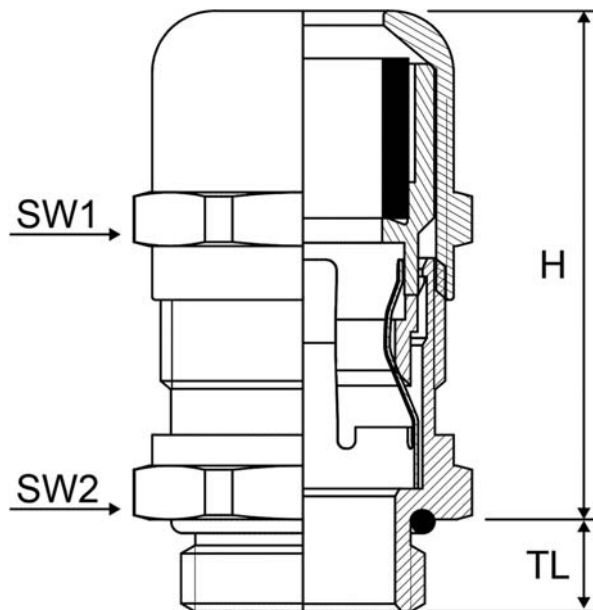
Construction

Description	LUTZE TOP-T EMC
Material	Brass nickel-plated
Material seal	CR chloroprene rubber
Material O-ring	NBR
Surface	nickel-plated

General

Note	Locknuts sold separately
------	--------------------------

Dimensions



20.08.2020 – Subject to technical modification

Part-No. FMM20-CV

USA: LUTZE INC.

13330 South Ridge Drive • Charlotte, NC 28273, USA
Tel. +1 (704) 504-0222 • Fax +1 (704) 504-0223
www.lutze.com • info@lutze.com

United Kingdom: LÜTZE Ltd.

Unit 3, Sandy Hill Park
Sandy Way, Amington • GB-Tamworth, Staffs B77 4DU
Tel. +44 (0)1827 31333-0 • Fax +44 (0)1827 31333-2
www.lutze.com • sales.gb@lutze.co.uk



SYSTEMATIC TECHNOLOGY

Technical data sheet -

Symbols



20.08.2020 – Subject to technical modification

Part-No. FMM20-CV

USA: LUTZE INC.

13330 South Ridge Drive • Charlotte, NC 28273, USA

Tel. +1 (704) 504-0222 • Fax +1 (704) 504-0223

www.lutze.com • info@lutze.com

United Kingdom: LÜTZE Ltd.

Unit 3, Sandy Hill Park

Sandy Way, Amington • GB-Tamworth, Staffs B77 4DU

Tel. +44 (0)1827 31333-0 • Fax +44 (0)1827 31333-2

www.lutze.com • sales.gb@lutze.co.uk



SYSTEMATIC TECHNOLOGY