

S7-3/6 SERIES INSTRUCTION MANUAL

CONTROLS

OUTPUT LED

The yellow LED on indicates that the NO output is closed.

READY/ERROR LED

The permanently green LED indicates that the received signal guarantees a stable output status.

The alternative green and red blinking of the LED indicates a wrong setting condition.

Please refer to the "SETTING" paragraph for correct for detection or setup procedure indications.

SET PUSHBUTTON

A long pressure on the pushbutton activates the self-setting procedure. The REMOTE input allows the external SET control.

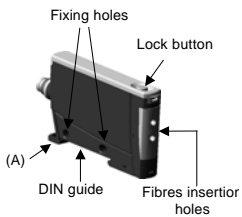
INSTALLATION

The transparent command protection cover rotates more than 130° in order to have an easy access.

It can be removed opening it completely and pulling it slightly, with a slight pression it can be replaced back.

Mount the sensor on a DIN rail or using to fixing holes and screws (M3x20 or longer).

For mounting on DIN rail, insert first part (A).



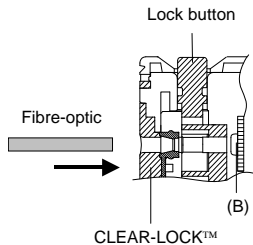
Installation of the fibre-optics:

Press the lock pushbutton and keep it pressed until all the fibres has been completely inserted.

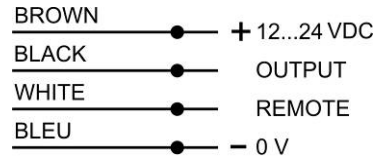
Insert the fibres in the corresponding holes as described in the dimension drawing.

The transparent CLEAR-LOCK™ fixing block allows to easily check that the fibres are correctly inserted.

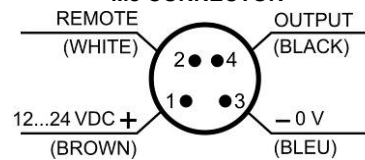
The insertion resistance is due to the O-ring seal; please insert the fibres for about 6mm deeper until they touch the photoelements (B).



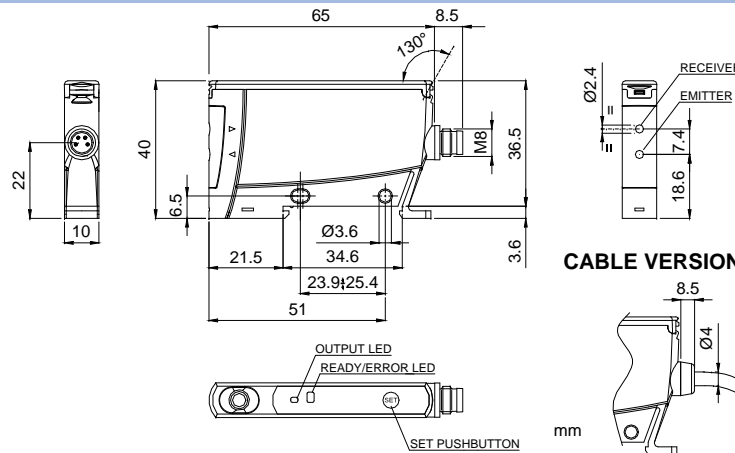
CONNECTIONS



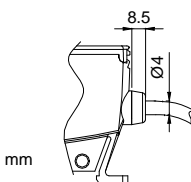
M8 CONNECTOR



DIMENSIONS



CABLE VERSION



TECHNICAL DATA

Power supply:	12 ... 24 Vdc ±10% (reverse polarity protection)
Ripple:	2 Vpp max.
Consumption (output current excluded):	40 mA
Outputs:	NPN (S7-x-N) or PNP (S7-x-P)
Output current:	100 mA max. at 25°C derating -2mA/°C
Output saturation voltage:	1.2 V max.
Response time:	500 µs max.
Indicators:	OUTPUT LED (YELLOW) and READY/ERROR LED (GREEN/RED)
Setting:	1 SET pushbutton
Data retention:	non volatile EEPROM memory
Operating temperature:	-10 ... 55 °C
Storage temperature:	-25 ... 70 °C
Electrical protection:	Class 2
Operating distance (typical values):	proximity (with OF-xx-ST fibre optic) 0 ... 100 mm through beam (with OF-xx-ST fibre optic) 0 ... 300 mm
Emission type:	red (670 nm)
Ambient light rejection:	according to EN 60947-5-2
Vibrations:	0.5 mm amplitude, 10 ... 55 Hz frequency, for every axis (EN60068-2-6)
Shock resistance:	11 ms (30 G) 6 shock for every axis (EN60068-2-27)
Housing material:	ABS
Mechanical protection:	IP65
Connections:	2 m Ø 4 mm cable (S7-3-x) / M8 4-pole M8 connector (S7-6-x)
Weight:	115 g, max. cable vers. / 30 g, max. connector vers.

DELAY FUNCTION

Press the SET pushbutton until the READ/ERROR LED turns off. Keep the SET pushbutton pressed until the READ/ERROR LED begins to blink green and release it after it turns off.

If the delay function *is not activated* the READY/ERROR LED begins to blink green with two fast pulses.

If the function *is activated* the READY/ERROR LED begins to blink green with four fast pulses.

Press the SET pushbutton to change the function status and check that the blinking mode has changed.

If the SET pushbutton is not pressed for at least ten seconds, the sensor will exit automatically from the delay function.

The delay function adds 20ms to the sensor's ON pulse duration.

SETTING

EASY TOUCH™

The sensor uses the patent-covered EASY TOUCH™ technology that allows a rapid and safe self-setting of the product.

Two different setting possibilities are available:

- **EASY TOUCH™**; a long pressure of the SET pushbutton allows self-setting.
- **FINE DETECTION**; to be used only in particularly critical conditions. This setting procedure is used only when the EASY TOUCH™ is not sufficient.

S7 setting

The EASY TOUCH™ foresees the LIGHT operating mode.

Thus using proximity fibres, the output is closed and the output LED is ON when the object is detected.

Using through beam fibres, the output is closed and the output LED is ON when the object does not interrupt the beam (i.e. the object is not detected).

- EASY TOUCH™ (standard detection)

Place the object to detect either in front of the proximity fibres within the operating range, or in the middle of the through beam fibres.

Press the SET pushbutton and keep the pushbutton pressed until the signalling LED turns green and the READY/ERROR LED turns OFF.

Release the SET pushbutton. The sensor is now ready to detect the object.

- Fine detection

This mode offers an improved detection precision. The sensor can function either in the DARK operating or in the LIGHT operating mode.

1) Place the object to detect in front of the proximity fibres within the operating distance, or in the middle of the through beam fibres.

Press the SET pushbutton and keep it pressed until the READY/ERROR LED turns ON.

Keep it pressed until the LED turns off and maintain the pressure until the signalling LED begins to blink green. The sensor is now ready for the second setting.

2) Remove the object to detect and press the SET pushbutton again until the READY/ERROR LED to turn green.

The sensor is now ready to detect very precisely the object.

If the READY/ERROR LED begins to blink red and green, the setting has failed, as the contrast is insufficient. Thus the setting procedure has to be repeated.

Following this setting procedure, the sensor functions in the LIGHT mode with proximity fibres and in the DARK mode with through beam fibres. To set the sensor in the DARK mode for proximity or LIGHT mode for through beam, invert the sequence given above.

The operative DARK/LIGHT mode is automatically selected by the sensor when is used as contrast sensor.

REMOTE FUNCTION

The REMOTE wire connected to +Vdc is equal to pressing the SET pushbutton. The **keyboard block** is activated if at the sensor powering the REMOTE wire is connected +Vdc, and thus the SET pushbutton is no longer active. To deactivate the **keyboard block** the sensor has to be turned off and then turned on with the REMOTE wire not connected.

DECLARATION OF CONFORMITY

We DATASENSOR SpA declare under our sole responsibility that these products are conform to the 2004/108/CE, 2006/95/CE Directives and successive amendments.

WARRANTY

DATASENSOR SpA warrants its products to be free from defects. DATASENSOR SpA will repair or replace, free of charge, any product found to be defective during the warranty period of 36 months from the manufacturing date.

This warranty does not cover damage or liability deriving from the improper application of DATASENSOR products.

DATASENSOR SpA Via Lavino 265
40050 Monte S. Pietro - Bologna - Italy
Tel: +39 051 6765611 Fax: +39 051 6759324

<http://www.datasensor.com> e-mail: info@datasensor.com



DATASENSOR SpA cares for the environment: 100% recycled paper. DATASENSOR SpA reserves the right to make modifications and improvements without prior notification.

CONTROLS

OUTPUT LED

The yellow LED on indicates that the N.O. (normally open) output is closed.

STABILITY LED

The green LED ON indicates that the received signal has a reserve greater than 30% compared to the output switching value.

TRIMMER

The trimmer 12 turns can be used to adjust sensitivity; the operating distance increases turning the trimmer clockwise.

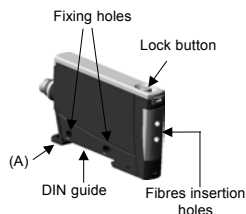
INSTALLATION

The transparent command protection cover rotates more than 130° in order to have an easy access.

It can be removed opening it completely and pulling it slightly, with a slight pression it can be replaced back.

Mount the sensor on a DIN rail or using to fixing holes and screws (M3x20 or longer).

For mounting on DIN rail, insert first part (A).



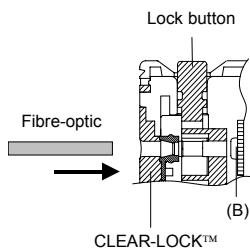
Installation of the fibre-optics:

Press the lock pushbutton and keep it pressed until all the fibres has been completely inserted.

Insert the fibres in the corresponding holes as described in the dimension drawing.

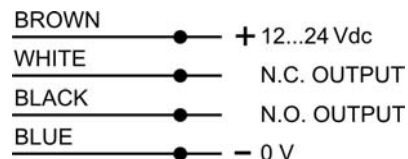
The transparent CLEAR-LOCK™ fixing block allows to easily check that the fibres are correctly inserted.

The insertion resistance is due to the O-ring seal; please insert the fibres for about 6mm deeper until they touch the photoelements (B).

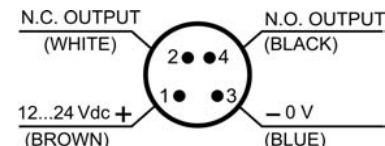


CONNECTIONS

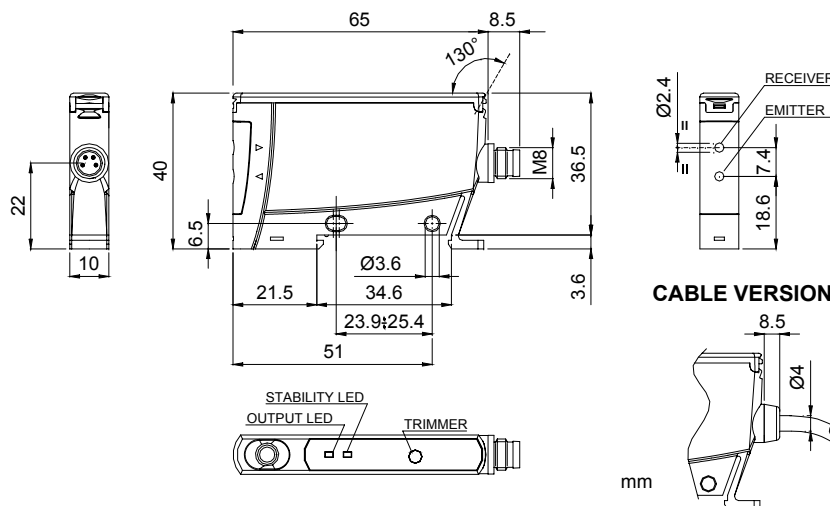
Cable version



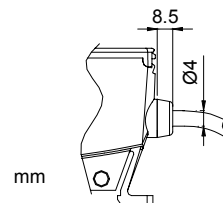
M8 connector



DIMENSIONS



CABLE VERSION



TECHNICAL DATA

Power supply:	12 ... 24 Vdc ±10% (reverse polarity protection)
Ripple:	2 Vpp max.
Consumption (output current excluded):	30 mA max. (no load)
Outputs:	NPN (S7-x-N) or PNP (S7-x-P)
Output current:	100 mA max.
Output saturation voltage:	1.2 V max.
Response time:	500 µs max.
Indicators:	OUTPUT LED (YELLOW) and READY/ERROR LED (GREEN/RED)
Setting:	12 multiturn trimmer
Operating temperature:	-10 ... 55 °C
Storage temperature:	-25 ... 70 °C
Insulation resistance	between live and dead parts: 20MΩ (minimum, with 500Vdc)
Dielectric strength:	between live and dead parts: AC 500V (50Hz), 1 minute
Operating distance (typical values):	proximity (with OF-xx-ST fibre optic) 0 ... 100 mm through beam (with OF-xx-ST fibre optic) 0 ... 300 mm
Emission type:	red (670 nm)
Ambient light rejection:	according to EN 60947-5-2
Vibrations:	0.5 mm amplitude, 10 ... 55 Hz frequency, for every axis (EN60068-2-6)
Shock resistance:	11 ms (30 G) 6 shock for every axis (EN60068-2-27)
Housing material:	ABS
Mechanical protection:	IP60
Connections:	2 m Ø 4 mm cable (S7-7-x) / M8 4-pole M8 connector (S7-8-x)
Weight:	115 g. max. cable vers. / 30 g. max. connector vers.

SETTING

Setting with OF-43 (P/R fibre-optics)

Position the sensors (fibre terminals) on opposite sides.

Turn the sensitivity trimmer to maximum: moving the sensors both vertically and horizontally and determine the turning on and off points of the yellow LED (OUT) and then fix the sensors in the middle of the points defined.

Optimum operation is obtained when both LEDs are ON.

If necessary, reduce sensitivity using the trimmer, in order to detect very small targets. In order to improve alignment, repeat the procedure detailed above whilst progressively reducing the sensitivity.

Setting with OF-42 (proximity fibre)

Turn the sensitivity trimmer to minimum: the green LED is ON, the yellow LED is OFF.

Position the target to detect in front of the sensor or of the fibre terminals. Turn the sensitivity trimmer clockwise until the yellow LED turns ON.

Remove the target, the yellow LED turns OFF.

DECLARATION OF CONFORMITY

We DATASENSOR SpA declare under our sole responsibility that these products are conform to the 2004/108/CE, 2006/95/CE Directives and successive amendments.



WARRANTY

DATASENSOR SpA warrants its products to be free from defects. DATASENSOR SpA will repair or replace, free of charge, any product found to be defective during the warranty period of 36 months from the manufacturing date.

This warranty does not cover damage or liability deriving from the improper application of DATASENSOR products.

DATASENSOR SpA Via Lavino 265
40050 Monte S. Pietro - Bologna - Italy
Tel: +39 051 6765611 Fax: +39 051 6759324
http://www.datasensor.com e-mail: info@datasensor.com



DATASENSOR SpA cares for the environment: 100% recycled paper. DATASENSOR SpA reserves the right to make modifications and improvements without prior notification.