

- · · Detection type
 - T: Through beam
 - P: Polarized retro reflective
 - D: Diffuse reflective
 - N: Small beam reflective
 - B: Background suppression

◇ · · Output

N: NPN / P: PNP

◎ · · Sensing distance range

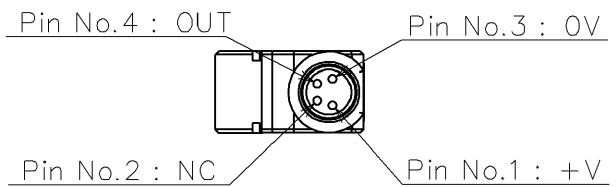
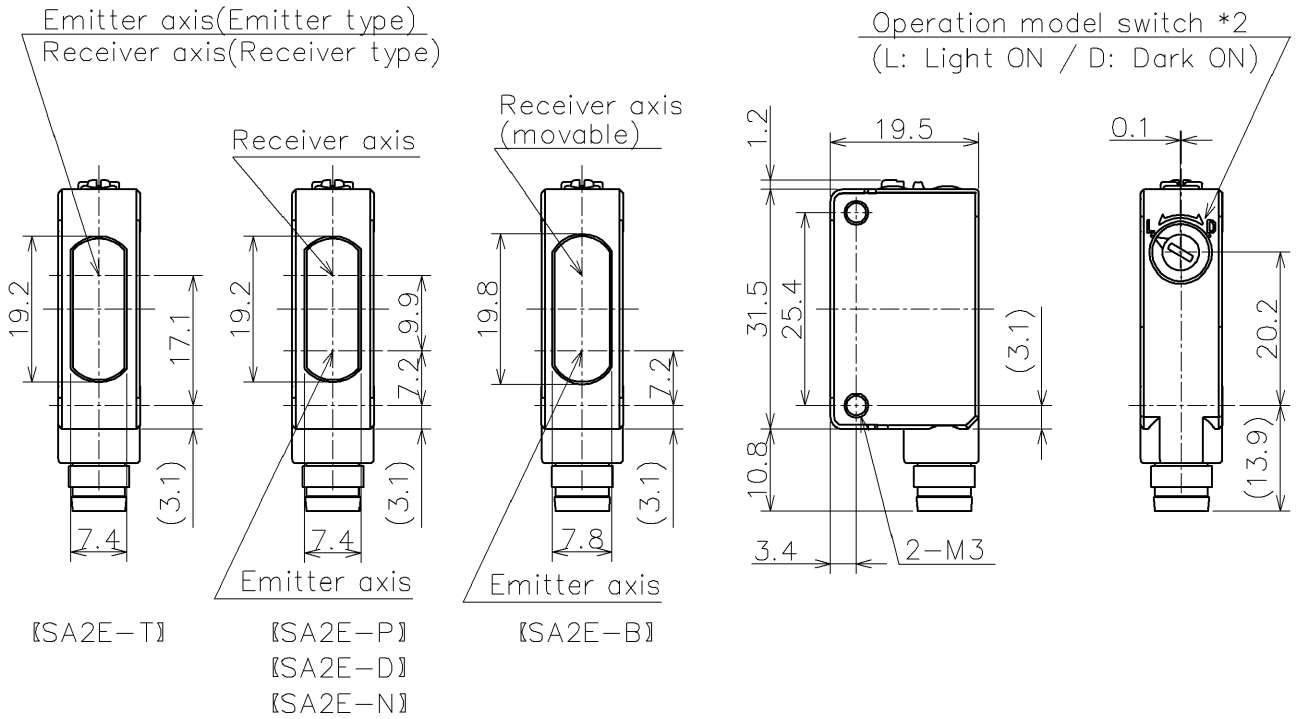
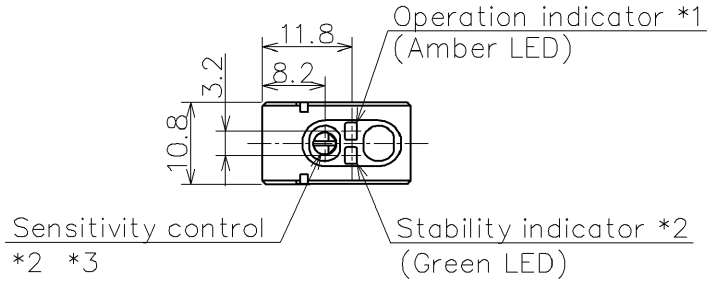
(Diffuse reflective only)

L: Sn 1m

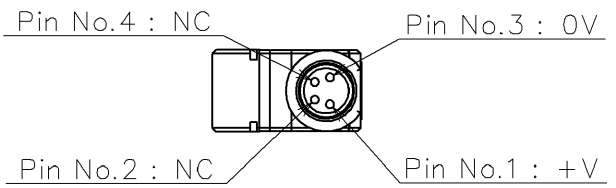
M: Sn 0.5m

S: Sn 0.1m

- *1 Power LED(Green) for SA2E-T Emitter type
- *2 Not incorporated on SA2E-T Emitter type
- *3 Distance control(7-turn endless) for SA2E-B



* Excluding SA2E-T Emitter type



【SA2E-T Emitter type】

Product Name: SA2E PHOTOELECTRIC SWITCH

Type Number: SA2E-□◇3(◎)C

Approved by	K.Yasukawa	May.18 ,2022	Dim.: mm	Outside View
Checked by	S.Okamoto	May.18 ,2022	Drawing No.	
Drawn by	E.Watai	May.18 ,2022	MA4-G00287C	