

Selection table for safety switch TK with guard locking (without failsafe locking mechanism)

Release feature					
HE	Mechanical release on the switch head				
Guard locking pin					
	A	C	Right		
			Left		
Connection					
			M	Thread M20x1.5 for cable gland	
			SM8	Plug connector M12, 8-pin	
Release feature HE	Guard locking pin		Connection		Page
	A	C	M	SM8	
●	●		●		86
●		●	●	●	87

Safety switch TK with guard locking (without failsafe locking mechanism)



- ▶ Mounting on plastic housing TP with actuating head and guard locking pin made of metal
- ▶ High locking forces of well above 5,000 N
- ▶ Mechanical release on the switch head
- ▶ Actuating element for auxiliary shut-down on front
- ▶ Cable entry M20 x 1.5



Function

Guard locking is by movement of the locking pin, which is inserted in a "recess."

Mechanical release

This releases the guard locking after operation with a triangular key (DIN 22417). For triangular key see accessories, page 108.

auxiliary shutdown feature

When actuated, positively driven contacts 21-22 or 41-42 are opened. The guard remains locked. The auxiliary shutdown feature must be sealed to prevent tampering (for example with sealing lacquer).

Solenoid operating voltage

- ▶ AC/DC 24 V +10%, -15%
- ▶ AC 230 V +10%, -15%

Guard locking types

TK1 Closed-circuit current principle, guard locking by spring force. Release by applying voltage to the guard locking solenoid.

TK2 Open-circuit current principle, guard locking by applying voltage to the guard locking solenoid. Release by spring force.

Switching elements

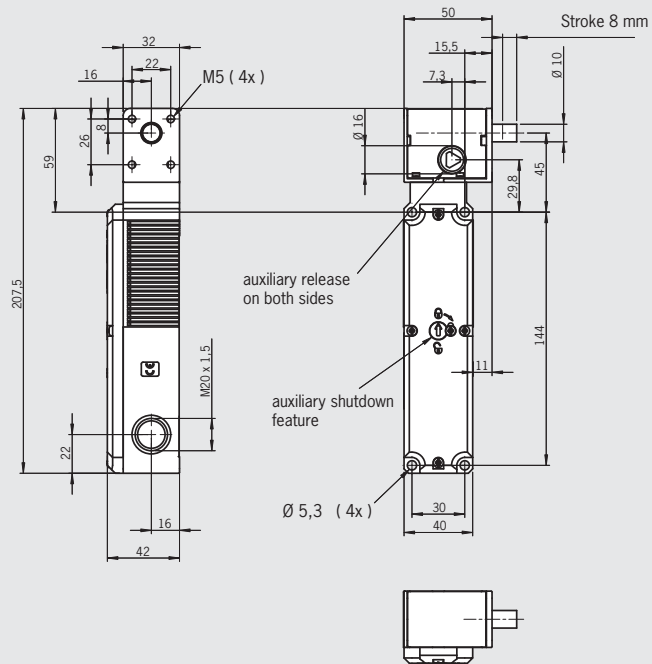
- ▶ **528** Slow-action switching contact
1 NC ⊕ + 1 NO
- ▶ **4131** Slow-action switching contact
2 NC ⊕ + 2 NO

Ordering table

Series	Connection	Guard locking	Switching element	Version	Solenoid operating voltage
					AC/DC 24 V
TK	M Cable entry 3 x M20 x 1.5	1 Mechanical	528 1 NC ⊕ + 1 NO	A Guard locking pin right	094652 TK1-528AB024M
			4131 2 NC ⊕ + 2 NO	A Guard locking pin right	099686 TK1-4131AB024M
		2 Electrical	4131 2 NC ⊕ + 2 NO	A Guard locking pin right	099690 TK2-4131AB024M

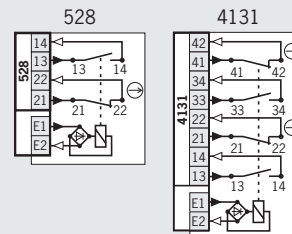
Cable entry M20 x 1.5
Guard locking pin right

Dimension drawing



For cable glands, see page 108

Wiring diagrams switch locked



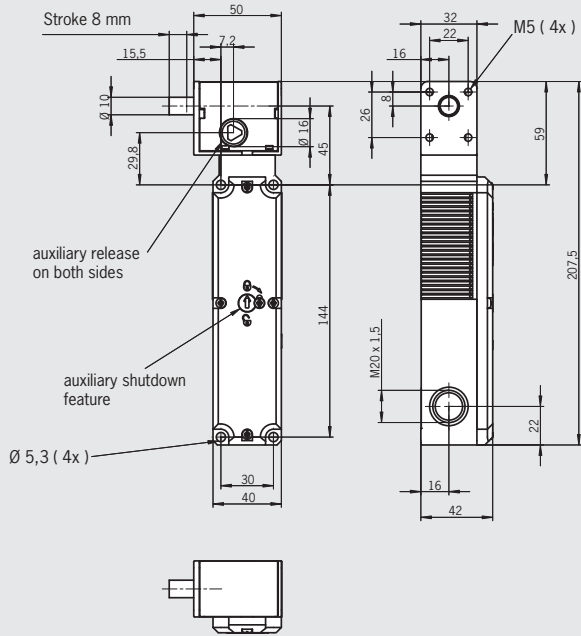
For switching functions, see technical data on page 150



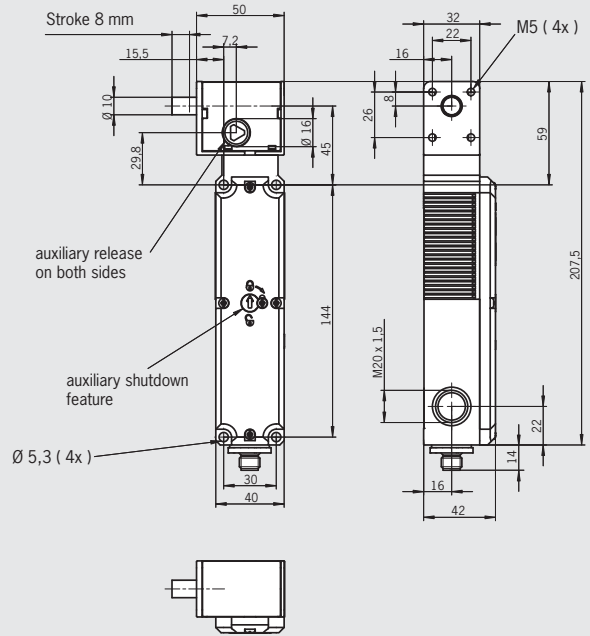
Cable entry M20 x 1.5 Guard locking pin left

Plug connector SM8 Plug M12, 8-pin, guard locking pin left

Dimension drawing

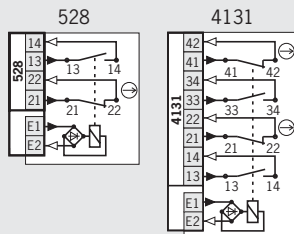


For cable glands, see page 108

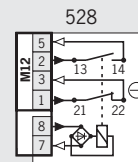


For plug connectors, see page 103

Wiring diagrams switch locked



For switching functions, see technical data on page 150



For switching functions, see technical data on page 150

Ordering table

Series	Connection	Guard locking	Switching element	Version	Solenoid operating voltage	
					AC/DC 24 V	AC 230 V
TK	M Cable entry 3 x M20 x 1.5	1 Mechanical	528 1 NC ⊕ + 1 NO	C Guard locking pin left	094192 TK1-528CB024M	100016 TK1-528CB230M
			4131 2 NC ⊕ + 2 NO	C Guard locking pin left	099687 TK1-4131CB024M	-
	SM8 Plug connector M12	1 Mechanical	4131 2 NC ⊕ + 2 NO	C Guard locking pin left	099691 TK2-4131CB024M	-
			528 1 NC ⊕ + 1 NO	C Guard locking pin left	122828 TK1-528CB024SM8	-

1) Only with solenoid operating voltage AC/DC 24 V

