

Safety switch NZ.WO with rounded plunger



- ▶ **Version B** according to EN 50041 (hardened)
- ▶ **LED optional**
- ▶ **Plug connector optional**



Approach direction



Horizontal and vertical

LED function display (optional)

A function display is available for the following voltage ranges:

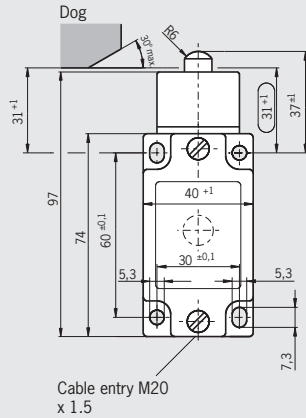
- ▶ AC/DC 12-60 V red or yellow

Switching elements (see also page 13/14)

- ▶ **511** Snap-action switching contact
1 NC ⊕ + 1 NO
- ▶ **528H** Slow-action switching contact
1 NC ⊕ + 1 NO
- ▶ **538H** Slow-action switching contact
2 NC ⊕
- ▶ **2121H** Slow-action switching contact
4 NC ⊕
- ▶ **2131H** Slow-action switching contact
3 NC ⊕ + 1 NO
- ▶ **3131H** Slow-action switching contact
2 NC ⊕ + 2 NO

Cable entry M20 x 1.5

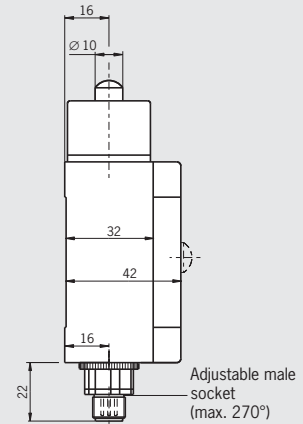
Dimension drawings



For cable glands, see page 132

Plug connector SVM5

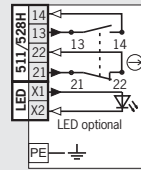
M12 plug, 5-pin



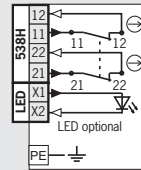
For mating connectors, see page 126

Wiring diagrams Switch not actuated

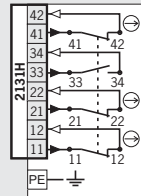
511/528H



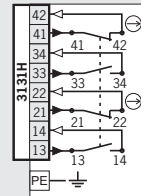
538H



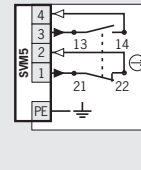
2131H



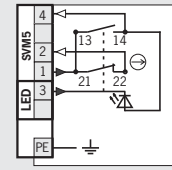
3131H



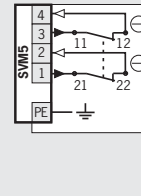
511/528H



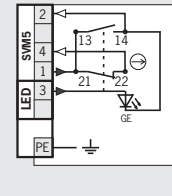
511/528H with LED



538H



511...C2273



Ordering table

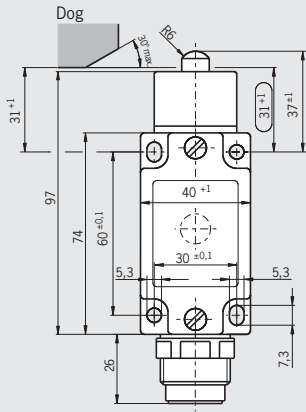
Series	Actuator	Con- nection	Switching element	Version	Function display		
					Without LED	12-60 V red LED	12-60 V yellow LED
NZ	WO rounded plunger	1 Cable entry M20 x 1.5	511 ¹⁾ 1 NC ⊕ + 1 NO		088611 ¹⁾ NZ1WO-511-M	089057 ¹⁾ NZ1WO-511L060-M	089058 ¹⁾ NZ1WO-511L060GE-M
			528H 1 NC ⊕ + 1 NO		089624 NZ1WO-528-M	089078 NZ1WO-528L060-M	-
			538H 2 NC ⊕		090878 NZ1WO-538-M	089076 NZ1WO-538L060-M	-
			2131H 3 NC ⊕ + 1 NO		089629 NZ1WO-2131-M	-	-
			3131H 2 NC ⊕ + 2 NO		089626 NZ1WO-3131-M	-	-
			511 1 NC ⊕ + 1 NO		089014 NZ2WO-511SVM5	-	098652 NZ2WO-511SVM5L060GE
		2 Plug con- nector SVM5 (M12 plug)	511 1 NC ⊕ + 1 NO	C2273 Alternative wiring	-	-	105851 NZ2WO-511SVM5L060GEC2273
			528H 1 NC ⊕ + 1 NO		090923 NZ2WO-528SVM5	-	-
			538H 2 NC ⊕		090924 NZ2WO-538SVM5	-	-

1) No DGVV approval for switching element 511



Plug connector SR6 6-pin + PE

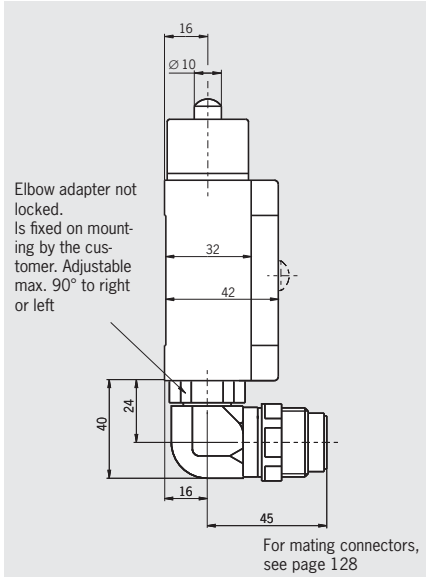
Dimension drawings



For mating connectors, see page 128



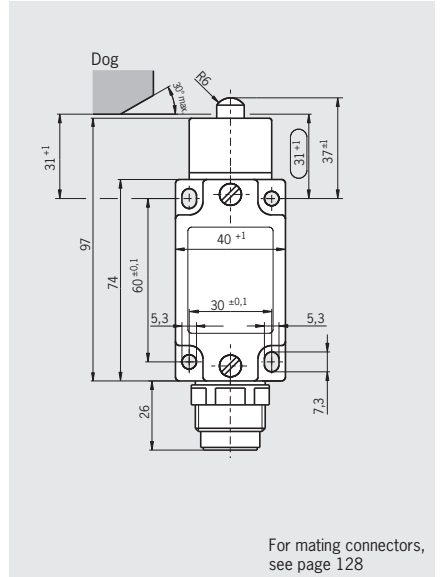
Plug connector SR6 angled 6-pin + PE



For mating connectors, see page 128

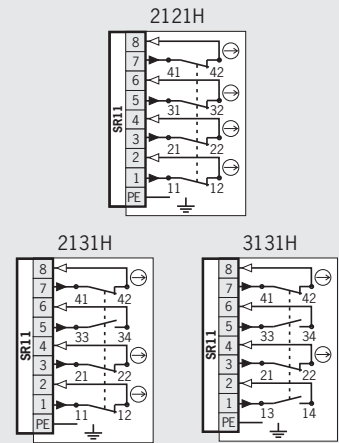
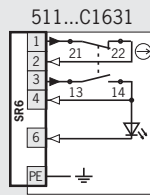
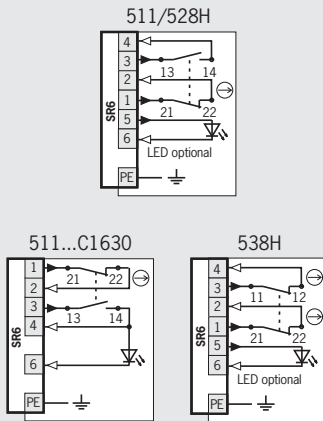


Plug connector SR11 11-pin + PE



For mating connectors, see page 128

Wiring diagrams Switch not actuated



Ordering table

Series	Actuator	Con- nection	Switching element	Version	Function display		
					Without LED	12-60 V red LED	12-60 V yellow LED
NZ	WO rounded plunger	2 Plug con- nector SR6	511 ¹⁾ 1 NC ⊕ + 1 NO		090909 ¹⁾ NZ2WO-511	091280 ¹⁾ NZ2WO-511L060	-
			511 ¹⁾ 1 NC ⊕ + 1 NO	C1630 Alternative wiring	-	-	059481 ¹⁾ NZ2WO-511L060C1630
			528H 1 NC ⊕ + 1 NO		090910 NZ2WO-528	091279 NZ2WO-528L060	-
			538H 2 NC ⊖		090911 NZ2WO-538	087558 NZ2WO-538L060	-
		2 Plug con- nector SR6 Angled	511 1 NC ⊕ + 1 NO	C1631 Alternative wiring	-	-	059482 NZ2WO-511L060C1631
		2 Plug con- nector SR11	2121H 4 NC ⊖		090976 NZ2WO-2121	-	-
			2131H 3 NC ⊕ + 1 NO		090912 NZ2WO-2131	-	-
			3131H 2 NC ⊕ + 2 NO		090913 NZ2WO-3131	-	-

1) No DGUV approval for switching element 511