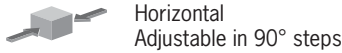


Safety switch NZ.RL with extended roller plunger

- ▶ Steel roller \varnothing 18 mm
- ▶ With grooved ball bearing \varnothing 16 mm optional
- ▶ LED optional
- ▶ Plug connector optional



Approach direction



LED function display (optional)

A function display is available for the following voltage ranges:

- ▶ AC/DC 12-60 V red

Switching elements (see also page 13/14)

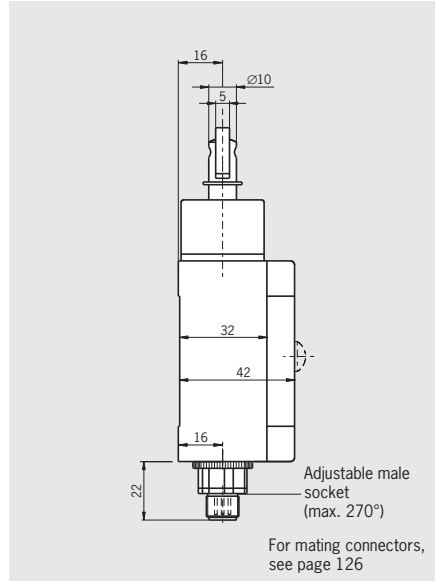
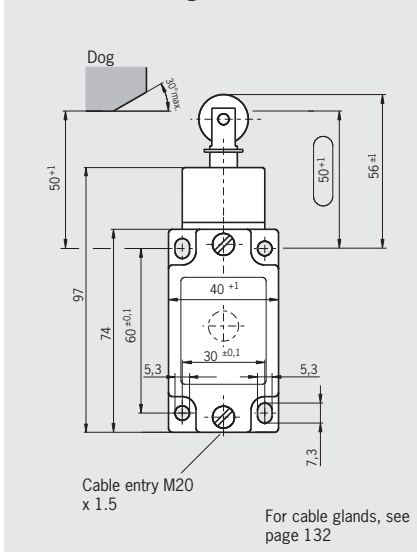
- ▶ **511** Snap-action switching contact
1 NC \ominus + 1 NO
- ▶ **528H** Slow-action switching contact
1 NC \ominus + 1 NO
- ▶ **538H** Slow-action switching contact
2 NC \ominus
- ▶ **2121H** Slow-action switching contact
4 NC \ominus
- ▶ **2131H** Slow-action switching contact
3 NC \ominus + 1 NO
- ▶ **3131H** Slow-action switching contact
2 NC \ominus + 2 NO



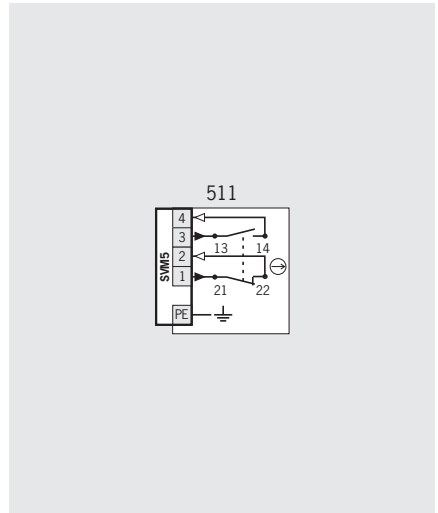
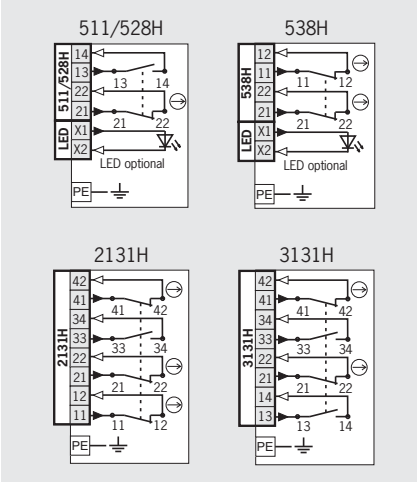
Cable entry M20 x 1.5

Plug connector SVM5 M12 plug, 5-pin

Dimension drawings



Wiring diagrams Switch not actuated



Ordering table

Series	Actuator	Con- nection	Switching element	Function display	
				Without LED	12-60 V red LED
NZ	RL Roller plunger	1 Cable entry M20 x 1.5	511 ¹⁾ 1 NC \ominus + 1 NO	088614 ¹⁾ NZ1RL-511-M	088996 ¹⁾ NZ1RL-511L060-M
			528H 1 NC \ominus + 1 NO	090937 NZ1RL-528-M	090938 NZ1RL-528L060-M
			538H 2 NC \ominus	090939 NZ1RL-538-M	090940 NZ1RL-538L060-M
			2131H 3 NC \ominus + 1 NO	090941 NZ1RL-2131-M	-
			3131H 2 NC \ominus + 2 NO	090942 NZ1RL-3131-M	-
		2 Plug con- nector SVM5 (M12 plug)	511 ¹⁾ 1 NC \ominus + 1 NO	090028 ¹⁾ NZ2RL-511SVM5	-

1) No DGVV approval for switching element 511

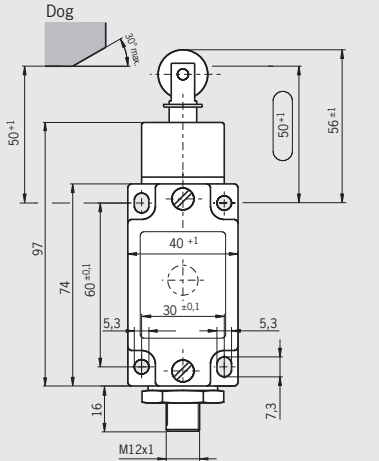
Please turn over

For technical data, see page 163



Plug connector MDC-5
M12 plug, 5-pin

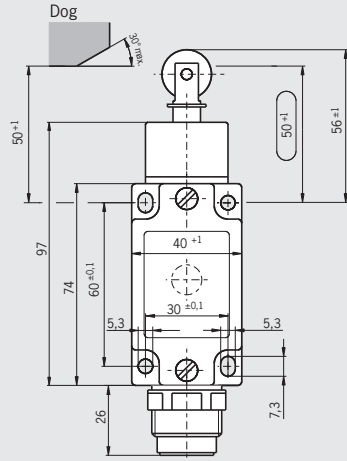
Dimension drawings



For mating connectors, see page 126



Plug connector SR6
6-pin + PE



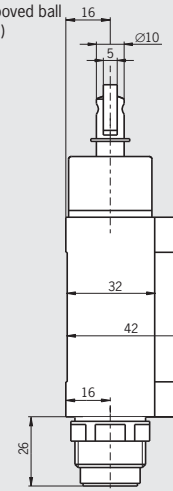
For mating connectors, see page 128



Plug connector SR11
11-pin + PE

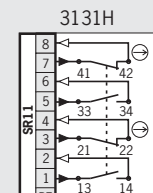
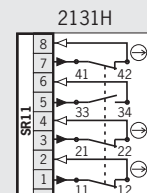
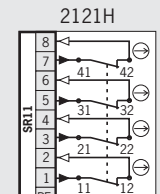
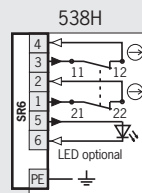
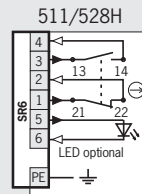
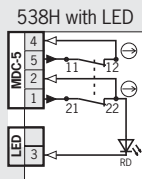
Notice:

Roller diameter 16 mm on version with grooved ball bearing (C1831)



For mating connectors, see page 128

Wiring diagrams Switch not actuated



Ordering table

Series	Actuator	Con- nection	Switching element	Version	Function display	
					Without LED	12-60 V red LED
NZ	RL Roller plunger	2 Plug con- nector MDC-5 (M12 plug)	538H 2 NC ⊕	Without PE	-	105989 NZ2RL-538L0605MDC
			511 ¹⁾ 1 NC ⊕ + 1 NO		090025 ¹⁾ NZ2RL-511	-
		2 Plug con- nector SR6	528H 1 NC ⊕ + 1 NO		-	091282 NZ2RL-528L060
			538H 2 NC ⊕		-	091278 NZ2RL-538L060
		2 Plug con- nector SR11	2121H 4 NC ⊕		090975 NZ2RL-2121	-
			2121H 4 NC ⊕	C1831 Grooved ball bearing	095806 ²⁾ NZ2RL-2121C1831	-
			2131H 3 NC ⊕ + 1 NO		090958 NZ2RL-2131	-
			3131H 2 NC ⊕ + 2 NO		090959 NZ2RL-3131	-

1) DGUV approval not for switching element 511 2) No DGUV approval