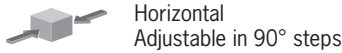


Safety switch NZ.RG with roller plunger

- ▶ Version C acc. to EN 50041 NZ.RS (plastic roller \varnothing 12 mm)
- ▶ LED optional
- ▶ Plug connector optional



Approach direction



LED function display (optional)

A function display is available for the following voltage ranges:

- ▶ DC 24 V \pm 10% yellow
- ▶ AC/DC 12-60 V red or yellow
- ▶ AC 230 V \pm 15% red

Switching elements (see also page 13/14)

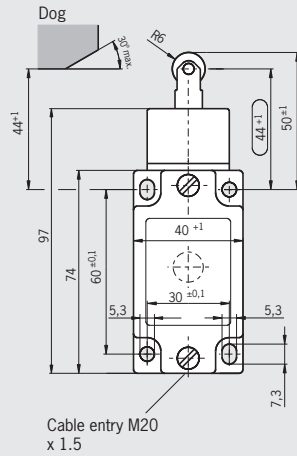
- ▶ **511** Snap-action switching contact
1 NC \ominus + 1 NO
- ▶ **528H** Slow-action switching contact
1 NC \ominus + 1 NO
- ▶ **538H** Slow-action switching contact
2 NC \ominus
- ▶ **2131H** Slow-action switching contact
3 NC \ominus + 1 NO
- ▶ **3131H** Slow-action switching contact
2 NC \ominus + 2 NO



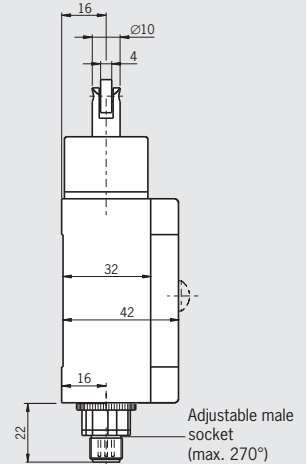
Cable entry M20 x 1.5

Plug connector SVM5 M12 plug, 5-pin

Dimension drawings

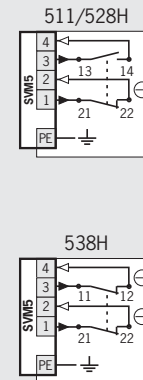
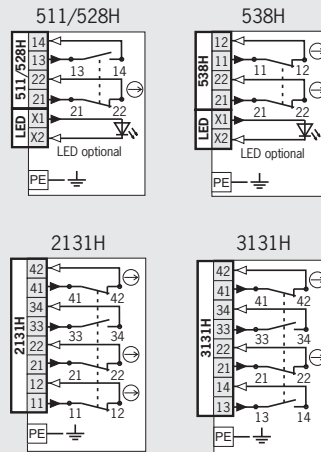


For cable glands, see page 132



For mating connectors, see page 126

Wiring diagrams Switch not actuated



Ordering table

Series	Actuator	Con- nection	Switching element	Function display	
				Without LED	12-60 V red LED
NZ	RG Roller plunger	1 Cable entry M20 x 1.5	511 ¹⁾ 1 NC \ominus + 1 NO	088605 ¹⁾ NZ1RG-511-M	089052 ¹⁾ NZ1RG-511L060-M
			528H 1 NC \ominus + 1 NO	090932 NZ1RG-528-M	090008 NZ1RG-528L060-M
			538H 2 NC \ominus	090933 NZ1RG-538-M	090009 NZ1RG-538L060-M
			2131H 3 NC \ominus + 1 NO	090934 NZ1RG-2131-M	-
			3131H 2 NC \ominus + 2 NO	090935 NZ1RG-3131-M	-
		2 Plug con- nector SVM5 (M12 plug)	511 ¹⁾ 1 NC \ominus + 1 NO	090026 ¹⁾ NZ2RG-511SVM5	-
			528H 1 NC \ominus + 1 NO	090961 NZ2RG-528SVM5	-
			538H 2 NC \ominus	090962 NZ2RG-538SVM5	-

1) No DGVU approval for switching element 511

Please turn over

For technical data, see page 163



Plug connector SM8
M12 plug, 8-pin



Plug connector SR6
6-pin + PE

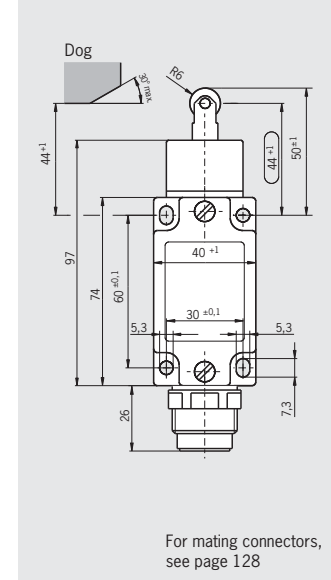
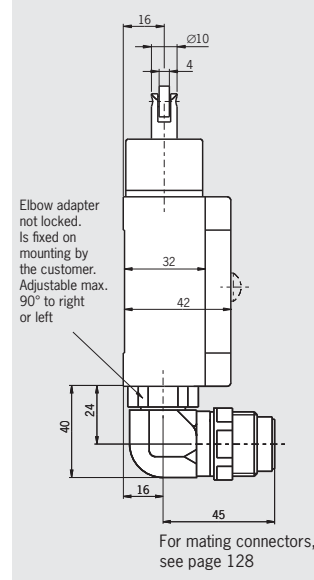
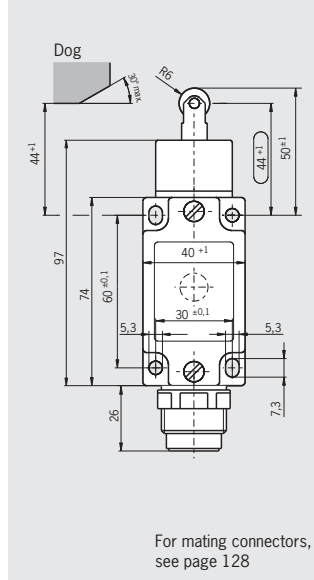
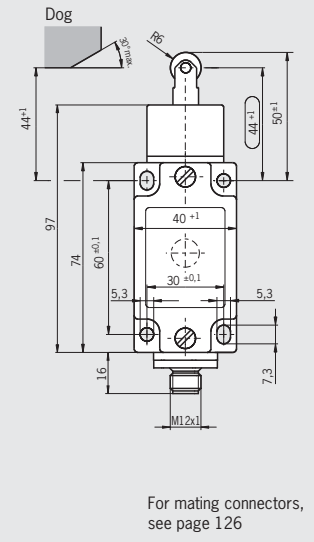


Plug connector SR6
Angled 6-pin + PE

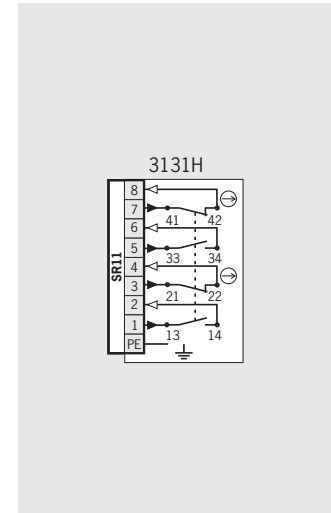
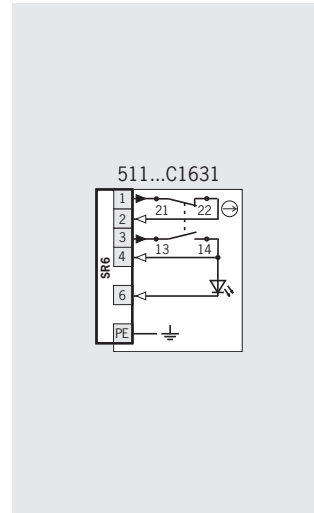
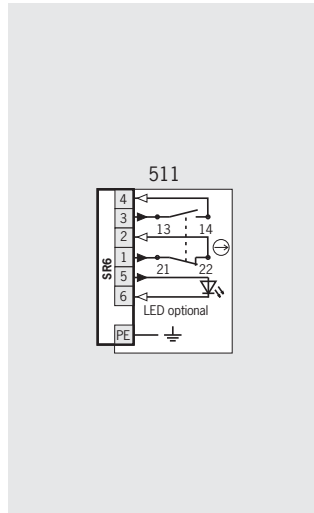
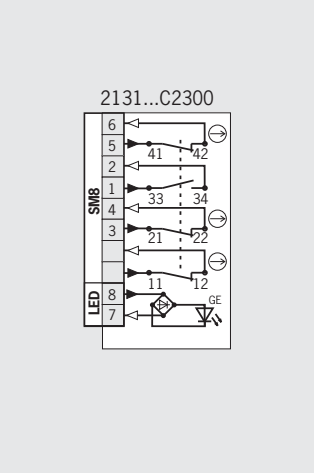


Plug connector SR11
11-pin + PE

Dimension drawings



Wiring diagrams Switch not actuated



Ordering table

Series	Actuator	Con- nection	Switching element	Version	Function display			
					Without LED	24 V LED yellow	12-60 V red LED	12-60 V yellow LED
NZ	RG Roller plunger	2 Plug con- nector SM8 (M12 plug)	2131H 3 NC ⊕ + 1 NO	C2300 Alternative wiring	-	109016 NZ2RG-2131L024GEC2300	-	-
		2 Plug con- nector SR6	511 1 NC ⊕ + 1 NO		090032 NZ2RG-511	-	091284 NZ2RG-511L060	-
		2 Plug con- nector SR6 Angled	511 1 NC ⊕ + 1 NO	C1631 Alternative wiring	-	-	-	091348 NZ2RG-511L060C1631
		2 Plug con- nector SR11	3131H 2 NC ⊕ + 2 NO		090948 NZ2RG-3131	-	-	-

1) No DGUV approval for switching element 511