

Safety switch NZ.HB with roller lever arm



- ▶ **Version A acc. to EN 50041**
(plastic roller $\varnothing 18$)
- ▶ **LED optional**
- ▶ **Plug connector optional**



Approach direction



Horizontal

Switch head and lever arm can be adjusted in 90° steps.

switching direction

Right, left or both sides (see page 9).

LED function display (optional)

A function display is available for the following voltage ranges:

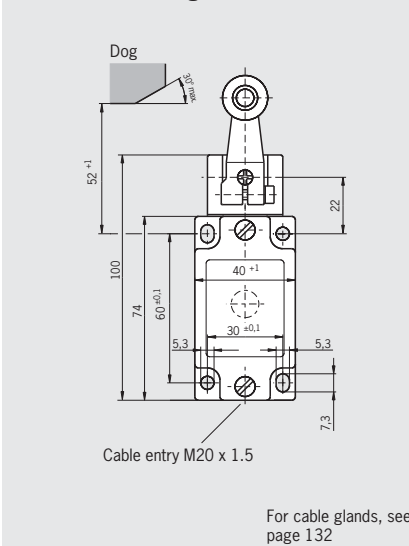
- ▶ AC/DC 12-60 V red or yellow

Switching elements (see also page 13/14)

- ▶ **511** Snap-action switching contact
1 NC \ominus + 1 NO
- ▶ **528H** Slow-action switching contact
1 NC \ominus + 1 NO
- ▶ **538H** Slow-action switching contact
2 NC \ominus
- ▶ **2131H** Slow-action switching contact
3 NC \ominus + 1 NO
- ▶ **3131H** Slow-action switching contact
2 NC \ominus + 2 NO

Cable entry M20 x 1.5

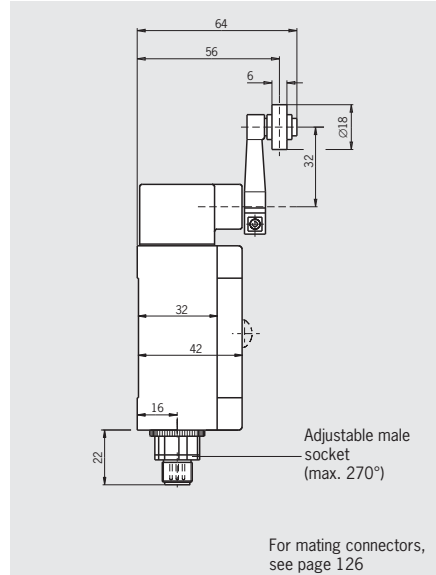
Dimension drawings



For cable glands, see page 132

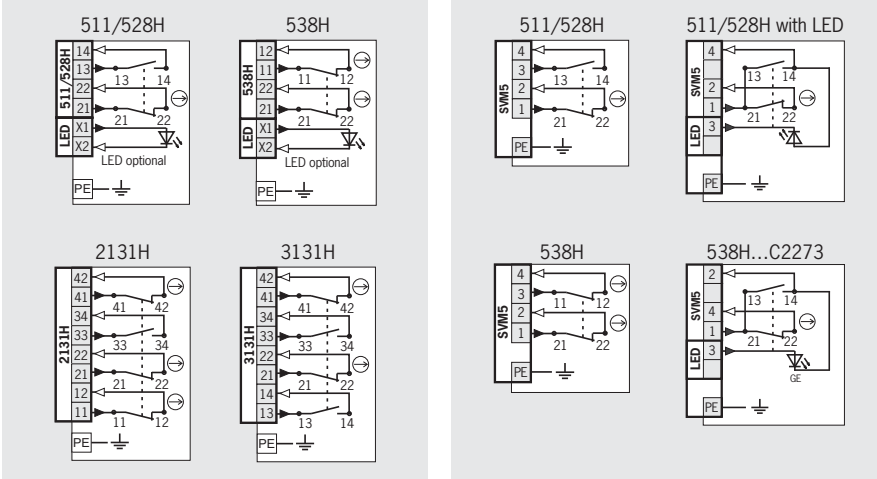
Plug connector SVM5

M12 plug, 5-pin



For mating connectors, see page 126

Wiring diagrams Switch not actuated



Ordering table

Series	Actuator	Con- nection	Switching element	Version	Function display		
					Without LED	12-60 V red LED	12-60 V yellow LED
NZ	HB Lever arm	1 Cable entry M20 x 1.5	511 ¹⁾ 1 NC \ominus + 1 NO		079952 ¹⁾ NZ1HB-511-M	090039 ¹⁾ NZ1HB-511L060-M	086525 ¹⁾ NZ1HB-511L060GE-M
			528H 1 NC \ominus + 1 NO		088199 NZ1HB-528-M	090965 NZ1HB-528L060-M	086527 NZ1HB-528L060GE-M
			538H 2 NC \ominus		090966 NZ1HB-538-M	090967 NZ1HB-538L060-M	-
			2131H 3 NC \ominus + 1 NO		090968 NZ1HB-2131-M	-	-
			3131H 2 NC \ominus + 2 NO		090969 NZ1HB-3131-M	-	-
		2 Plug con- nector SVM5 (M12 plug)	511 ¹⁾ 1 NC \ominus + 1 NO		090861 ¹⁾ NZ2HB-511SVM5	-	098649 ¹⁾ NZ2HB-511SVM5L060GE
			511 ¹⁾ 1 NC \ominus + 1 NO	C2273 Alternative wiring	-	-	105839 ¹⁾ NZ2HB-511SVM5L060GEC2273
			528H 1 NC \ominus + 1 NO		090864 NZ2HB-528SVM5	-	-
			538H 2 NC \ominus		090862 NZ2HB-538SVM5	-	-

1) No DGVV approval for switching element 511



Plug connector SR6
6-pin + PE



Plug connector SR6 angled
6-pin + PE

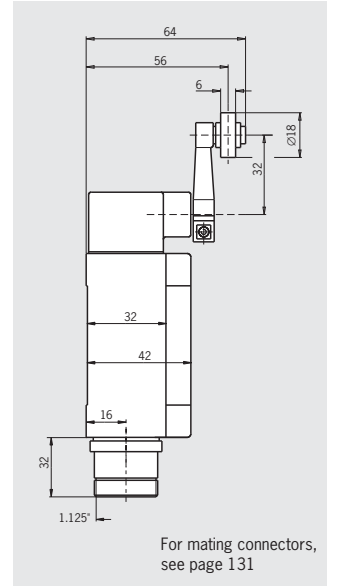
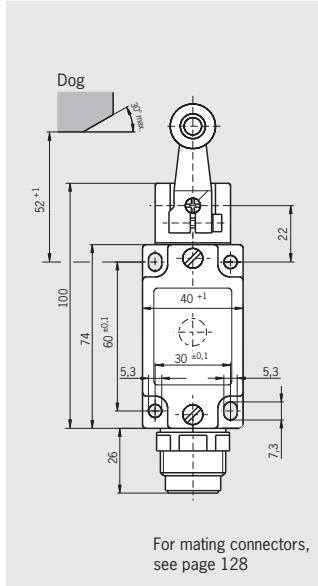
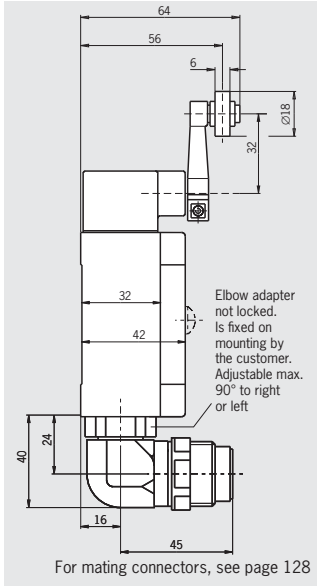
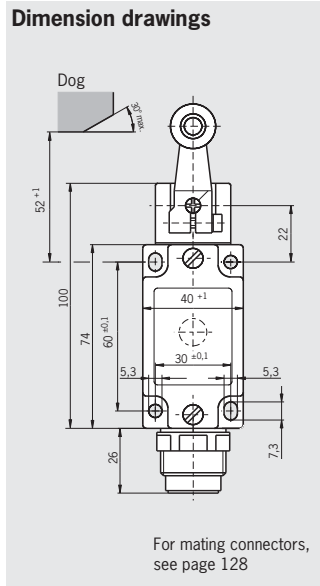


Plug connector SR11
11-pin + PE

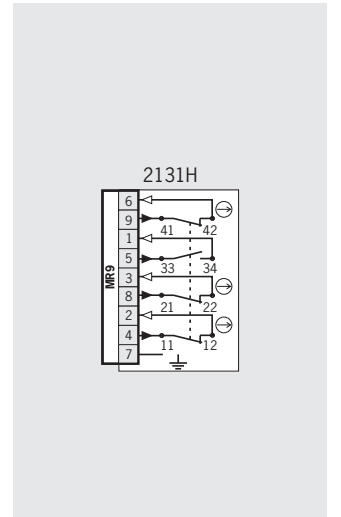
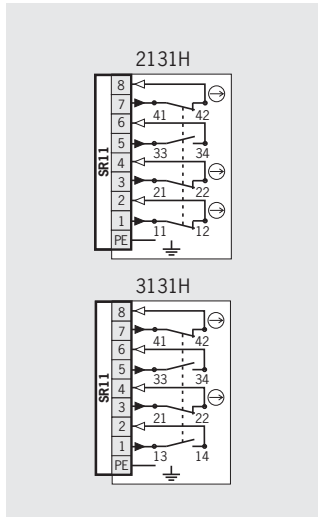
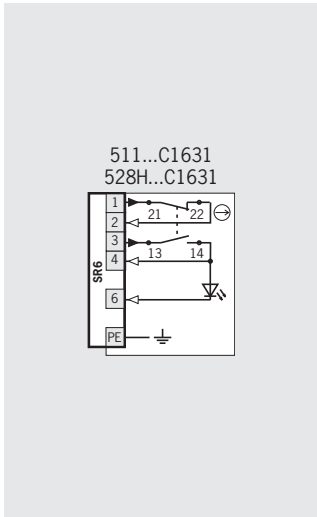
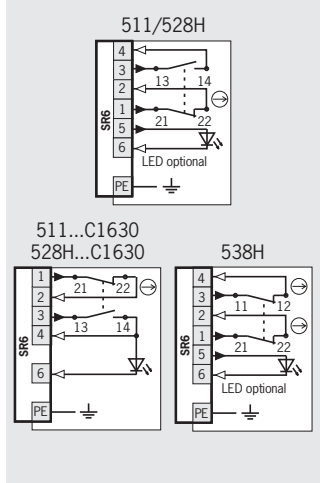


Plug connector MR9
8-pin + PE

Dimension drawings



Wiring diagrams Switch not actuated



Ordering table

Series	Actuator	Con- nection	Switching element	Version	Function display		
					Without LED	12-60 V red LED	12-60 V yellow LED
NZ	HB Lever arm	2 Plug con- nector SR6	511 ¹⁾ 1 NC ⊕ + 1 NO		089091 ¹⁾ NZ2HB-511	089092 ¹⁾ NZ2HB-511L060	090719 ¹⁾ NZ2HB-511L060GE
			511 ¹⁾ 1 NC ⊕ + 1 NO	C1630 Alternative wiring	-	-	054121 ¹⁾ NZ2HB-511L060C1630
			528H 1 NC ⊕ + 1 NO		090845 NZ2HB-528	090846 ¹⁾ NZ2HB-528L060	-
			528H 1 NC ⊕ + 1 NO	C1630 Alternative wiring	-	-	091346 NZ2HB-528L060C1630
			538H 2 NC ⊕		090847 NZ2HB-538	090848 NZ2HB-538L060	-
		2 Plug con- nector SR6 Angled	511 ¹⁾ 1 NC ⊕ + 1 NO	C1631 Alternative wiring	-	-	054122 ¹⁾ NZ2HB-511L060C1631
			528H 1 NC ⊕ + 1 NO	C1631 Alternative wiring	-	-	091347 NZ2HB-528L060C1631
			2131H 3 NC ⊕ + 1 NO		090136 NZ2HB-2131	-	-
		2 Plug con- nector SR11	3131H 2 NC ⊕ + 2 NO		090137 NZ2HB-3131	-	-
			1...9C Plug con- nector MR9	2131H 3 NC ⊕ + 1 NO		077390 NZ1HB-2131-9C-GMMF	-

1) No DGUV approval for switching element 511