

**MSC AZ-FO4/AZ-FO408 RELAY OUTPUT EXPANSION UNIT**

AZ-FO4 and AZ-FO408 are MSC family safety modules with 4 relay outputs and 4 relative inputs for external feedback contacts (EDM).

The modules communicate with the MSC-CB controller via the proprietary bus MSCB and provide the output contacts through their terminal blocks.

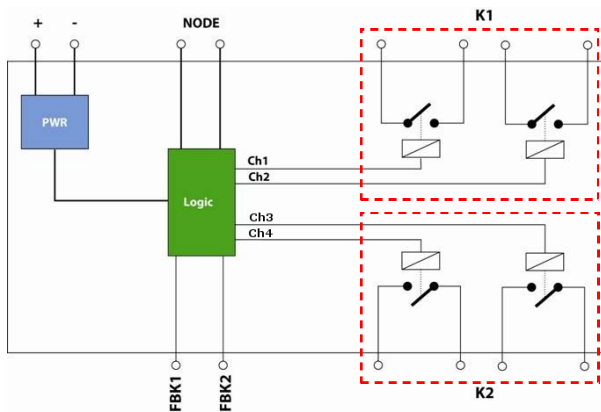
Two different output configurations (configurable with EUCHNER Safety Designer configuration software) can be set :

- \* Two double independent contacts (2 NO contacts per output with 2 NC contacts relative to feedback input).
- \* Four single independent contacts (1 NO contact for output with 1 NC contact relative to feedback input).

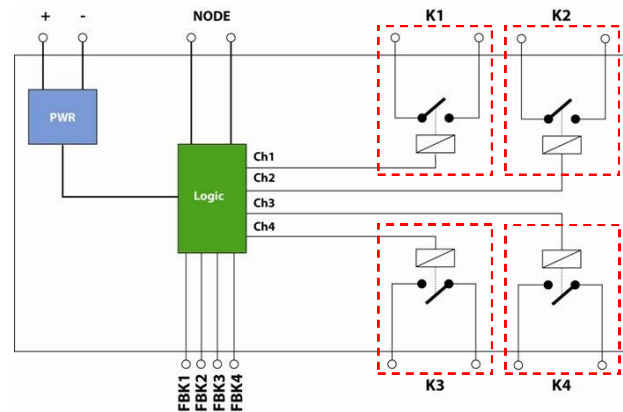


Only AZ-FO408 module has 8 programmable signal outputs.

*Safety modules AZ-FO4, AZ-FO408*

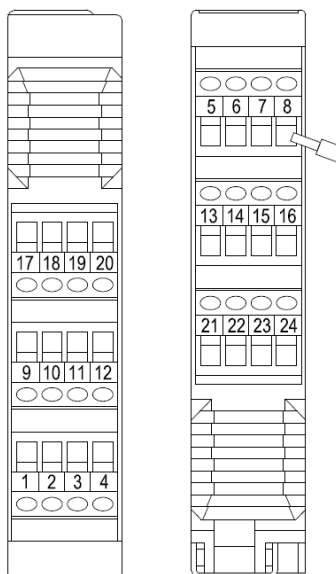


*Configuration with 2 independent dual channel outputs (safety category 4)*



*Configuration with 4 independent outputs (safety category 1-2)*

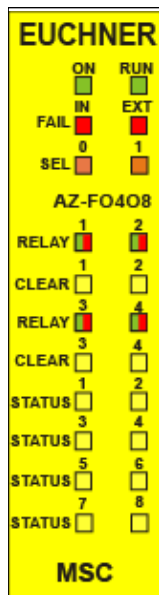
**Electrical connections**



TERMINAL BLOCK	AZ-FO4	AZ-FO408	SIGNIFICATO
1	24VDC	24VDC	24VDC power supply
2	NODE_SEL0	NODE_SEL0	Node selection
3	NODE_SEL1	NODE_SEL1	
4	0VDC	0VDC	0VDC power supply
5	REST_FBK1	REST_FBK1	Feedback/Restart 1
6	REST_FBK2	REST_FBK2	Feedback/Restart 2
7	REST_FBK3	REST_FBK3	Feedback/Restart 3
8	REST_FBK4	REST_FBK4	Feedback/Restart 4
9	A_NO1	A_NO1	N.O. contact Channel 1
10	B_NO1	B_NO1	
11	A_NO2	A_NO2	N.O. contact Channel 2
12	B_NO2	B_NO2	
13	A_NO3	A_NO3	N.O. contact Channel 3
14	B_NO3	B_NO3	
15	A_NO4	A_NO4	N.O. contact Channel 4
16	B_NO4	B_NO4	
17	-	SYS_STATUS1	Programmable output status 1
18	-	SYS_STATUS2	Programmable output status 2
19	-	SYS_STATUS3	Programmable output status 3
20	-	SYS_STATUS4	Programmable output status 4
21	-	SYS_STATUS5	Programmable output status 5
22	-	SYS_STATUS6	Programmable output status 6
23	-	SYS_STATUS7	Programmable output status 7
24	-	SYS_STATUS8	Programmable output status 8

Light signals

LED - NORMAL OPERATION						
RUN	IN FAIL	EXT FAIL	SEL 0/1	RELAY 1/4	CLEAR1/4	STATUS 1/8 (AZ-FO408)
GREEN	RED	RED	ORANGE	RED/GREEN	YELLOW	YELLOW
<p><b>OFF</b> the module waits the first communication from the MASTER</p> <p><b>BLINKING</b> configuration does not require the INPUT or OUTPUT from Module</p> <p><b>ON</b> configuration requires the INPUT or OUTPUT from Module</p>	<p><b>OFF</b> operation OK</p>	<p><b>OFF</b> operation OK</p>	<p>Shows the NODE_SEL0/1 selection  (Ref. MSC technical manual)</p>	<p><b>RED</b> with contact open</p> <p><b>GREEN</b> with contact closed</p>	<p><b>ON</b> waiting for RESTART</p> <p><b>BLINKING</b> NO feedback</p>	<p><b>ON</b> The associated SYSTEM STATUS output is active</p> <p><b>OFF</b> The associated SYSTEM STATUS output is NOT active</p>



Technical data

Module	AZ-FO4	AZ-FO408
Rated voltage	24VDC ± 20%	
Dissipated power <b>max</b>	3W max	
Switching voltage	240 VAC	
Switching current	6A max	
N.O. contacts	4	
INPUT FBK (EDM)	4	
Digital Status output	-	8
Mechanical life of contacts	> 40 x 10 <sup>6</sup>	
User connection	Terminal blocks (16)	Terminal blocks (24)
Connection to MSC-CB	Via MSCB bus	
Operating temperature	-10 ÷ 55°C	
Storage temperature	-20 ÷ 85°C	
Relative humidity	10% ÷ 95%	
Dimensions <b>(h x l x d)</b>	108 x 22,5 x 114,5 mm	

8540937 - 26/08/2013 - Rev. 1