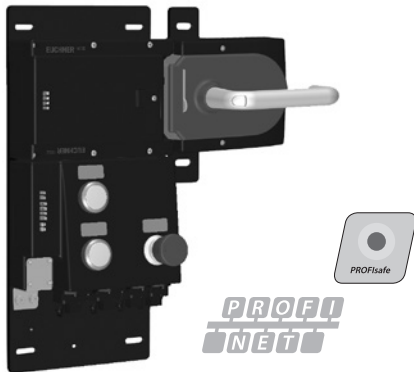


Locking sets MGB-L1...-PN... (guard locking by spring force) with 3 controls or indicators



Cat. 4
PLe



- ▶ Integrated controls and indicators
- ▶ Pre-assembled on mounting plates
- ▶ Integrated Profinet RT switch

Details

Profinet connection

Connection via push-pull plugs according to IEC 61076-3-117, variant 14, or 7/8" plugs according to ANSI/B93.55M-1981 and M12 plugs according to IEC 61076-2-101.

Profinet RT switch

Point-to-point topology network structure due to integrated RT switch.

Flexible usage as interlocking or guard locking

By means of the corresponding evaluation of the safe device data by the control system, usage can be as either interlocking or guard locking (with or without monitoring).

Illuminated emergency stop

Emergency stop with illumination that can be controlled as required.

Lens set

The color of the pushbutton can be selected using the lens set 120344 included.

Further information

- ▶ Dimension drawings see p. 121
- ▶ Technical data see p. 120
- ▶ Accessories and spare parts see p. 93
- ▶ www.euchner.com

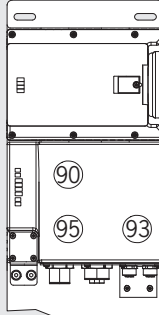



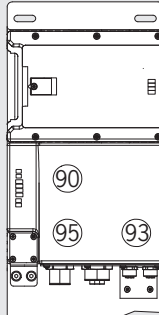
Ordering table

Modules in the set					Ordering data, set			
Version/configuration scheme Order no. module combination	Controls and indicators			Data ranges	Handle module Order no. separate module	Escape release Order no. separate module	Door hinge (factory setting)	Order no./item
	S93 H93	S90 H90	S95 H95					
121851 Incl. adhesive labels, push-pull plugs				A	106049	-	Right	121852 MGB-L1HB-PNA-R-121852 (Modules pre-assembled on mounting plates)
121855 Incl. adhesive labels, push-pull plugs		*)	*)					

* The color can be selected using the lens set included.

(Continued on next page)

Ordering table (continued)

Modules in the set				Ordering data, set				
Version/configuration scheme Order no. module combination	Controls and indicators			Data ranges	Handle module Order no. separate module	Escape release Order no. separate module	Door hinge (Factory setting)	Order no./item
	S93 H93	S90 H90	S95 H95					
<p>121857</p>  <p>Pre-assembled on mounting plate, incl. adhesive labels, 7/8" plugs and M12 plugs</p>		 <p>*)</p>	 <p>*)</p>	A	106049 Pre-assembled on mounting plate	-	Right	<p>121858 MGB-L1HB-PNA-R-121858</p>
<p>121861</p>  <p>Pre-assembled on mounting plate, incl. adhesive labels, 7/8" plugs and M12 plugs</p>					106221 Pre-assembled on mounting plate		Left	<p>121862 MGB-L1HB-PNA-L-121862</p>

* The color can be selected using the lens set included.

Locking sets MGB-L1...-PN... (guard locking by spring force) with 3 controls or indicators



Cat. 4
PLe



Data ranges

You will require the corresponding GSD file in GSDML format in order to integrate the MGB system:
GSDML-Vx.x-EUCHNER-MGB_110026-YYYYMMDD.xml

You will find the GSD file in the download area at www.euchner.com.

Prior to setup, the GSD file must be imported into the configuration software of the control system (see manual for your control system).

PROFINET data bytes

(unsafe input/output area)

A

Assignment in input area of the bus master

Slot 1/byte 0	-	-	S95.1	-	-	-	-	S90.1
Slot 1/byte 1	-	-	-	-	-	-	-	-
Slot 2/byte 0	-	-	-	-	-	-	-	S93
Slot 3/byte 0	ÜK	SK	-	-	-	R	R	T
Slot 4/byte 0	I24	-	-	-	-	I19	I18	I17
Slot 1/byte 0	Pushbutton S90 - S95 1st contact							
Slot 1/byte 1	Pushbutton S90 - S95 2nd contact							
Slot 2/byte 0	Emergency stop monitoring contact							
Slot 3/byte 0	Locking module							
Slot 4/byte 0	Diagnostic module							

Assignment in output area of the bus master

Slot 1/byte 0	-	-	H95	-	-	-	-	H90
Slot 2/byte 0	-	-	-	-	-	-	-	H93
Slot 3/byte 0	-	-	-	-	-	-	-	Sol.
Slot 4/byte 0	-	-	-	-	-	-	O18	O17
Slot 1/byte 0	LEDs H90 - H95							
Slot 2/byte 0	Emergency stop LED							
Slot 3/byte 0	Guard locking solenoid							
Slot 4/byte 0	Diagnostic module							

PROFIsafe data bytes

(safe input/output area)

A

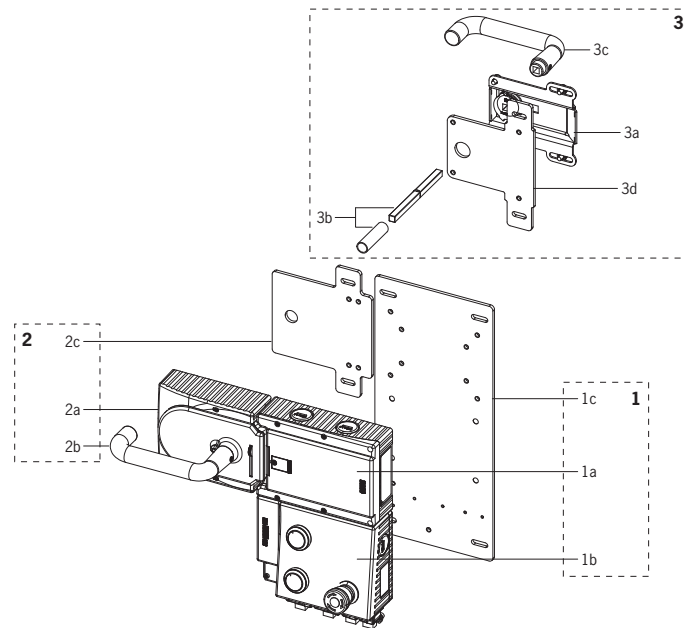
Assignment of PROFIsafe in input area of the bus master

Byte n+0	-	-	-	SI5	SI4	SI3	-	SI1
Byte n+1	-	-	-	-	-	-	SI10	SI9
Byte n+2	PROFIsafe internal (control byte)							
Byte n+3	PROFIsafe internal (ser. no.)							
Byte n+4	PROFIsafe internal (CRC2)							
Byte n+5	PROFIsafe internal (CRC2)							
SI1	Emergency stop S93							
SI3	Door position (T)							
SI4	Bolt position (R)							
SI5	Guard locking (Z)							
SI9	SK (T AND R)							
SI10	ÜK (T AND R AND Z)							

Assignment of PROFIsafe in output area of the bus master

Byte n+0	-	-	-	-	-	-	-	SO1
Byte n+1	-	-	-	-	-	-	-	-
Byte n+2	PROFIsafe internal (control byte)							
Byte n+3	PROFIsafe internal (ser. no.)							
Byte n+4	PROFIsafe internal (CRC2)							
Byte n+5	PROFIsafe internal (CRC2)							
SO1	Guard locking solenoid							

System components and spare parts



Ordering table for system components, spare parts and accessories

Notice: It is only possible to order spare parts that are given in the following ordering table with an order number.

Item	Designation	Use/description	Order No./item	
1	System unit MGB-L1B-... (guard locking by spring force)	For doors hinged on the left	121855 MGB-L1B-PNAL-121855	
		For doors hinged on the right	121861 MGB-L1B-PNAL-121861	
	comprising:			
	1a	- Evaluation module		-
1b	- Bus module		-	
1c	- Mounting plate			
2	Handle module MGB-H-... comprising:	For doors hinged on the left	106221 MGB-HAA1A2-L-106221	
		For doors hinged on the right	106049 MGB-HAA1A2-R-106049	
	2a	- Handle module		-
	2b	- Door handle	Color silver	123926 MGB-A-DOORHANDLE-S2-123926
2c	- Mounting plate	For handle module MGB-H-...	109491 MGB-A-MOUNTINGPLATE-H-109491	
3	Escape release MGB-E-... comprising:		106051 MGB-E-A2-106051	
		3a	- Escape release	-
	3b	- Escape release shaft	Standard length 118 mm (square 8x8 mm + sleeve)	-
		- Long escape release shaft (instead of item 3b)	Length 250 mm (square 8x8 mm + sleeve 182 mm long)	106761 MGB-A-ESCAPERELEASESHAFT 250
	3c	- Door handle	Color red	110276 MGB-A-DOORHANDLE-R-110276
3d	- Mounting plate	For escape release MGB-E-...	109492 MGB-A-MOUNTINGPLATE-E-109492	

MGB-PN