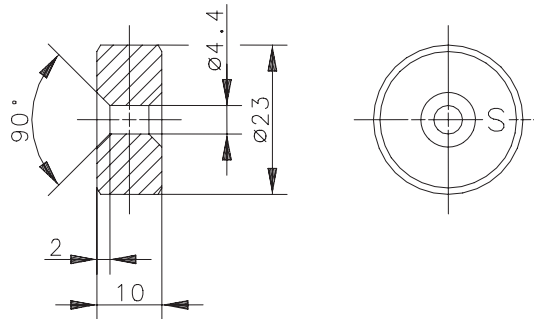


Magnetic Switch

Switching magnet


Description **T-62 N/S**

Article number **6301262074**



Identifying characteristics

Mechanical data	
Magnet	Hartferrit 24/16; axial magnetisation; marking on the south pole side
Ambient air temperature	-40 °C ... +150 °C
Application	general use
Torque	2 Nm ± 0,25 Nm (with attached mounting material)

Approvals	
	
	UL Listed, Ind. Cont. Eq.